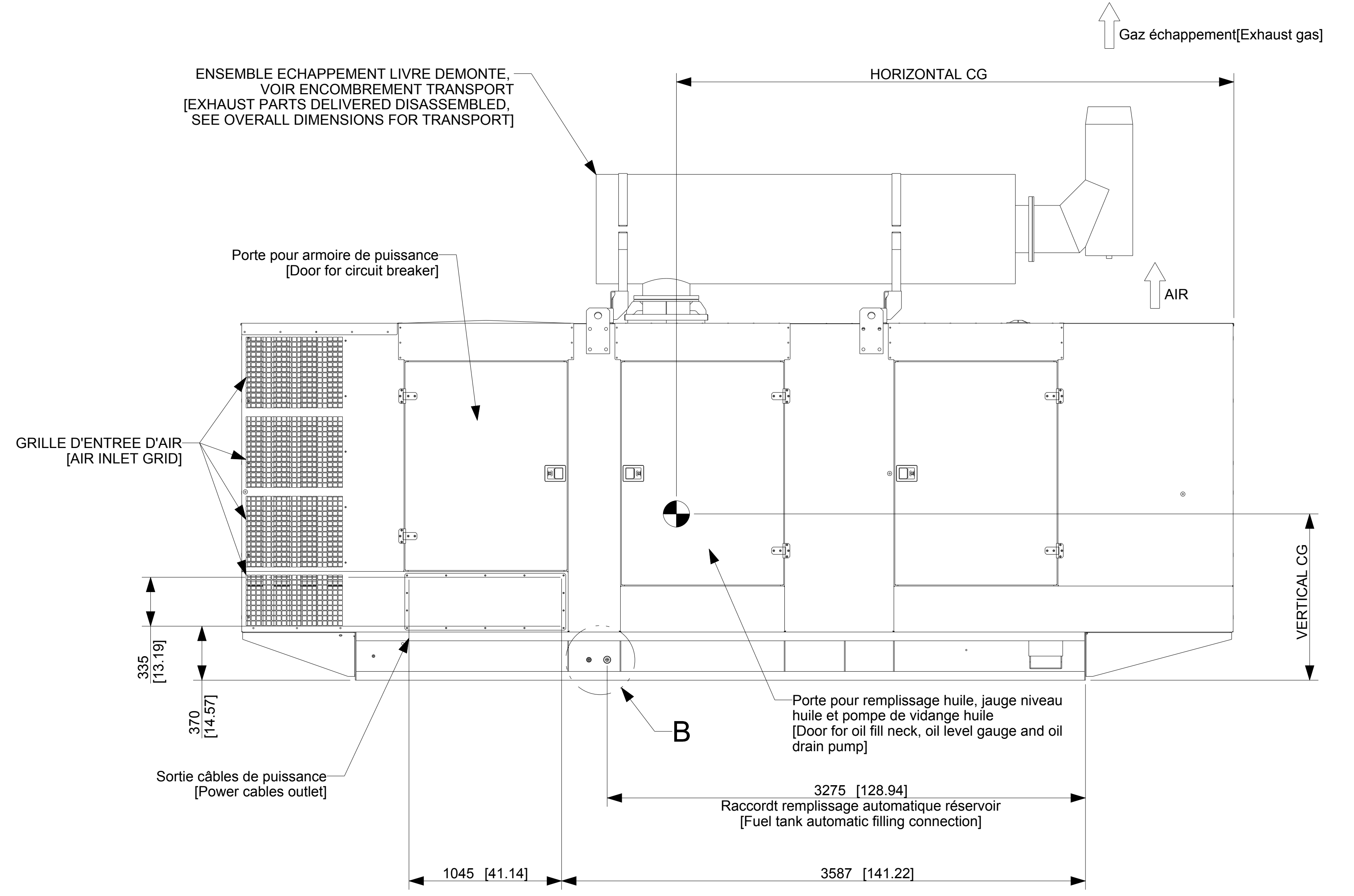
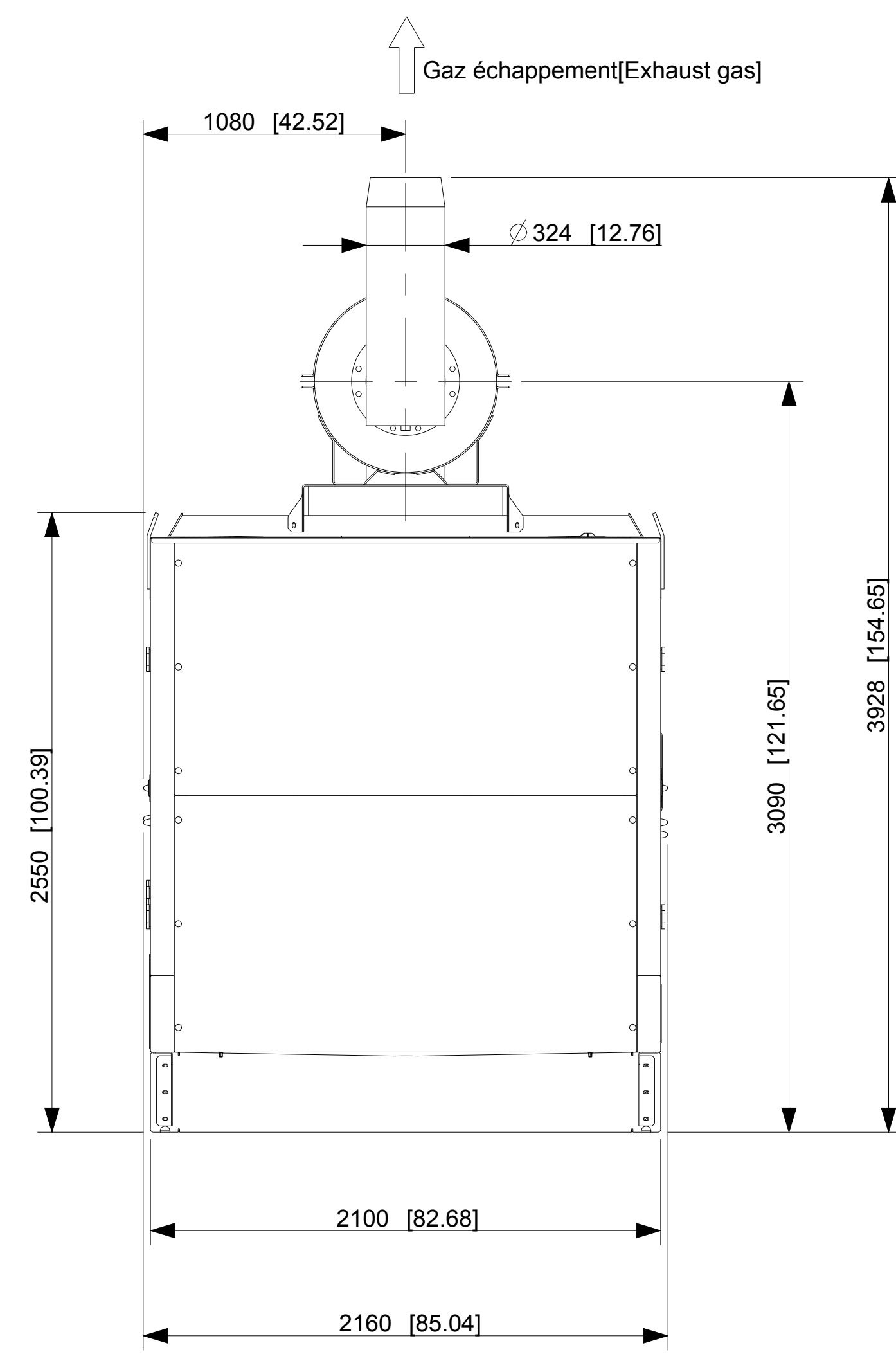
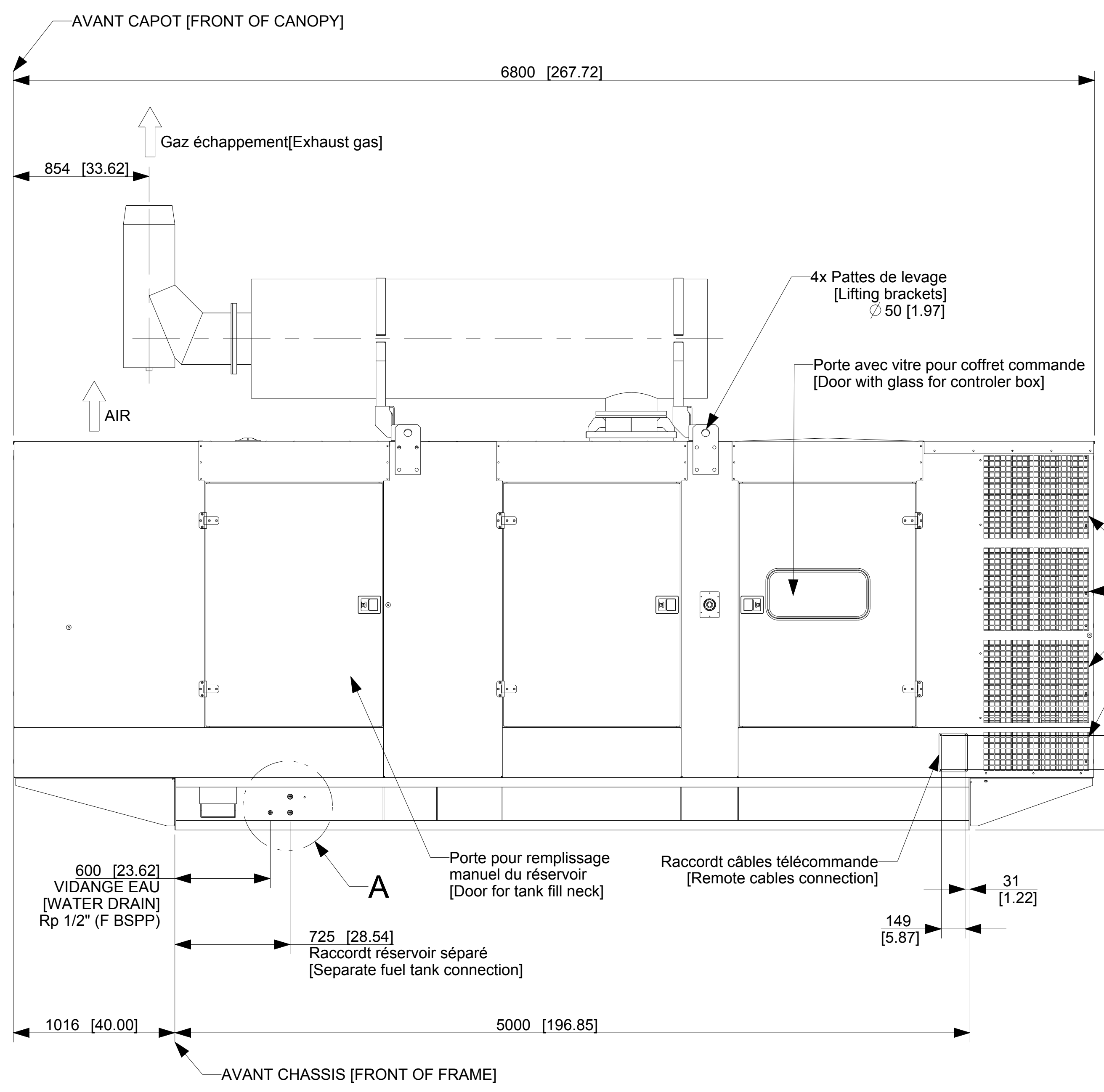
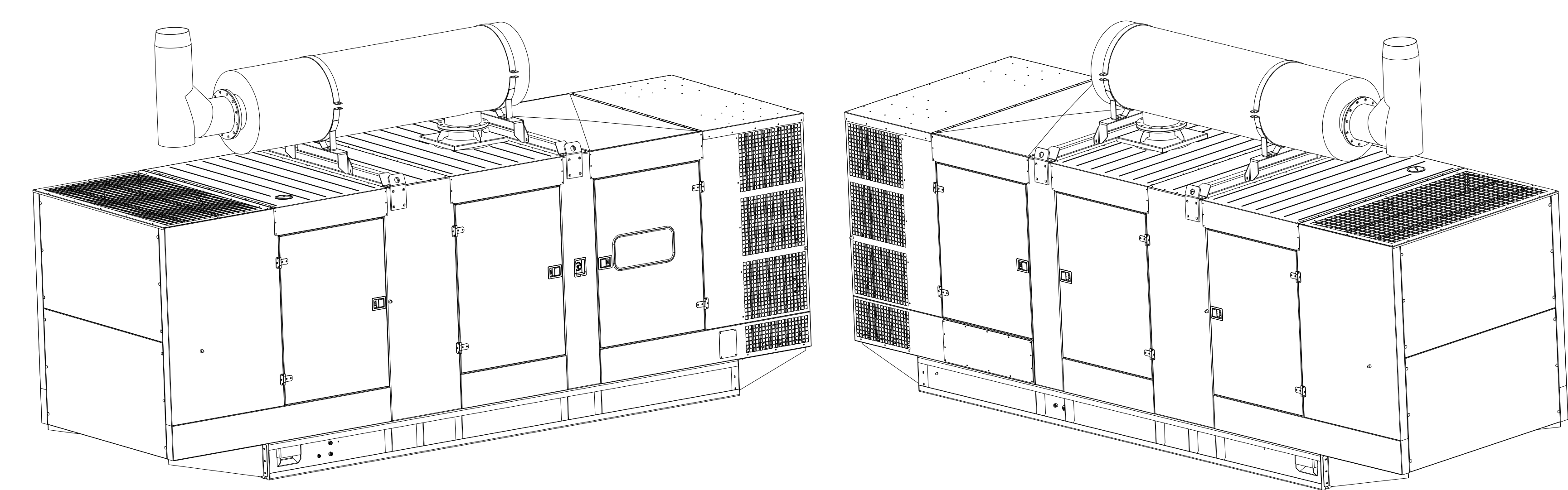
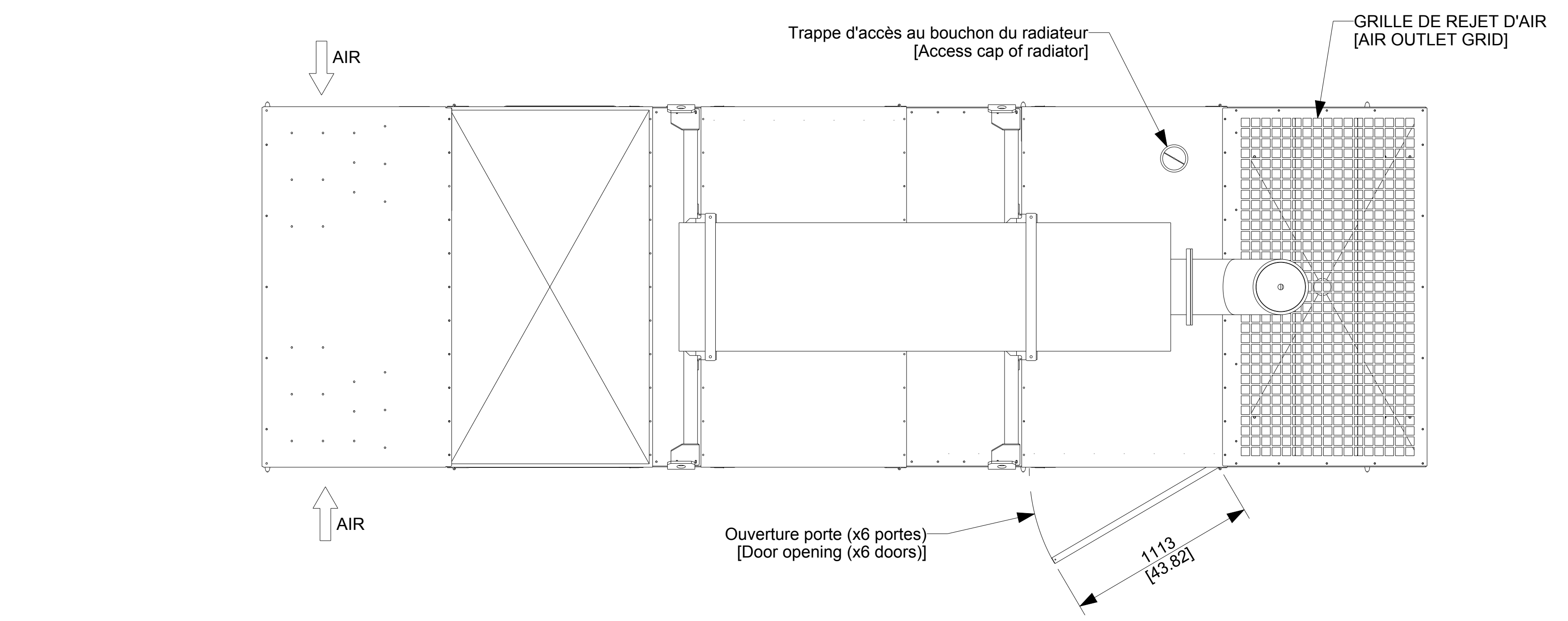
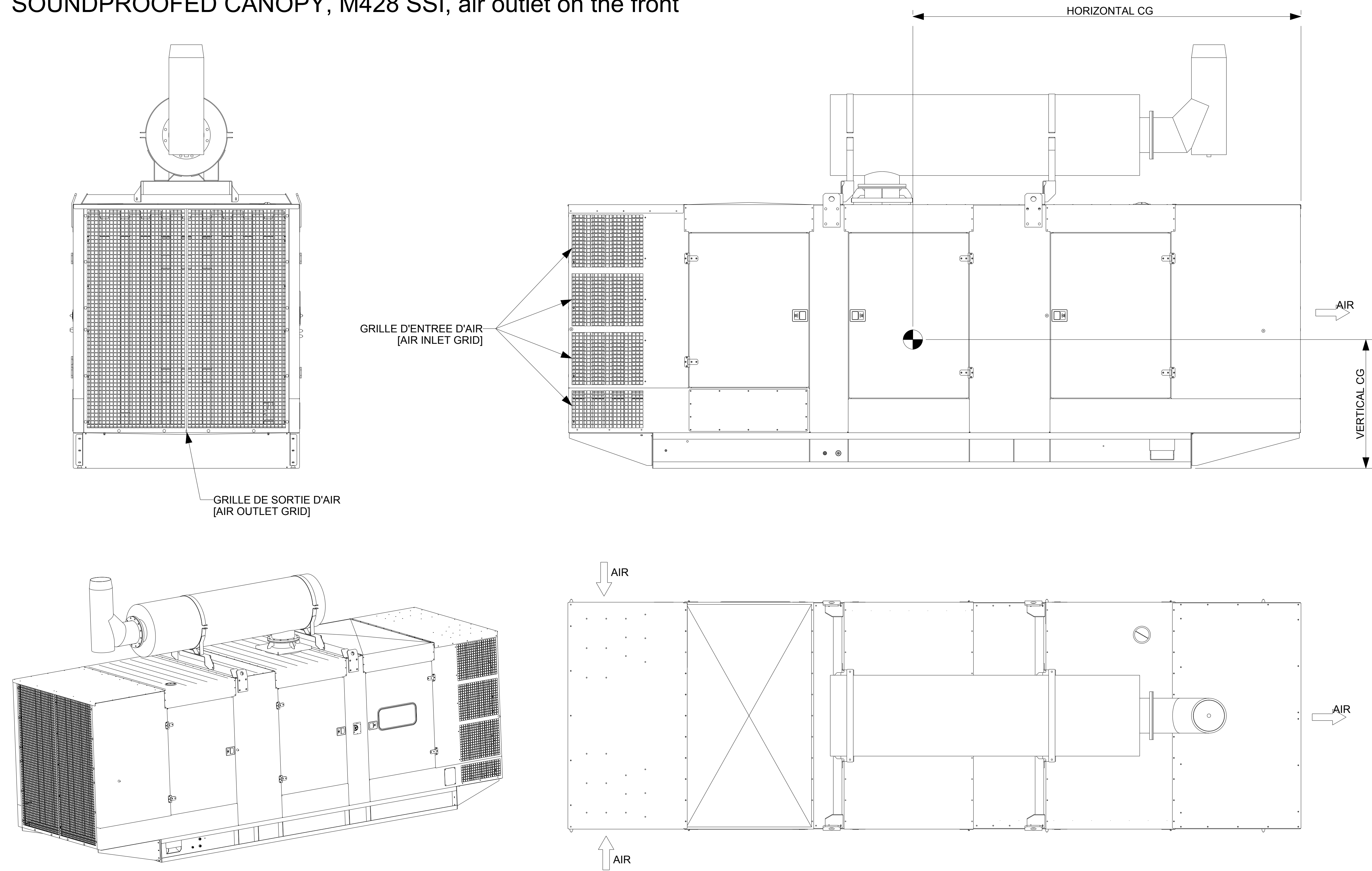


**CAPOT INSONORISE, M428 SI, rejet d'air vers le haut**  
**SOUNDPROOFED CANOPY, M428 SI, air outlet on the top**



**CAPOT INSONORISE, M428 SSI, rejet d'air vers l'avant**  
**SOUNDPROOFED CANOPY, M428 SSI, air outlet on the front**



- Dimensions entre [ ] sont en Inch  
 Dimensions in [ ] are english equivalents

- Voir Feuille 2 pour / See Sheet 2 for  
 - DETAIL A  
 - DETAIL B  
 - Empreinte au sol groupe / Genset ground footprint  
 - Option gaine de rejet d'air / Optional air outlet duct  
 - Option bac de rétention / Optional retention bund  
 - Encombrement transport / Overall dimensions for transport
- Voir Feuille 3 pour / See Sheet 3 for  
 - Tableau des masses / Table of weights

Ce plan vous est remis à titre indicatif et peut-être révisé sans préavis.  
 This drawing is for informational purposes only and maybe changed without notice.

REV	DATE	ON COMPOSITE DWGS. SEE PART NO. FOR REVISION LEVEL	BY	DO NOT SCALE. REFERENCE THE MODEL FOR ALL UNSPECIFIED DIMENSIONS
-	17.09.19	NOUVEAU DOCUMENT (NEW DRAWING)	LLG	UNLESS OTHERWISE SPECIFIED - 1) DIMENSIONS ARE IN MILLIMETERS 2) TOLERANCES ARE: ISO2768-mK
B	30.09.19	AJOUT SANS RESERVOIR DANS TABLEAU DES MASSES ADDED W/O FUEL TANK IN TABLES OF WEIGHTS	LLG	

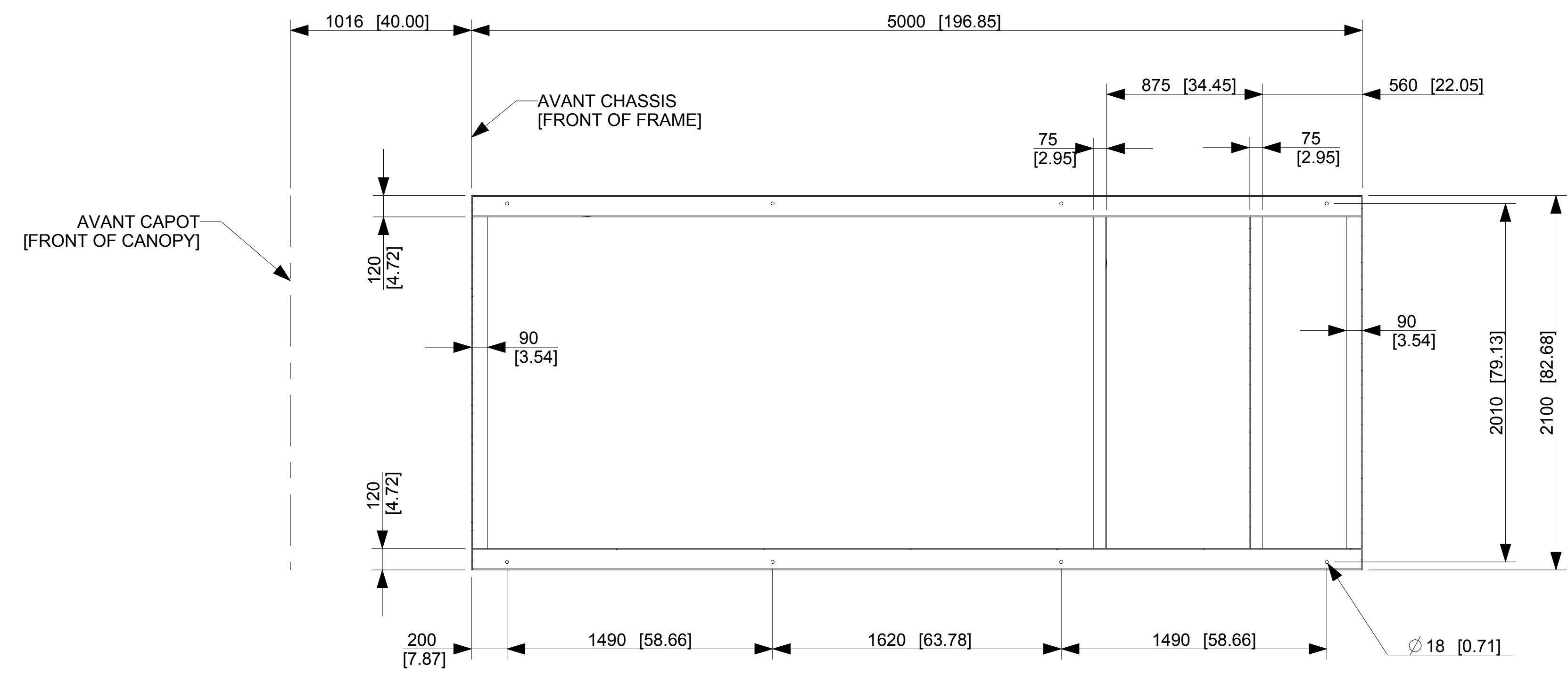
  

APPROVALS	DATE	SCALE	SHEET
DESIGNED	30 Sep 19	1:20	1 of 3
CHECKED			
APPROVED			

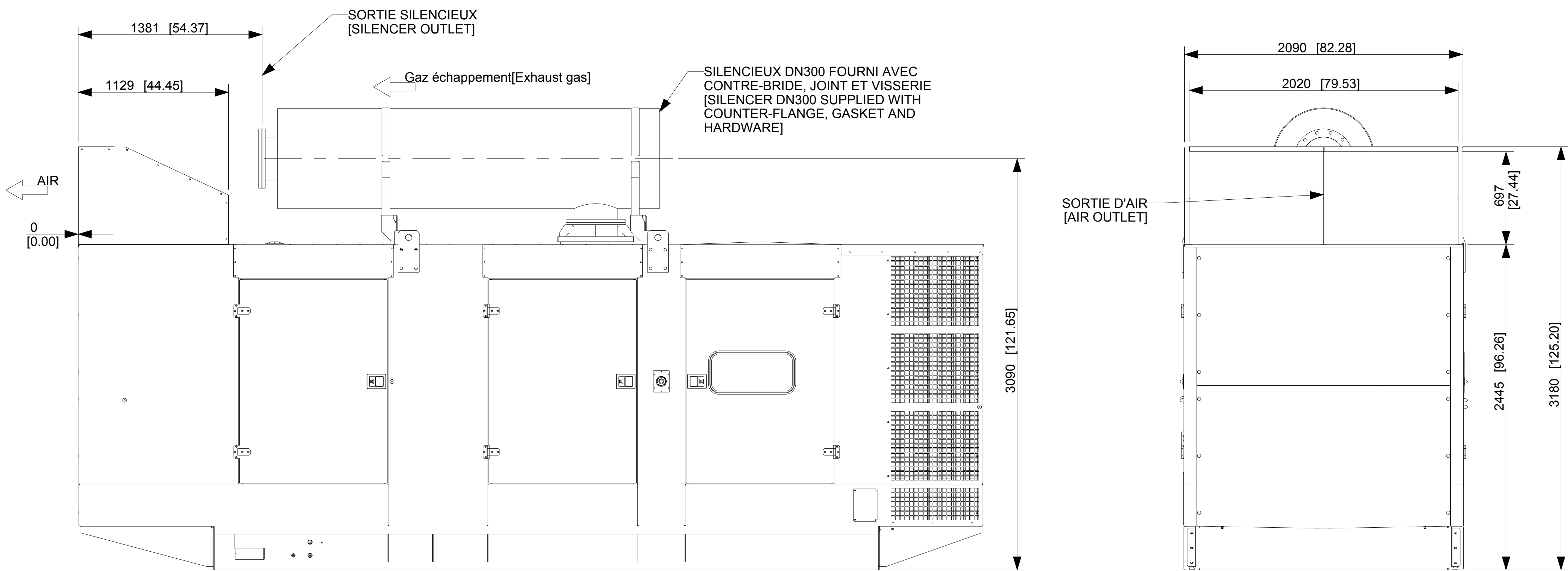
TITLE	SCALE	REV	SIZE
DIMENSION PRINT, M428, MI	1:20		A0
CAD NO: 30001529901			
DWG NO: 30001529901			

**EMPREINTE AU SOL DU GROUPE  
[GENSET GROUND FOOTPRINT]**

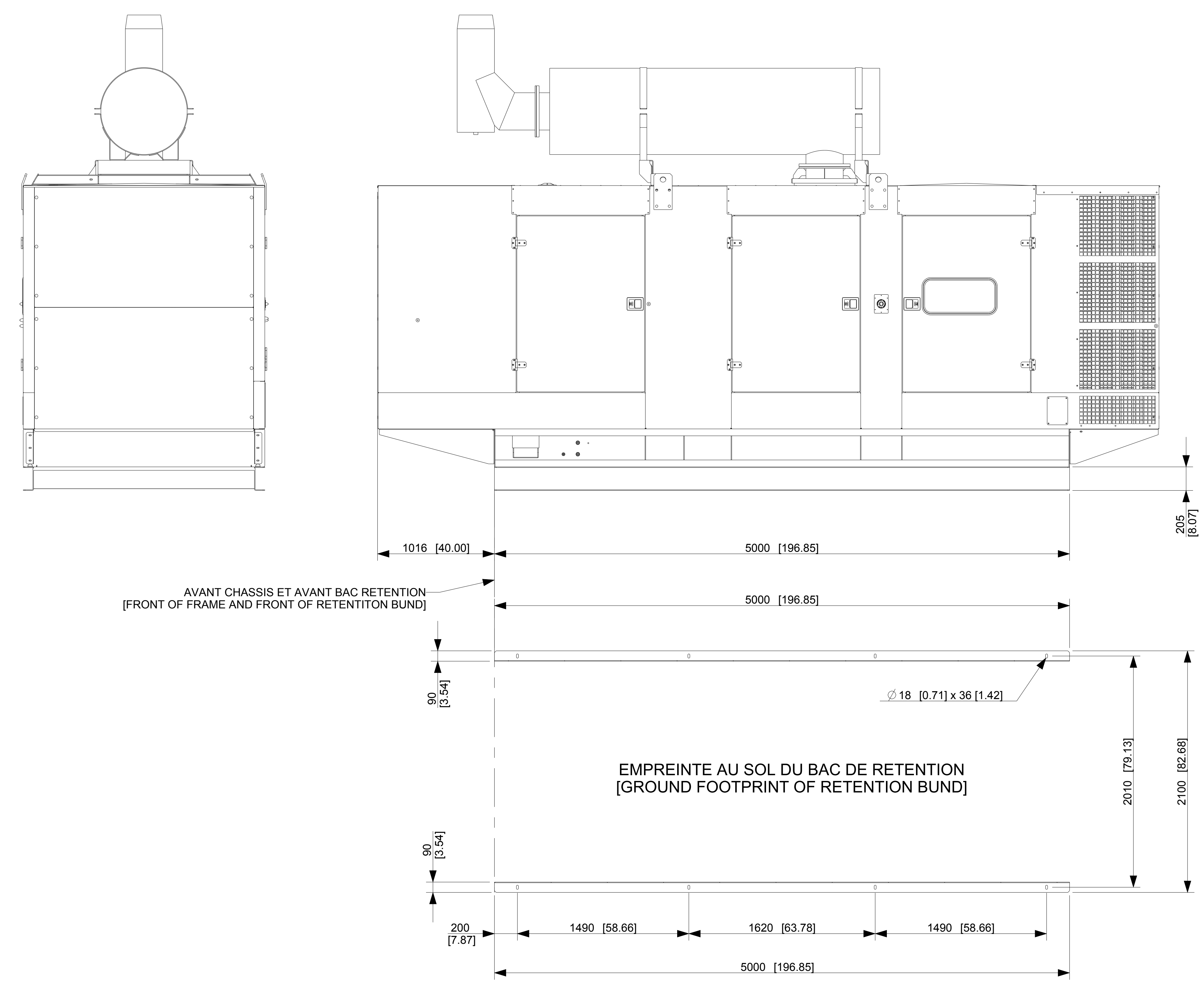


**OPTION: GAINÉ REJET D'AIR POUR M428 SI  
[OPTIONAL: AIR OUTLET DUCT FOR M428 SI]**  
MASSE [WEIGHT] : 80 Kg / 176 lbs

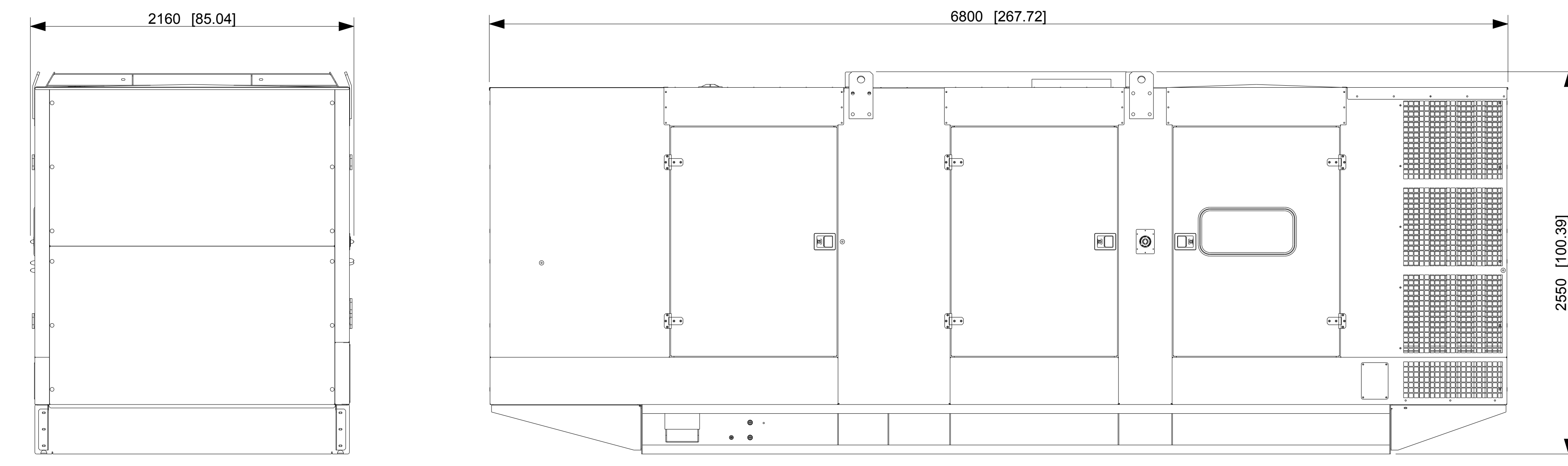
GAINÉ ET ENSEMBLE ÉCHAPPEMENT LIVRÉ DÉMONTÉ, VOIR ENCOMBREMENT TRANSPORT  
[DUCT AND EXHAUST PARTS DELIVERED DISASSEMBLED, SEE OVERALL DIMENSIONS FOR TRANSPORT]



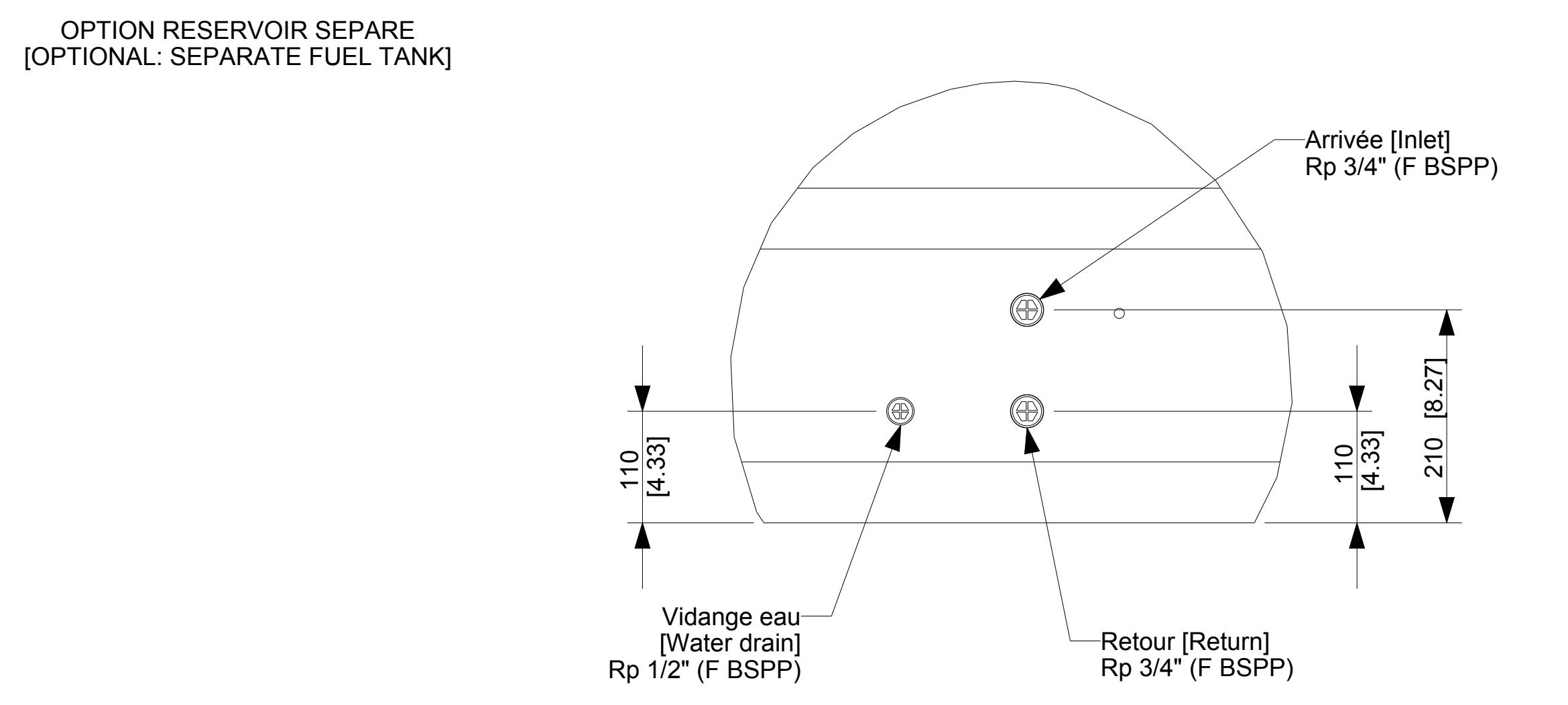
**OPTION: BAC DE RETENTION  
[OPTIONAL: RETENTION BUND]**  
MASSE [WEIGHT] : 450 Kg / 992 lbs



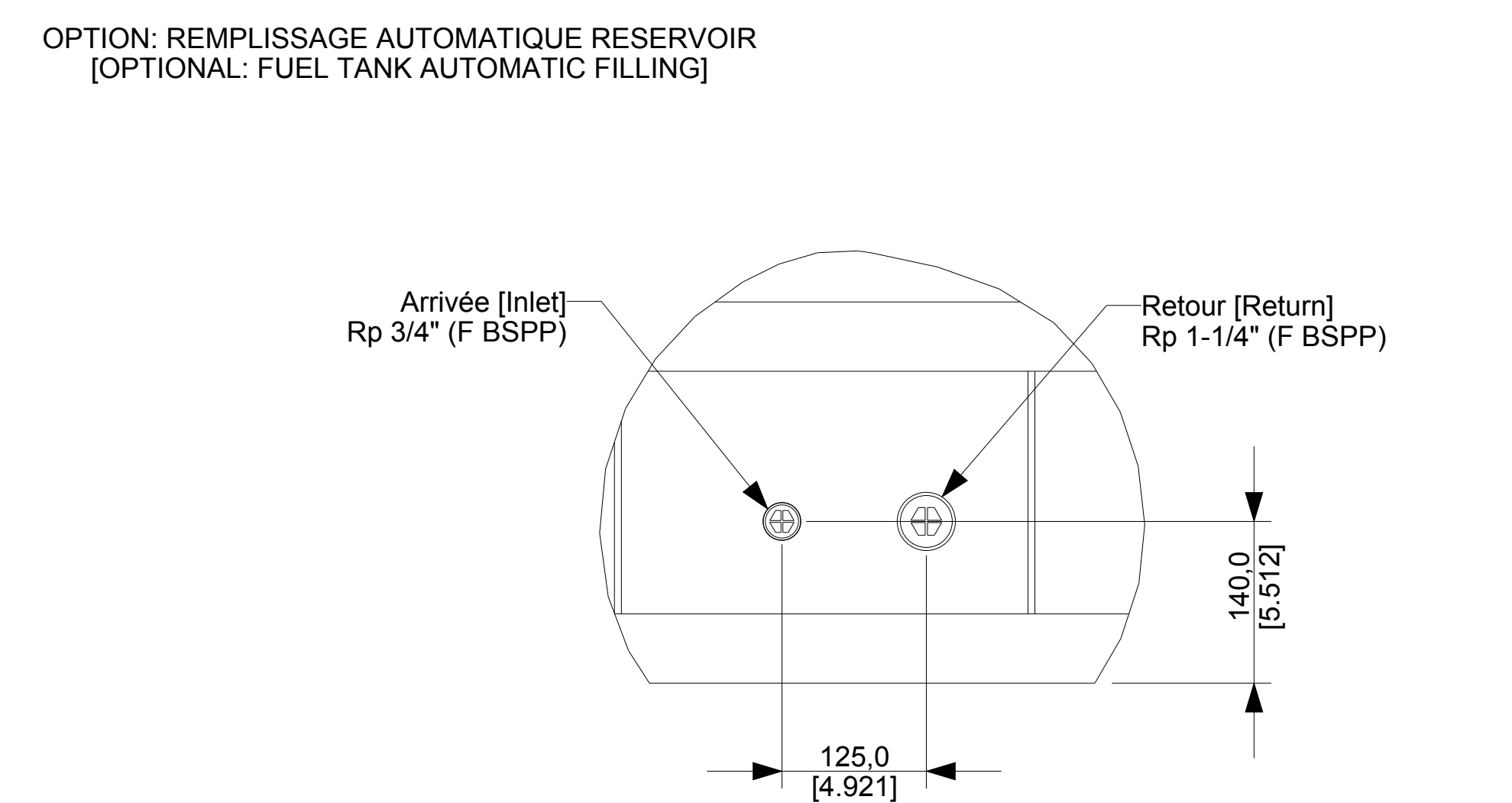
**ENCOMBREMENT GROUPE POUR TRANSPORT  
[GENSET OVERALL DIMENSIONS FOR TRANSPORT]**  
MASSE [WEIGHT] : A VIDE [DRY] + 400Kg / 882 lbs



**DETAIL A  
(1:5)**



**DETAIL B  
(1:5)**



- Dimensions entre [ ] sont en Inch  
Dimensions in [ ] are english equivalents  
Ce plan vous est remis à titre indicatif et peut-être révisé sans préavis.  
This drawing is for informational purposes only and maybe changed without notice.

REV	DATE	ON COMPOSITE DWGS. SEE PART NO. FOR REVISION LEVEL	BY	DO NOT SCALE. REFERENCE THE MODEL FOR ALL UNSPECIFIED DIMENSIONS
-	17.09.19	NOUVEAU DOCUMENT (NEW DRAWING)	LLG	UNLESS OTHERWISE SPECIFIED - 1) DIMENSIONS ARE IN MILLIMETERS 2) TOLERANCES ARE: ISO2768-mK
B	30.09.19	AJOUT SANS RESERVOIR DANS TABLEAU DES MASSES ADDED W/O FUEL TANK IN TABLES OF WEIGHTS	LLG	

APPROVALS	DATE	TITLE	SCALE	SHEET
L. LEGUYADER	30-Sep-19	DIMENSION PRINT, M428, MI	1:20	2 of 3
APPROVED		CAD NO: 30001529901	REV	SIZE
		DWG NO: 30001529901	A	A0

KOHLER  
SDMO  
 270 rue de Kerenann - 29490 Guipavas  
 CS 42047 - 29801 Brest Cedex 9 - France  
 THIS DRAWING IS UNDER PROPERTY OF THE COMPANY.  
 IT CANNOT BE PRINTED, USED OR COMMUNICATED WITHOUT ITS AUTHORIZATION.

MOTEUR ENGINE	ALTERNATEUR ALTERNATOR	CAPOT / CANOPY M428 SI								CAPOT / CANOPY M428 SSI							
		MASSE / WEIGHT (kg/lbs) - ± 5%				CdG / COG (mm / Inch)				MASSE / WEIGHT (kg/lbs) - ± 5%				CdG / COG (mm / Inch)			
		Avec réservoir / With fuel tank		Sans réservoir / W/O fuel tank		Avec réservoir / With fuel tank		Sans réservoir / W/O fuel tank		Avec réservoir / With fuel tank		Sans réservoir / W/O fuel tank		Avec réservoir / With fuel tank		Sans réservoir / W/O fuel tank	
		A Vide / Dry	OdM / Wet	A Vide / Dry	OdM / Wet	Horizontal CG	Vertical CG	Horizontal CG	Vertical CG	A Vide / Dry	OdM / Wet	A Vide / Dry	OdM / Wet	Horizontal CG	Vertical CG	Horizontal CG	Vertical CG
S12R-PTA 50Hz  S12R-PTA-3	KH04070T	12430 / 27403	13850 / 30534	12430 / 27403	12940 / 28528	3370 / 132.7	1030 / 40.6	3390 / 133.5	1090 / 42.9	12570 / 27712	13990 / 30843	12570 / 27712	13090 / 28859	3350 / 131.9	1030 / 40.6	3370 / 132.7	1090 / 42.9
	KH04830T	12700 / 27999	14120 / 31129	12700 / 27999	13220 / 29145	3410 / 134.3	1020 / 40.2	3430 / 135.0	1080 / 42.5	12850 / 28329	14260 / 31438	12850 / 28329	13360 / 29454	3380 / 133.1	1020 / 40.2	3400 / 133.9	1080 / 42.5
	KH05520T	13010 / 28682	14420 / 31791	13010 / 28682	13520 / 29807	3440 / 135.4	1020 / 40.2	3470 / 136.6	1070 / 42.1	13150 / 28991	14570 / 32121	13150 / 28991	13670 / 30137	3420 / 134.6	1020 / 40.2	3440 / 135.4	1080 / 42.5
	KH03890T	12690 / 27977	14100 / 31085	12690 / 27977	13200 / 29101	3390 / 133.5	1020 / 40.2	3420 / 134.6	1080 / 42.5	12830 / 28285	14250 / 31416	12830 / 28285	13340 / 29410	3370 / 132.7	1030 / 40.6	3390 / 133.5	1080 / 42.5
S12R-PTA2 50Hz	KH04450T	12910 / 28462	14390 / 31725	12910 / 28462	13430 / 29608	3420 / 134.6	1020 / 40.2	3440 / 135.4	1080 / 42.5	13060 / 28792	14470 / 31901	13060 / 28792	13570 / 29917	3390 / 133.5	1020 / 40.2	3410 / 134.3	1080 / 42.5
	KH05520T	13010 / 28682	14420 / 31791	13010 / 28682	13520 / 29807	3440 / 135.4	1020 / 40.2	3470 / 136.6	1070 / 42.1	13150 / 28991	14570 / 32121	13150 / 28991	13670 / 30137	3420 / 134.6	1020 / 40.2	3440 / 135.4	1080 / 42.5
	KH04450T	12910 / 28462	14390 / 31725	12910 / 28462	13430 / 29608	3420 / 134.6	1020 / 40.2	3440 / 135.4	1080 / 42.5	13060 / 28792	14470 / 31901	13060 / 28792	13570 / 29917	3390 / 133.5	1020 / 40.2	3410 / 134.3	1080 / 42.5
	KH05090T	13200 / 29101	14610 / 32210	13200 / 29101	13710 / 30225	3450 / 135.8	1020 / 40.2	3480 / 137.0	1070 / 42.1	13340 / 29410	14760 / 32540	13340 / 29410	13860 / 30556	3430 / 135.0	1020 / 40.2	3450 / 135.8	1070 / 42.1

REV	DATE	ON COMPOSITE DWGS. SEE PART NO. FOR REVISION LEVEL	BY	DO NOT SCALE. REFERENCE THE MODEL FOR ALL UNSPECIFIED DIMENSIONS
-	17.09.19	NOUVEAU DOCUMENT (NEW DRAWING)	LLG	UNLESS OTHERWISE SPECIFIED - 1) DIMENSIONS ARE IN MILLIMETERS 2) TOLERANCES ARE: ISO2768-MS
B	30.09.19	AJOUT SANS RESERVOIR DANS TABLEAU DES MASSES ADDED W/O FUEL TANK IN TABLES OF WEIGHTS	LLG	<b>KOHLER</b> <b>SDMO</b> SDMO Industries 270 rue de Kerenem - 29490 Guipavas CS 42047 - 29011 Brest Cedex 9 - France
				FIRST ANGLE PROJECTION
				THIS DRAWING IS UNDER PROPERTY OF THE COMPANY. IT CANNOT BE PRINTED, USED OR COMMUNICATED WITHOUT ITS AUTHORIZATION.
				TITLE <b>DIMENSION PRINT, M428, MI</b>
APPROVALS	DATE	CAD NO: 30001529901	SCALE: 1:20	SHEET: 3 of 3
DRAWN: L. LEQUYADER	30 Sep 19			REV:   SIZE:
CHECKED: ---	---			A   A0
APPROVED: ---	---	DWG NO: 30001529901		