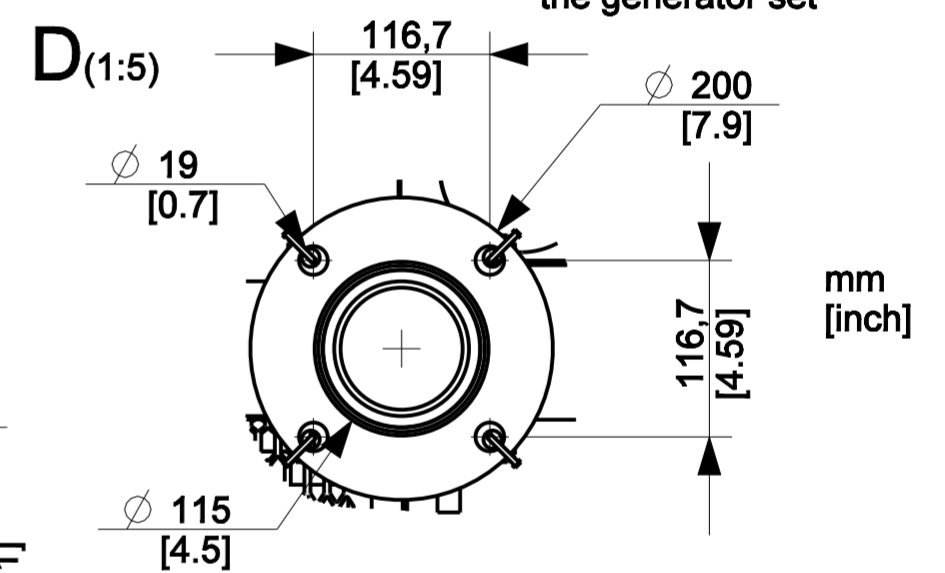
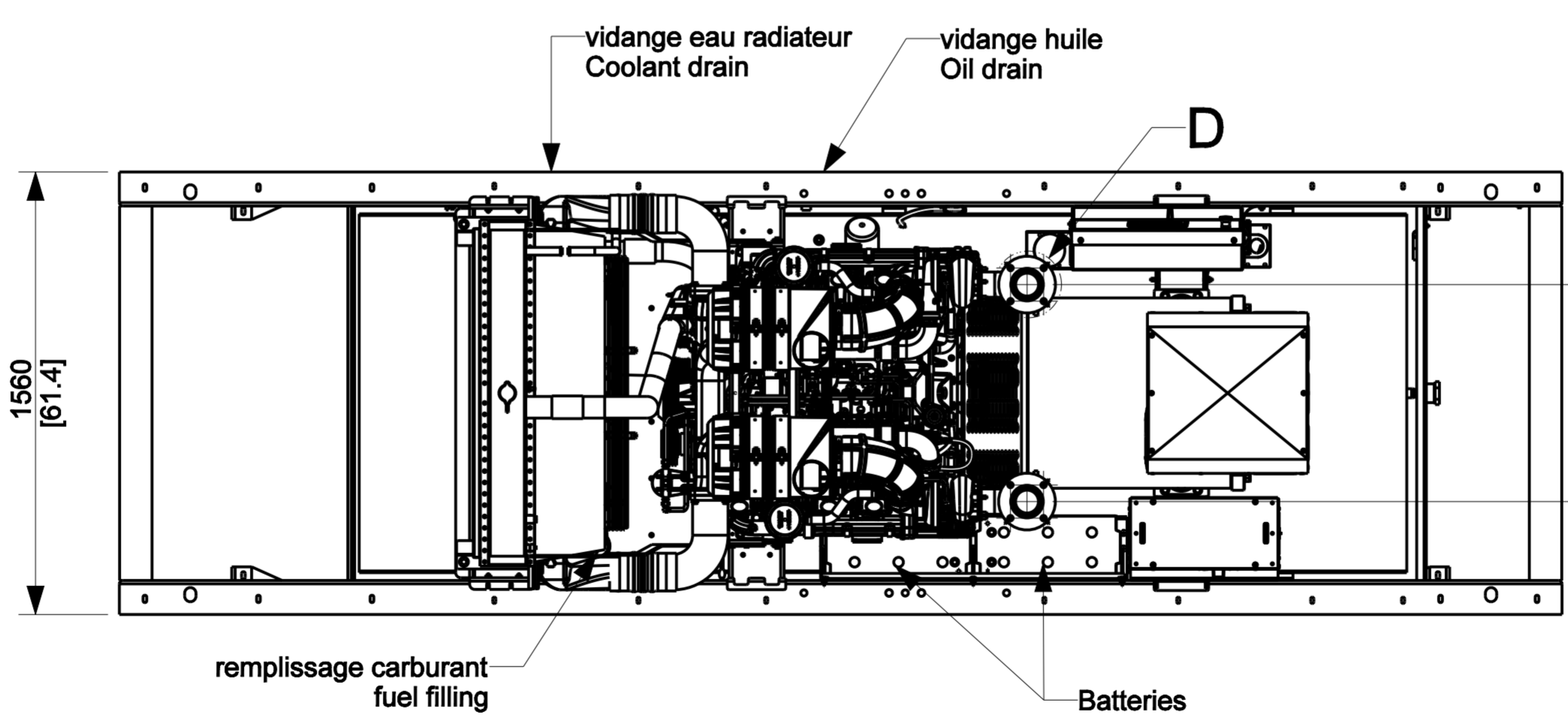
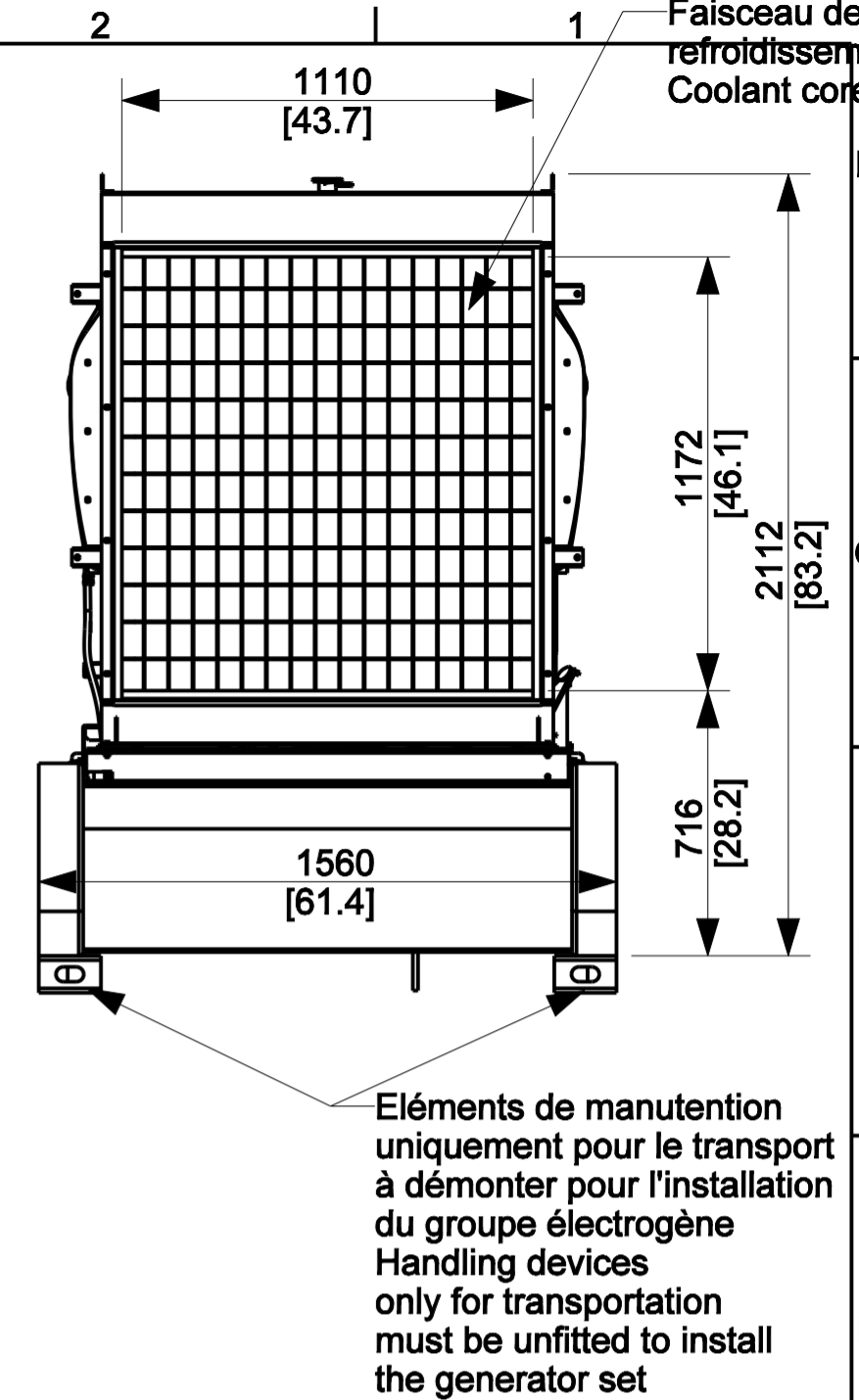
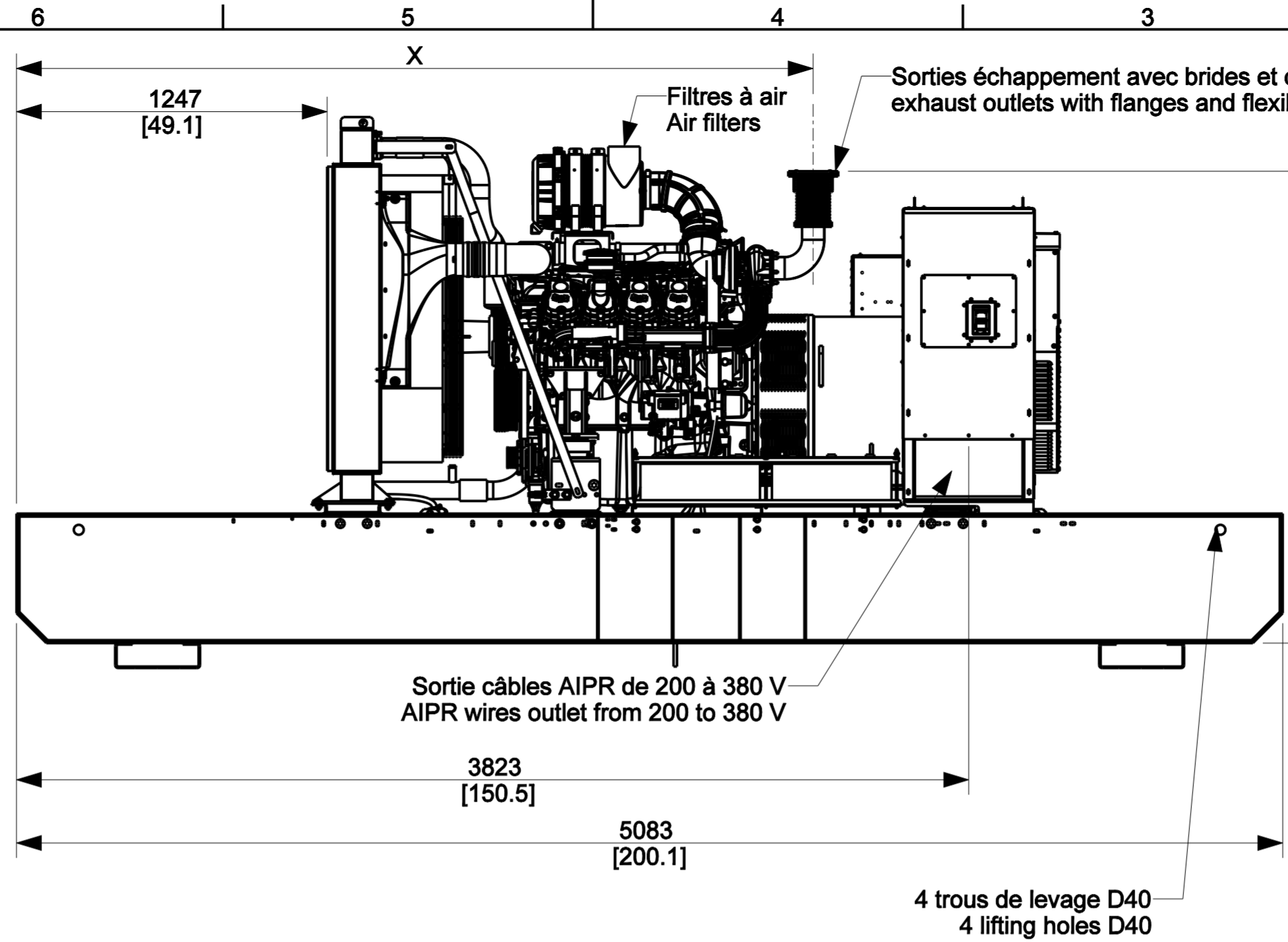


X	
DP158LF-50Hz	DP158LS-60Hz
3198	3215
[125.9]	[126.6]



Alternateur Generator	Masse Weight (kg / lbs)	
	Avec réservoir With fuel tank	Sans réservoir Without fuel tank
	A vide / Dry	OdM / Wet
KH01983T	5088 / 11229	6728 / 14849
KH02215T	5203 / 11483	6843 / 15103
KH02713T	5088 / 11229	6728 / 14849
KH02954T	5416 / 11953	7056 / 15573

ce plan vous est remis à titre indicatif et peut être révisé sans préavis
 this drawing is for informational purposes only and may be changed without notice

CET ASSEMBLAGE OU PIECE DOIT ETRE CONFORME A LA SPECIFICATION PEP-RML-001
 THIS ASSEMBLY OR PART MUST COMPLY WITH SPECIFICATION PEP-RML-001

REV	DATE	ON COMPOSITE DWGS, SEE PART NO. FOR REVISION LEVEL	BY
-	01.04.22	--	--

DO NOT SCALE. REFERENCE THE MODEL FOR ALL UNSPECIFIED DIMENSIONS

UNLESS OTHERWISE SPECIFIED -
 1) DIMENSIONS ARE IN MILLIMETERS
 2) TOLERANCES ARE: NF ISO13920-d1-A-E

FIRST ANGLE PROJECTION

APPROVALS: S. LOLEKAR, DATE: 01-Apr-22

APPROVED: ---

KOHLER 270 rue de Keravenn - 29490 Guipavas
 CS 40047 - 29801 Brest Cedex 9 - France

THIS DRAWING IS UNDER PROPERTY OF THE COMPANY;
 IT CANNOT PRINTED, USED OR COMMUNICATED WITHOUT ITS AUTHORIZATION.

TITLE: PLAN-GE-DO-DP158LDF/S-EX2-FRAME-DW-24H-M229

CAD NO: 30001542302 SCALE: 1:20 SHEET: 1 of 1

DWG NO: 30001542302 REV: - SIZE: A2