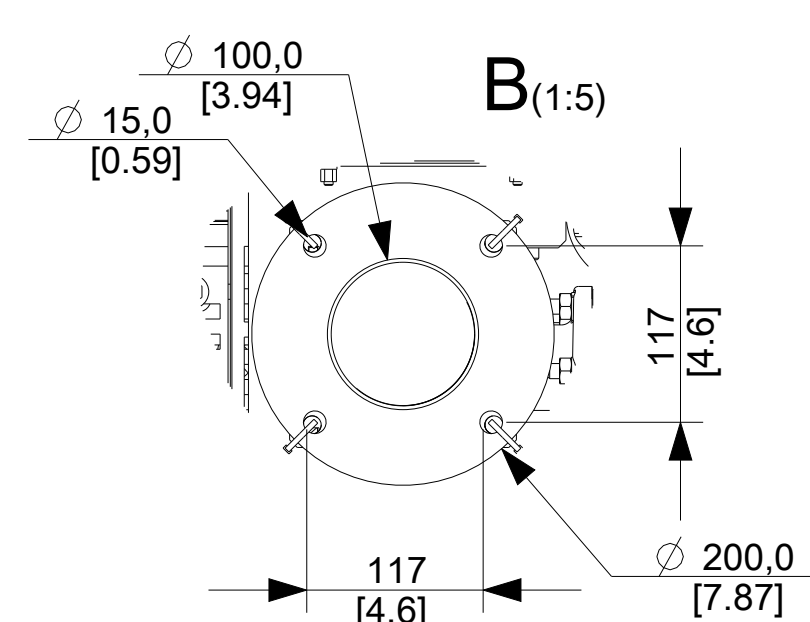


**SORTIE ECHAPPEMENT / EXHAUST OUTLET**  
(Détail contre-bride / counter-flange detail)



MOTEUR / ENGINE	ALTERNATEUR / ALTERNATOR	MASSE / WEIGHT (kg / lbs) +/- 5%		COG (mm / inch) A vide / Dry		COG (mm / inch) OdM / Wet	
		A vide / Dry	OdM / Wet	CG Horizontal	CG Vertical	CG Horizontal	CG Vertical
DOOSAN P126TI/TI-II	KH01381T	2792 / 6155	3813 / 8406	2372 / 93.38	756 / 29.76	2316 / 91.18	631 / 24.84
DOOSAN P126TI-TI-II	KH01721T	2916 / 6428	3936 / 8677	2436 / 65.90	761 / 29.96	2373 / 93.42	639 / 25.15
DOOSAN P126TI/TI-II	KH02214T	3046 / 6715	4067 / 8966	2459 / 96.81	766 / 30.15	2384 / 93.85	647 / 25.47

Voir folios suivants pour informations complémentaires / See following sheets for additional informations.

REV	DATE	ON COMPOSITE DWGS. SEE PART NO. FOR REVISION LEVEL	BY	DO NOT SCALE. REFERENCE THE MODEL FOR ALL UNSPECIFIED DIMENSIONS
-	07/06/22	---	---	UNLESS OTHERWISE SPECIFIED - 1) DIMENSIONS ARE IN MILLIMETERS 2) TOLERANCES ARE: NF ISO1300-A4-E
A	14/03/24	UPDATE	SP	UNLESS OTHERWISE SPECIFIED - 1) DIMENSIONS ARE IN MILLIMETERS 2) TOLERANCES ARE: NF ISO1300-A4-E

APPROVALS	DATE	SCALE	TITLE	SHEET
P. SIMON	14-Mar-24	1:10	PLAN-GE -DO-P126TI/TI-II EX2-	1 of 3
			CAD NO: 30001544001	REV   SIZE
			DWG NO: 30001544001	A A0

THIS DRAWING IS UNDER PROPERTY OF THE COMPANY. IT CANNOT BE PRINTED, USED OR COMMUNICATED WITHOUT ITS AUTHORIZATION.

270 rue de Kerenenn - 29490 Guipavas  
CS 40047 - 29801 Brest Cedex 9 - France



