

ITEM	DESCRIPTION
03-01	VIDANGE EAU / COOLANT DRAIN
03-02	REPLISSAGE EAU / COOLANT FILLING
04-01	VIDANGE HUILE / OIL DRAIN
04-02	REPLISSAGE HUILE / OIL FILLING
04-03	JAUGE NIVEAU HUILE / OIL DIPSTICK
05-01	REPLISSAGE FUEL / FUEL FILLING
05-09	VIDANGE FUEL / FUEL DRAIN
07-01	SIMPLE DEMARRAGE / SINGLE STARTING
08-01	FILTRE A AIR / AIR FILTER
09-01	SORTIE ECHAPPEMENT / EXHAUST OUTLET
16-01	PUPITRE COMMANDE / CONTROL PANEL

MOTEUR ENGINE	ALTERNATEUR / ALTERNATOR	MASSE / WEIGHT (kg / lbs) +/- 5%		COG (mm / inch) OdM / Wet	
		A vide / Dry	OdM / Wet	CG Horizontal	CG Vertical
KD39L04T-AA-56	KH00753T	1080 / 2381	1260 / 2778	950 / 37	580 / 23
	KH01051T	1150 / 2535	1320 / 2910	970 / 38	580 / 23

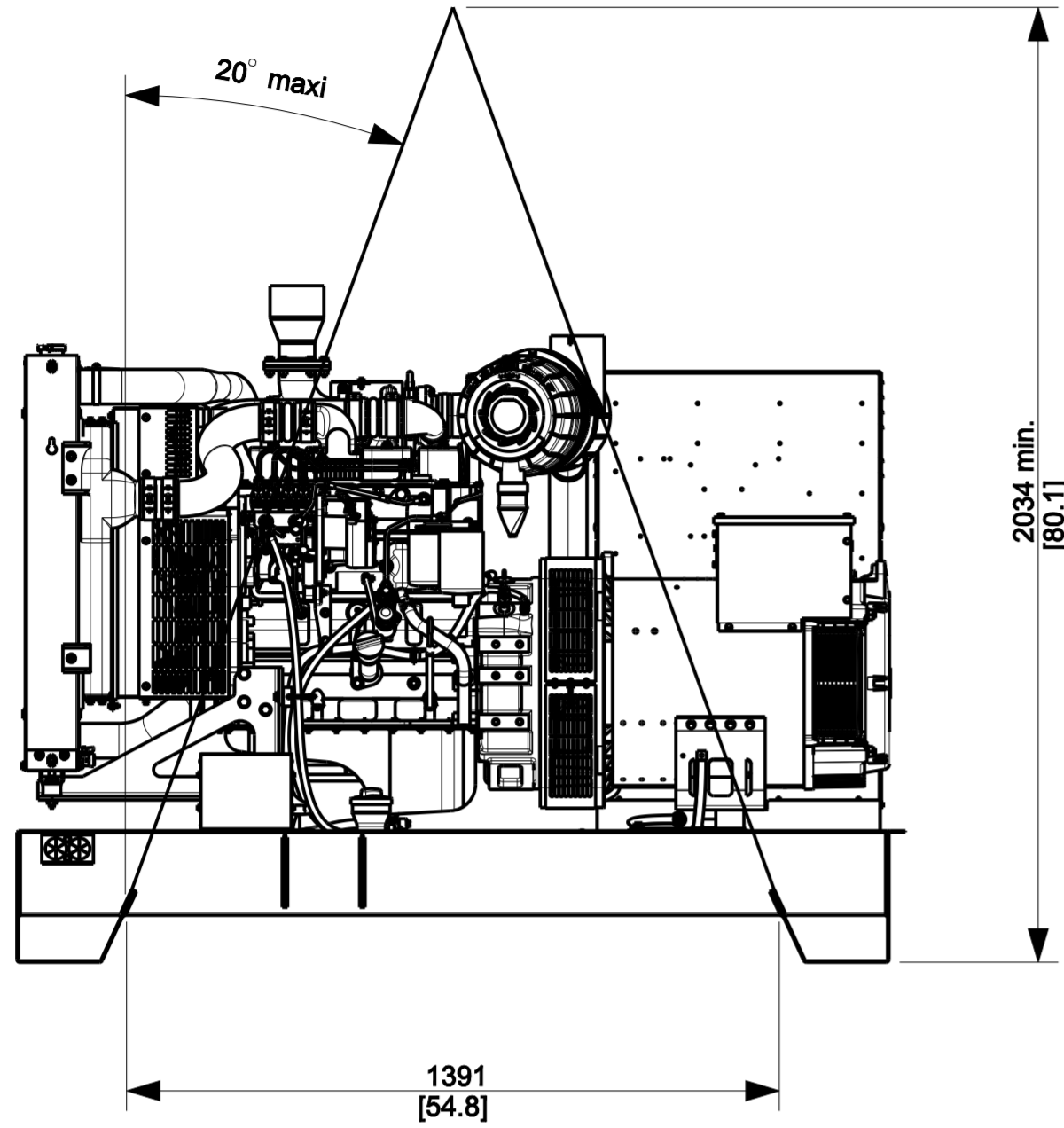
REV	DATE	ON COMPOSITE DWGS. SEE PART NO. FOR REVISION LEVEL □ INDICATES PART NUMBERS AFFECTED BY LATEST DRAWING REVISION	BY	THIS ASSEMBLY OR PART MUST COMPLY WITH PEP-RML-001. REFERENCE CAD MODEL FOR UNSPECIFIED DIMENSIONS.
-	02JUL2025	RELEASE FOR PRODUCTION	MF	
A	02OCT2025	Add Nota concerning lifting without fuel	MF	

UNLESS OTHERWISE SPECIFIED: 1) DIMENSIONS ARE IN MILLIMETERS 2) TOLERANCES: NF ISO19820-CLA-E	MAJOR \square = 0 CRITICAL \star = 0	FIRST ANGLE PROJECTION
SCALE: 7:100[2]	SHEET SIZE: A2	SHEET: 1 OF 3
DRAWN: MF	DATE: 02JUL2025	TITLE: DIMENSION PRINT, KD110, FRAME STD
APPROVED: SEE PLM SYSTEM		DWG NO.: 30001569501

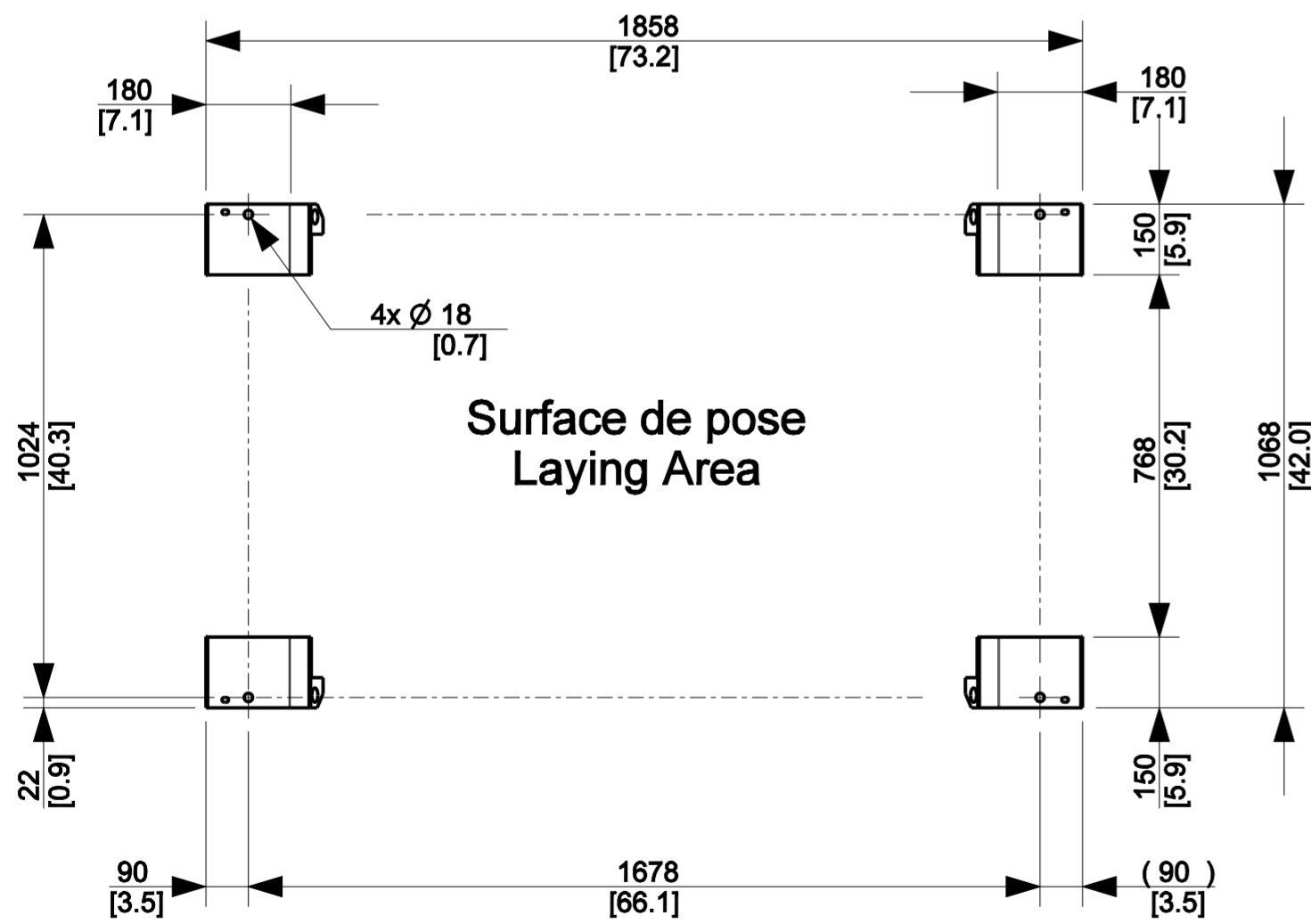
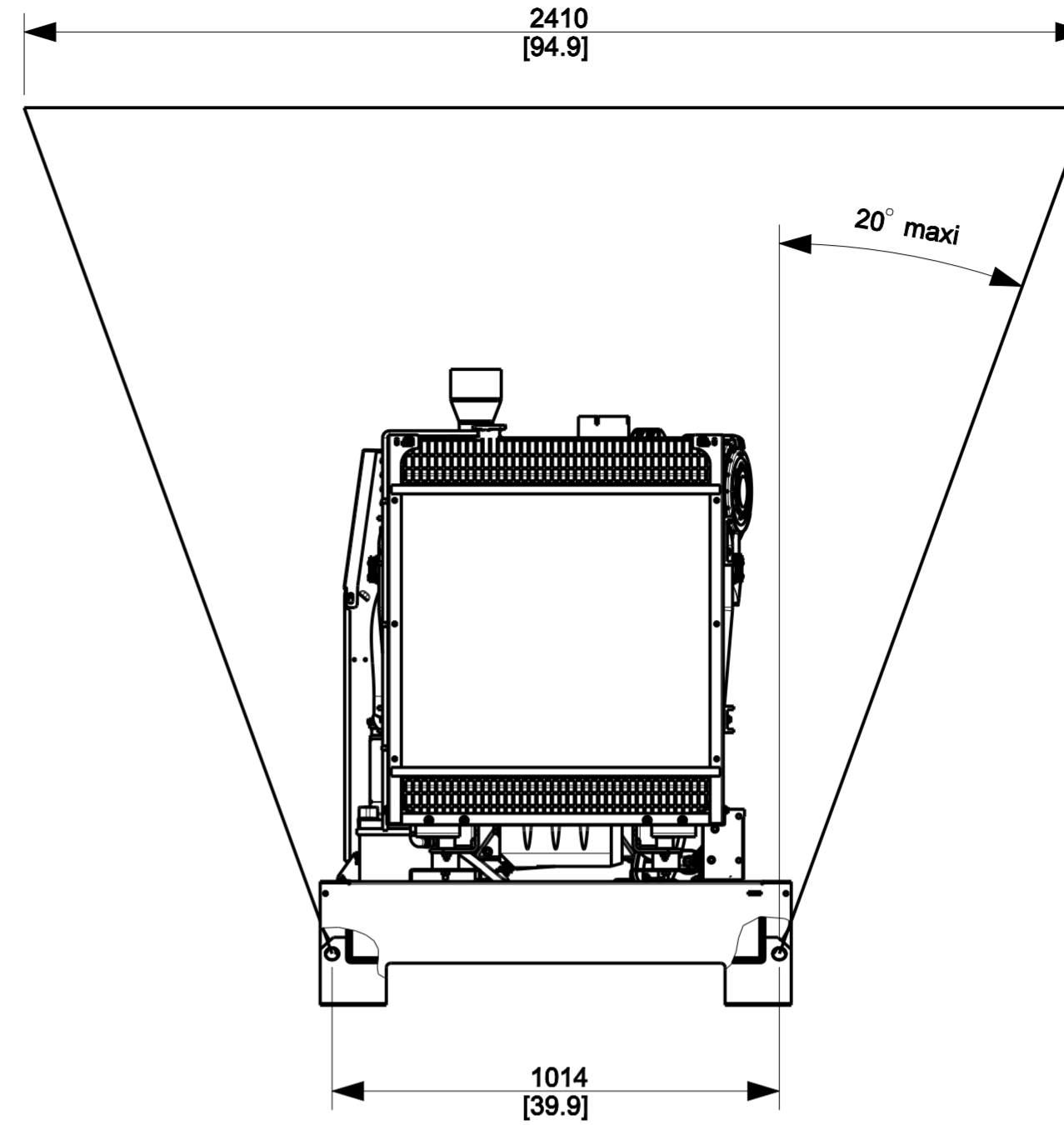
ATTENTION !! LA MANUTENTION DU GROUPE DOIT ETRE FAITE SANS LE PLEIN DE FUEL
WARNING !! HANDLING OF GENSET MUST BE MADE WITHOUT FUEL

Ce plan vous est remis à titre indicatif et peut être révisé sans préavis.
 This drawing is for informational purposes only and maybe changed whitout notice.

LEFT VIEW - LIFTING



FRONT VIEW - LIFTING

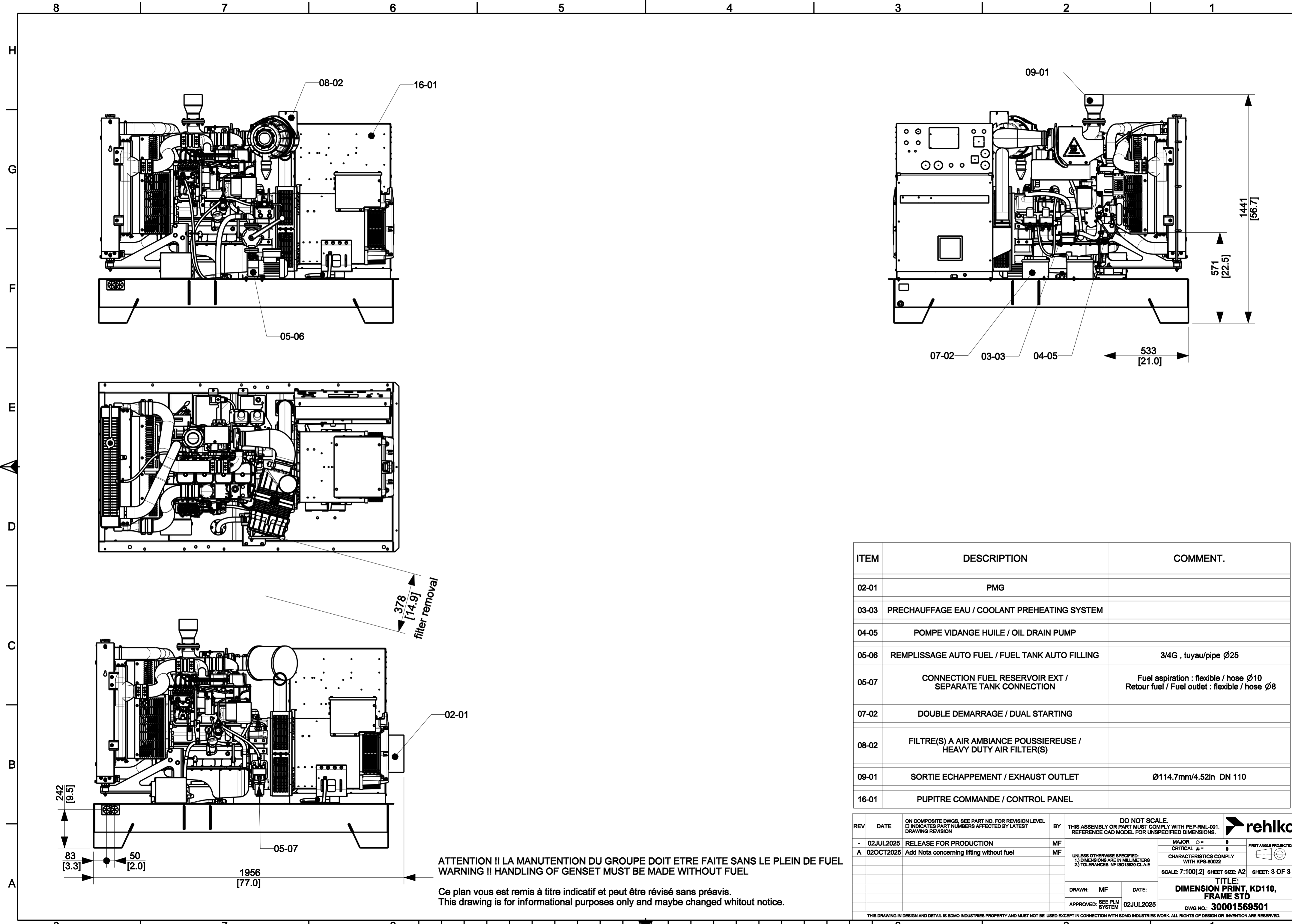


ATTENTION !! LA MANUTENTION DU GROUPE DOIT ETRE FAITE SANS LE PLEIN DE FUEL
WARNING !! HANDLING OF GENSET MUST BE MADE WITHOUT FUEL

Ce plan vous est remis à titre indicatif et peut être révisé sans préavis.
This drawing is for informational purposes only and maybe changed whitout notice.

REV	DATE	ON COMPOSITE DWGS. SEE PART NO. FOR REVISION LEVEL □ INDICATES PART NUMBERS AFFECTED BY LATEST DRAWING REVISION	BY	DO NOT SCALE. THIS ASSEMBLY OR PART MUST COMPLY WITH PEP-RML-001. REFERENCE CAD MODEL FOR UNSPECIFIED DIMENSIONS.
-	02JUL2025	RELEASE FOR PRODUCTION	MF	
A	02OCT2025	Add Nota concerning lifting without fuel	MF	
				MAJOR \square = 0 CRITICAL \star = 0 CHARACTERISTICS COMPLY WITH KPS-80022 SCALE: 7:100[2] SHEET SIZE: A2 SHEET: 2 OF 3 TITLE: DIMENSION PRINT, KD110, FRAME STD DWG NO.: 30001569501
			DRAWN: MF	DATE: 02JUL2025
			APPROVED: SEE PLM SYSTEM	

THIS DRAWING IN DESIGN AND DETAIL IS SDMO INDUSTRIES PROPERTY AND MUST NOT BE USED EXCEPT IN CONNECTION WITH SDMO INDUSTRIES WORK. ALL RIGHTS OF DESIGN OR INVENTION ARE RESERVED.



ITEM	DESCRIPTION	COMMENT.
02-01	PMG	
03-03	PRECHAUFFAGE EAU / COOLANT PREHEATING SYSTEM	
04-05	POMPE VIDANGE HUILE / OIL DRAIN PUMP	
05-06	REPLISSAGE AUTO FUEL / FUEL TANK AUTO FILLING	3/4G , tuyau/pipe Ø25
05-07	CONNECTION FUEL RESERVOIR EXT / SEPARATE TANK CONNECTION	Fuel aspiration : flexible / hose Ø10 Retour fuel / Fuel outlet : flexible / hose Ø8
07-02	DOUBLE DEMARRAGE / DUAL STARTING	
08-02	FILTRE(S) A AIR AMBIANCE POUSSIEREUSE / HEAVY DUTY AIR FILTER(S)	
09-01	SORTIE ECHAPPEMENT / EXHAUST OUTLET	Ø114.7mm/4.52in DN 110
16-01	PUPITRE COMMANDE / CONTROL PANEL	

REV	DATE	ON COMPOSITE DWGS. SEE PART NO. FOR REVISION LEVEL □ INDICATES PART NUMBERS AFFECTED BY LATEST DRAWING REVISION	BY	THIS ASSEMBLY OR PART MUST COMPLY WITH PEP-RML-001. REFERENCE CAD MODEL FOR UNSPECIFIED DIMENSIONS.	
-	02JUL2025	RELEASE FOR PRODUCTION	MF		
A	02OCT2025	Add Nota concerning lifting without fuel	MF		MAJOR ○ = 0 CRITICAL * = 0 FIRST ANGLE PROJECTION CHARACTERISTICS COMPLY WITH KPS-80022 SCALE: 7:100[2] SHEET SIZE: A2 SHEET: 3 OF 3 TITLE: DIMENSION PRINT, KD110, FRAME STD DWG NO.: 30001569501
				DRAWN: MF DATE: 02JUL2025	
				APPROVED: SEE PLM SYSTEM	

THIS DRAWING IN DESIGN AND DETAIL IS SDMO INDUSTRIES PROPERTY AND MUST NOT BE USED EXCEPT IN CONNECTION WITH SDMO INDUSTRIES WORK. ALL RIGHTS OF DESIGN OR INVENTION ARE RESERVED.

**ATTENTION !! LA MANUTENTION DU GROUPE DOIT ETRE FAITE SANS LE PLEIN DE FUEL
WARNING !! HANDLING OF GENSET MUST BE MADE WITHOUT FUEL**

Ce plan vous est remis à titre indicatif et peut être révisé sans préavis.
This drawing is for informational purposes only and maybe changed whitout notice.