

FRONT VIEW

REAR VIEW

LEFT VIEW

TOP VIEW

RIGHT VIEW

09-01
(1:4)

6x Ø 12 sur Ø116
[0.5]
on 4.57"

Trous de levage Ø3
Lifting lugs Ø1.18

ITEM	DESCRIPTION
03-01	VIDANGE EAU / COOLANT DRAIN
03-02	REPLISSAGE EAU / COOLANT FILLING
04-01	VIDANGE HUILE / OIL DRAIN
04-02	REPLISSAGE HUILE / OIL FILLING
04-03	JAUGE NIVEAU HUILE / OIL DIPSTICK
05-01	REPLISSAGE FUEL / FUEL FILLING
07-01	SIMPLE DEMARRAGE / SINGLE STARTING
08-01	FILTRE A AIR / AIR FILTER
09-01	SORTIE ECHAPPEMENT / EXHAUST OUTLET
16-01	PUPITRE COMMANDE / CONTROL PANEL

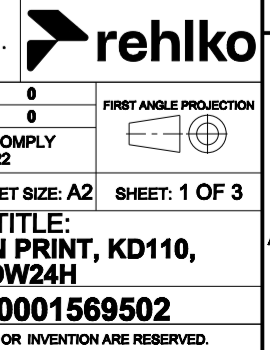
MOTEUR ENGINE	ALTERNATEUR / ALTERNATOR	MASSE / WEIGHT (kg / lbs) +/- 5%		COG (mm / inch) OdM / Wet	
		A vide / Dry	OdM / Wet	CG Horizontal	CG Vertical
KD39L04T-AA-56	KH00753T	1190 / 2624	1650 / 3638	1290 / 51	540 / 21
	KH01051T	1260 / 2778	1720 / 3792	1320 / 52	550 / 22

ATTENTION !! LA MANUTENTION DU GROUPE DOIT ETRE FAITE SANS LE PLEIN DE FUEL
WARNING !! HANDLING OF GENSET MUST BE MADE WITHOUT FUEL

Ce plan vous est remis à titre indicatif et peut être révisé sans préavis.
This drawing is for informational purposes only and maybe changed whitout notice.

REV	DATE	ON COMPOSITE DWGS. SEE PART NO. FOR REVISION LEVEL □ INDICATES PART NUMBERS AFFECTED BY LATEST DRAWING REVISION	BY	THIS ASSEMBLY OR PART MUST COMPLY WITH PEP-RML-001. REFERENCE CAD MODEL FOR UNSPECIFIED DIMENSIONS.
-	02SEP2025	RELEASE FOR PRODUCTION	STN	
A	02OCT2025	Add Nota concerning lifting without fuel	MF	

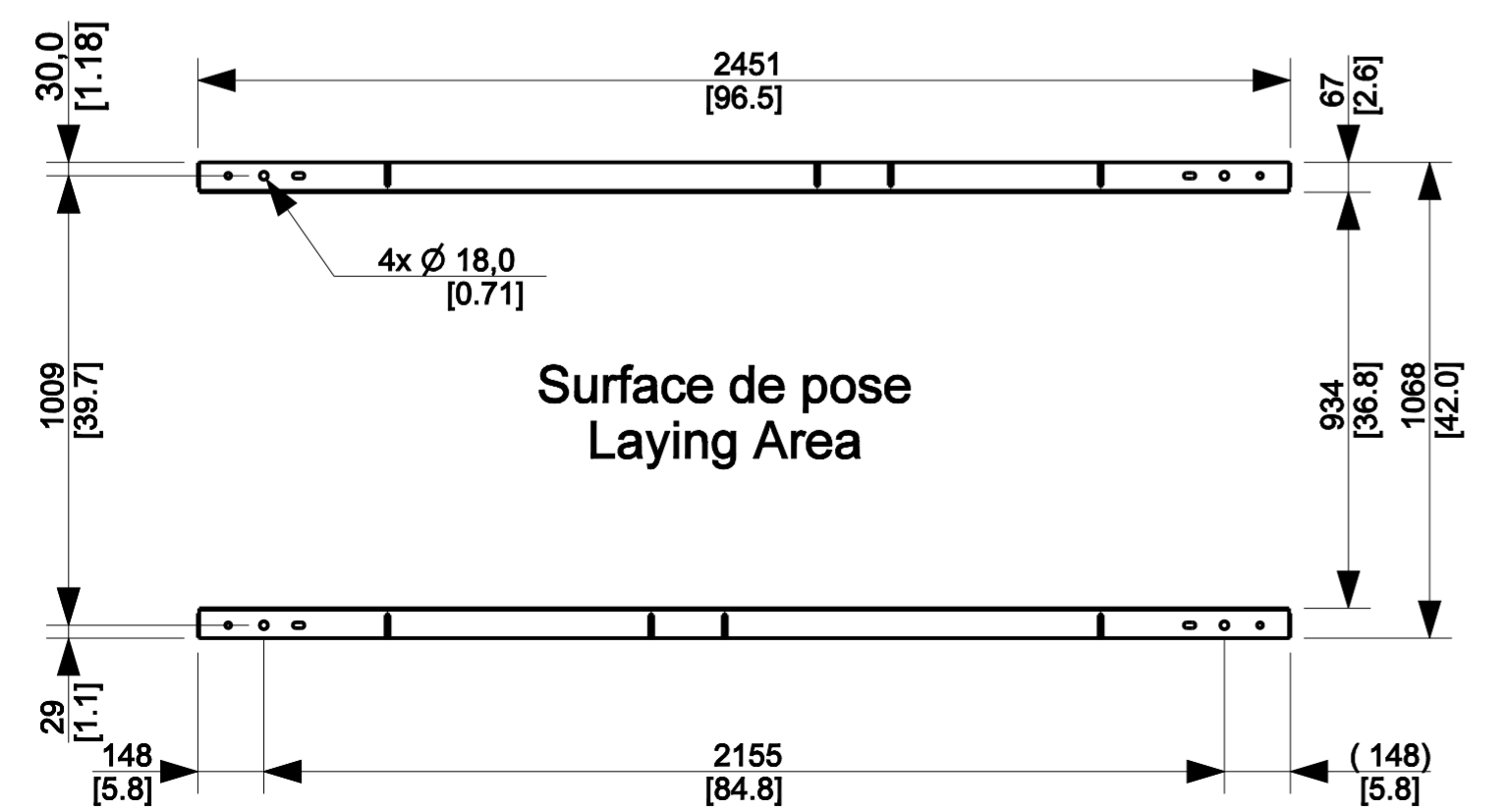
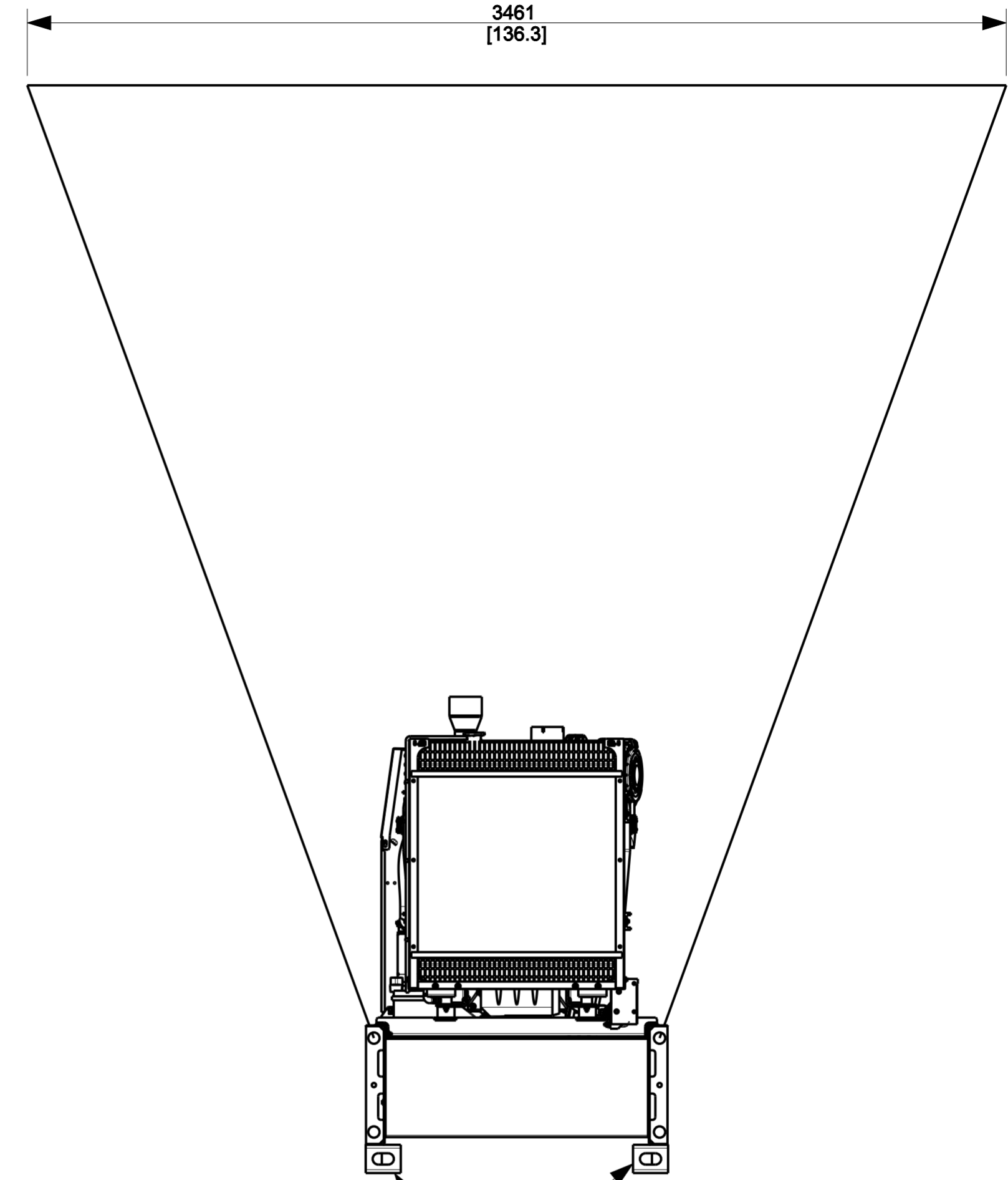
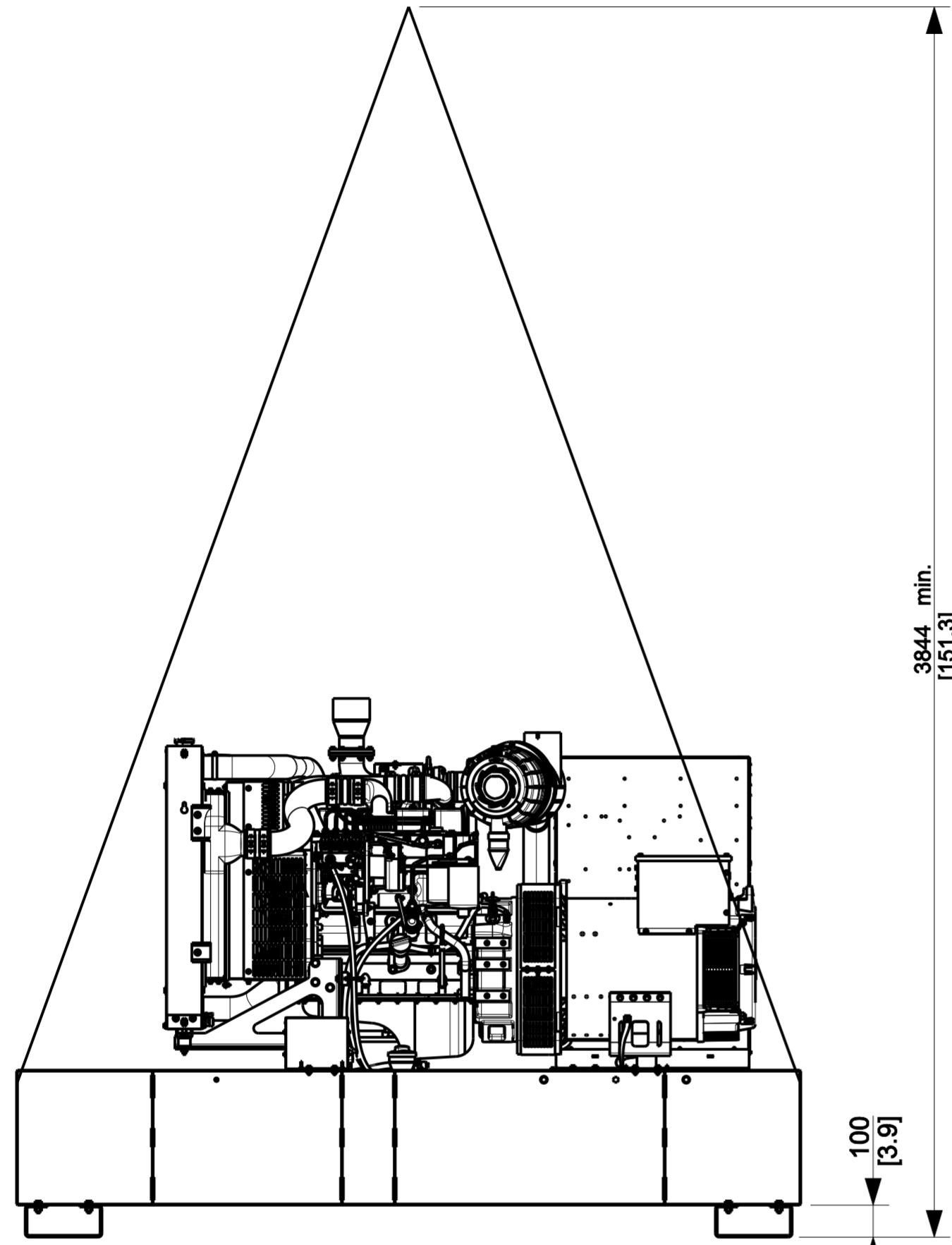
UNLESS OTHERWISE SPECIFIED: 1) DIMENSIONS ARE IN MILLIMETERS 2) TOLERANCES: NF ISO19820-CLA-E	SCALE: 3:50[2]	SHEET SIZE: A2	SHEET: 1 OF 3
DRAWN: STN	DATE:	TITLE: DIMENSION PRINT, KD110, DW24H	
APPROVED: SEE PLM SYSTEM	02SEP2025	DWG NO.: 30001569502	



THIS DRAWING IN DESIGN AND DETAIL IS SDMO INDUSTRIES PROPERTY AND MUST NOT BE USED EXCEPT IN CONNECTION WITH SDMO INDUSTRIES WORK. ALL RIGHTS OF DESIGN OR INVENTION ARE RESERVED.

LEFT VIEW - LIFTING

FRONT VIEW - LIFTING



Surface de pose
Laying Area

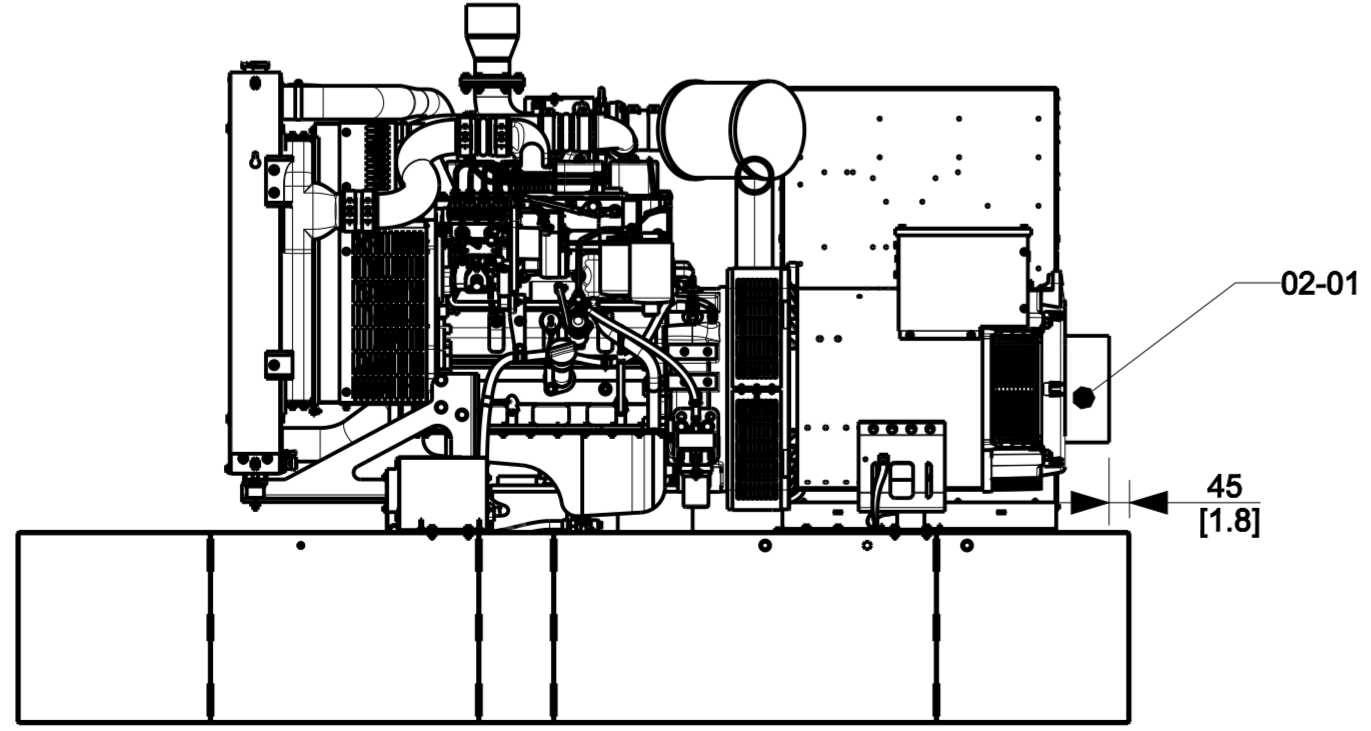
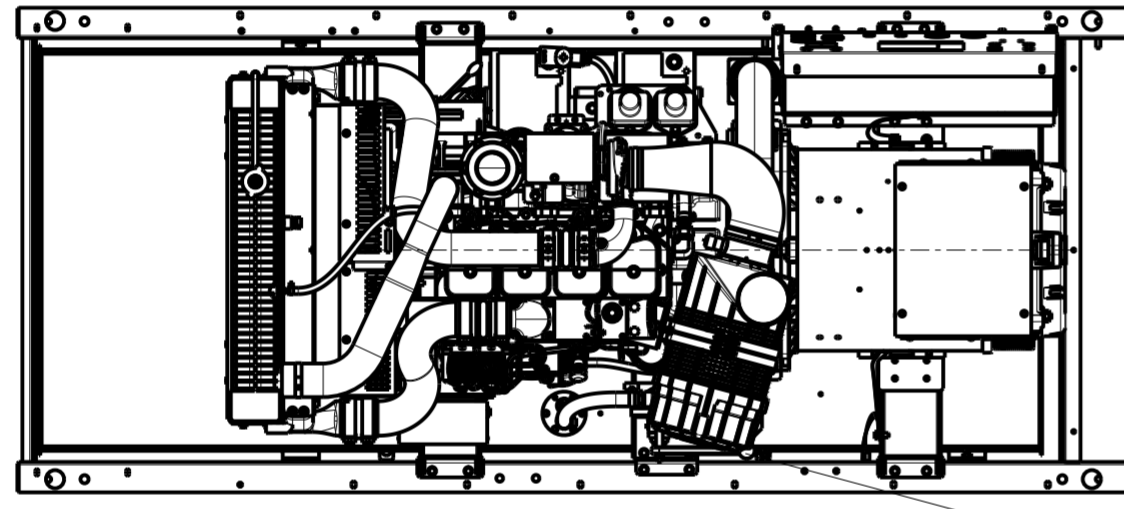
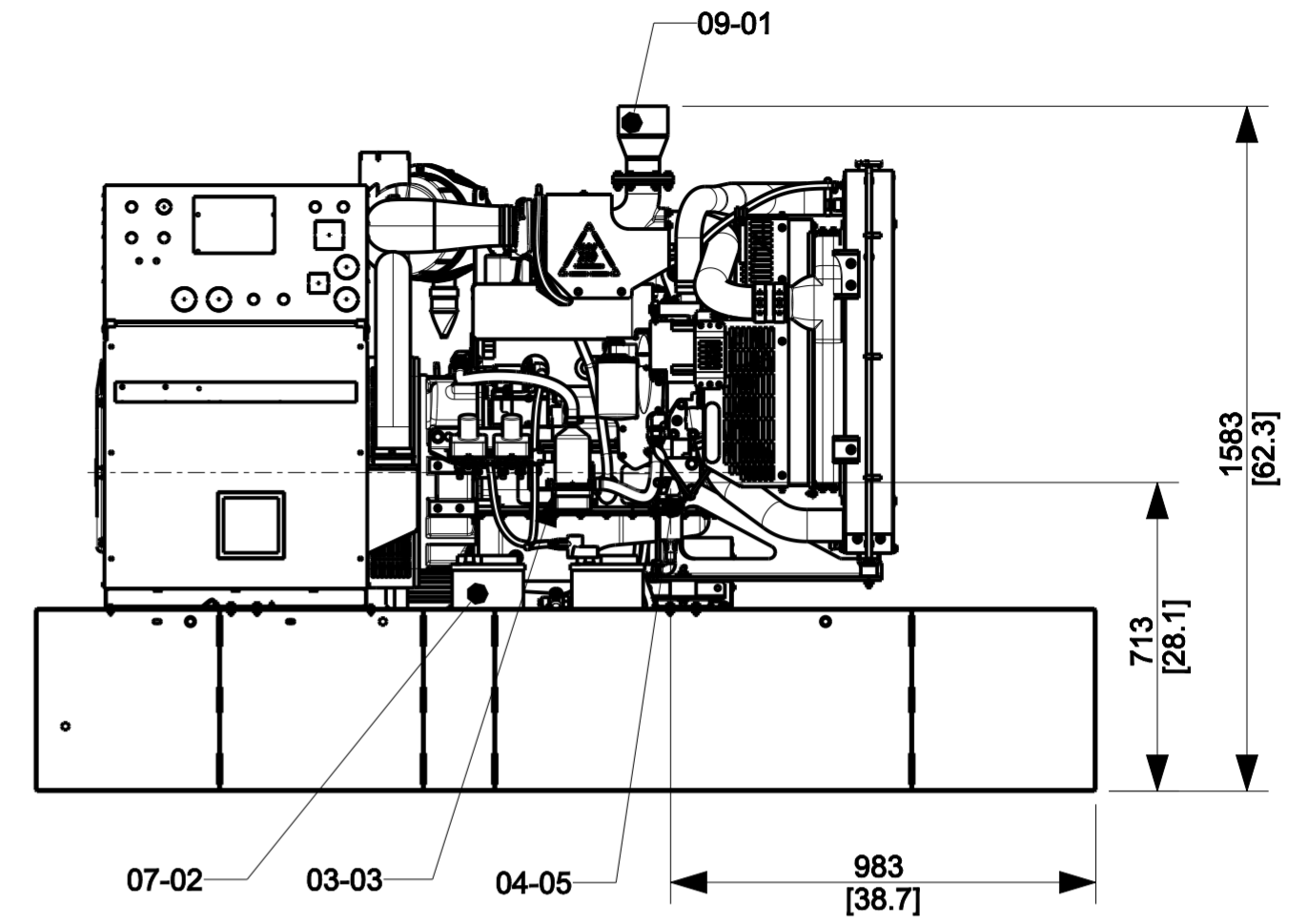
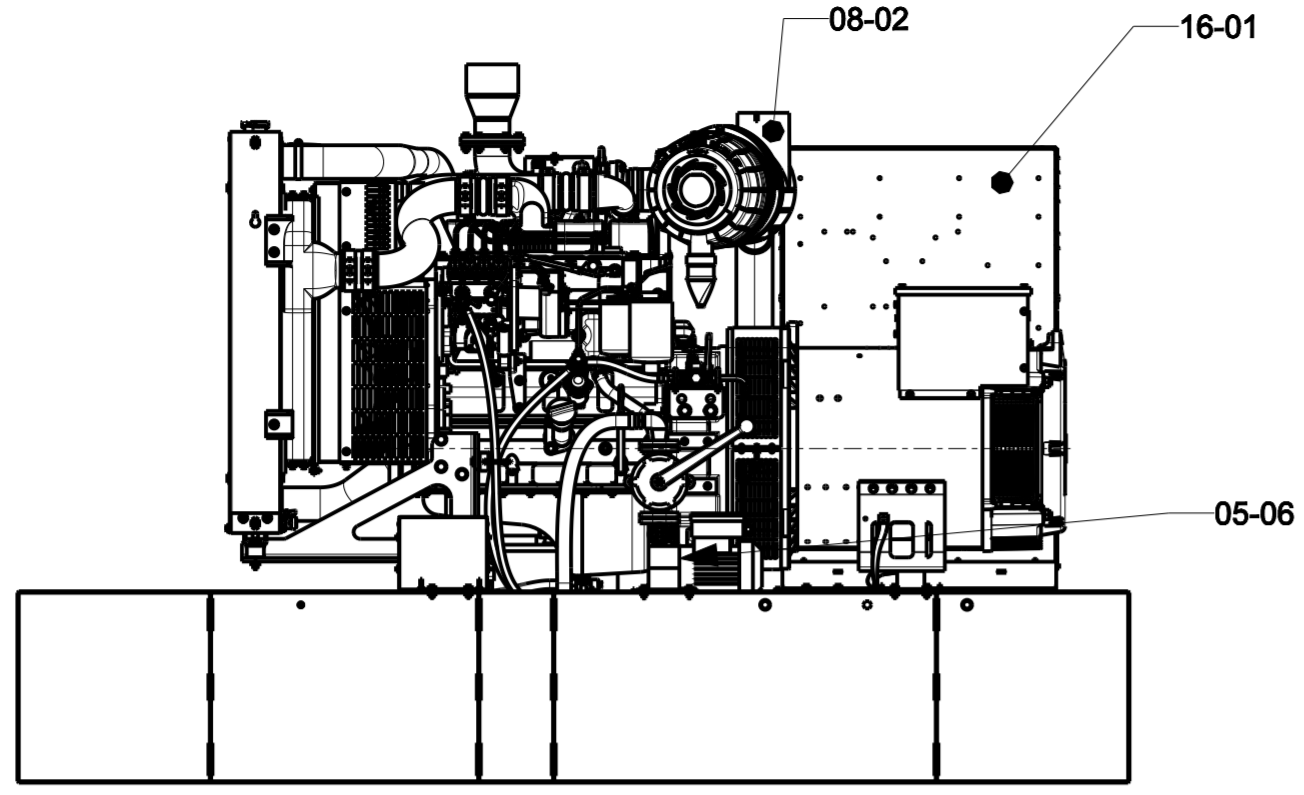
PIEDS DE TRANSPORT A DEMONTER AVANT INSTALLATION
TRANSPORT FEET TO BE REMOVED BEFORE INSTALLATION

ATTENTION !! LA MANUTENTION DU GROUPE DOIT ETRE FAITE SANS LE PLEIN DE FUEL
WARNING !! HANDLING OF GENSET MUST BE MADE WITHOUT FUEL

Ce plan vous est remis à titre indicatif et peut être révisé sans préavis.
This drawing is for informational purposes only and maybe changed whitout notice.

REV	DATE	ON COMPOSITE DWGS. SEE PART NO. FOR REVISION LEVEL □ INDICATES PART NUMBERS AFFECTED BY LATEST DRAWING REVISION	BY	THIS ASSEMBLY OR PART MUST COMPLY WITH PEP-RML-001. REFERENCE CAD MODEL FOR UNSPECIFIED DIMENSIONS.
-	02SEP2025	RELEASE FOR PRODUCTION	STN	
A	02OCT2025	Add Nota concerning lifting without fuel	MF	
				DO NOT SCALE. MAJOR 0 CRITICAL 0 FIRST ANGLE PROJECTION CHARACTERISTICS COMPLY WITH KPS-80022 SCALE: 3:50[2] SHEET SIZE: A2 SHEET: 2 OF 3 TITLE: DIMENSION PRINT, KD110, DW24H DWG NO.: 30001569502
			DRAWN: STN	DATE: 02SEP2025
			APPROVED: SEE PLM SYSTEM	

THIS DRAWING IN DESIGN AND DETAIL IS SDMO INDUSTRIES PROPERTY AND MUST NOT BE USED EXCEPT IN CONNECTION WITH SDMO INDUSTRIES WORK. ALL RIGHTS OF DESIGN OR INVENTION ARE RESERVED.



ITEM	DESCRIPTION	COMMENT.
02-01	PMG	
03-03	PRECHAUFFAGE EAU / COOLANT PREHEATING SYSTEM	
04-05	POMPE VIDANGE HUILE / OIL DRAIN PUMP	
05-06	REMPLISSAGE AUTO FUEL / FUEL TANK AUTO FILLING	3/4G , tuyau/pipe Ø25
07-02	DOUBLE DEMARRAGE / DUAL STARTING	
08-02	FILTRE(S) A AIR AMBIANCE POUSSIEREUSE / HEAVY DUTY AIR FILTER(S)	
09-01	SORTIE ECHAPPEMENT / EXHAUST OUTLET	Ø114.7mm/4.52in DN 110
16-01	PUPITRE COMMANDE / CONTROL PANEL	

REV	DATE	ON COMPOSITE DWGS. SEE PART NO. FOR REVISION LEVEL □ INDICATES PART NUMBERS AFFECTED BY LATEST DRAWING REVISION	BY	THIS ASSEMBLY OR PART MUST COMPLY WITH PEP-RML-001. REFERENCE CAD MODEL FOR UNSPECIFIED DIMENSIONS.	
-	02SEP2025	RELEASE FOR PRODUCTION	STN		
A	02OCT2025	Add Nota concerning lifting without fuel	MF		MAJOR ○ = 0 CRITICAL ✖ = 0 FIRST ANGLE PROJECTION CHARACTERISTICS COMPLY WITH KPS-80022 SCALE: 3:50[2] SHEET SIZE: A2 SHEET: 3 OF 3 TITLE: DIMENSION PRINT, KD110, DW24H DWG NO.: 30001569502
		DRAWN: STN DATE: 02SEP2025		APPROVED: SEE PLM SYSTEM	

ATTENTION !! LA MANUTENTION DU GROUPE DOIT ETRE FAITE SANS LE PLEIN DE FUEL
WARNING !! HANDLING OF GENSET MUST BE MADE WITHOUT FUEL

Ce plan vous est remis à titre indicatif et peut être révisé sans préavis.
 This drawing is for informational purposes only and maybe changed whitout notice.