

ITEM	DESCRIPTION	COMMENT.
03-01	VIDANGE EAU / COOLANT DRAIN	
03-02	REPLISSAGE EAU / COOLANT FILLING	
04-01	VIDANGE HUILE / OIL DRAIN	
05-01	REPLISSAGE FUEL / FUEL FILLING	
05-09	VIDANGE FUEL / FUEL DRAIN	3/4G
07-01	SIMPLE DEMARRAGE / SINGLE STARTING	
08-01	FILTRE(S) A AIR / AIR FILTER(S)	
09-01	SORTIE ECHAPPEMENT / EXHAUST OUTLET	Ø67mm/2.63in
16-01	PUPITRE COMMANDE / CONTROL PANEL	
16-08	SORTIE CABLES PUISSANCE / POWER CABLES OUTLET	

MOTEUR ENGINE	ALTERNATEUR / ALTERNATOR	MASSE / WEIGHT (kg / lbs) +/- 5%		COG (mm / inch) OdM / Wet	
		A vide / Dry	OdM / Wet	CG Horizontal	CG Vertical
KD59L06T-AW	KH00753T	1170 / 2579	1450 / 3196	1090 / 43	630 / 25
	KH01051T	1230 / 2711	1510 / 3329	1120 / 44	630 / 25
	KH01052T	1230 / 2711	1510 / 3329	1120 / 44	630 / 25

**ATTENTION !! LA MANUTENTION DU GROUPE DOIT ETRE FAITE SANS LE PLEIN DE FUEL
WARNING !! HANDLING OF GENSET MUST BE MADE WITHOUT FUEL**

Ce plan peut-être révisé sans préavis. This drawing may be revised without any notice.

REV	DATE	ON COMPOSITE DWGS. SEE PART NO. FOR REVISION LEVEL. ID INDICATES PART NUMBERS AFFECTED BY LATEST DRAWING REVISION.	BY	THIS ASSEMBLY OR PART MUST COMPLY WITH PEP-RML-001. REFERENCE CAD MODEL FOR UNSPECIFIED DIMENSIONS.	DO NOT SCALE.
-	11FEB2025	RELEASE FOR PRODUCTION	PS		CRITICAL
A	02OCT2025	UPDATE	PS		CHARACTERISTICS COMPLY WITH AFS-80032

SCALE: 1:1 SHEET SIZE: A1 SHEET: 1 OF 3

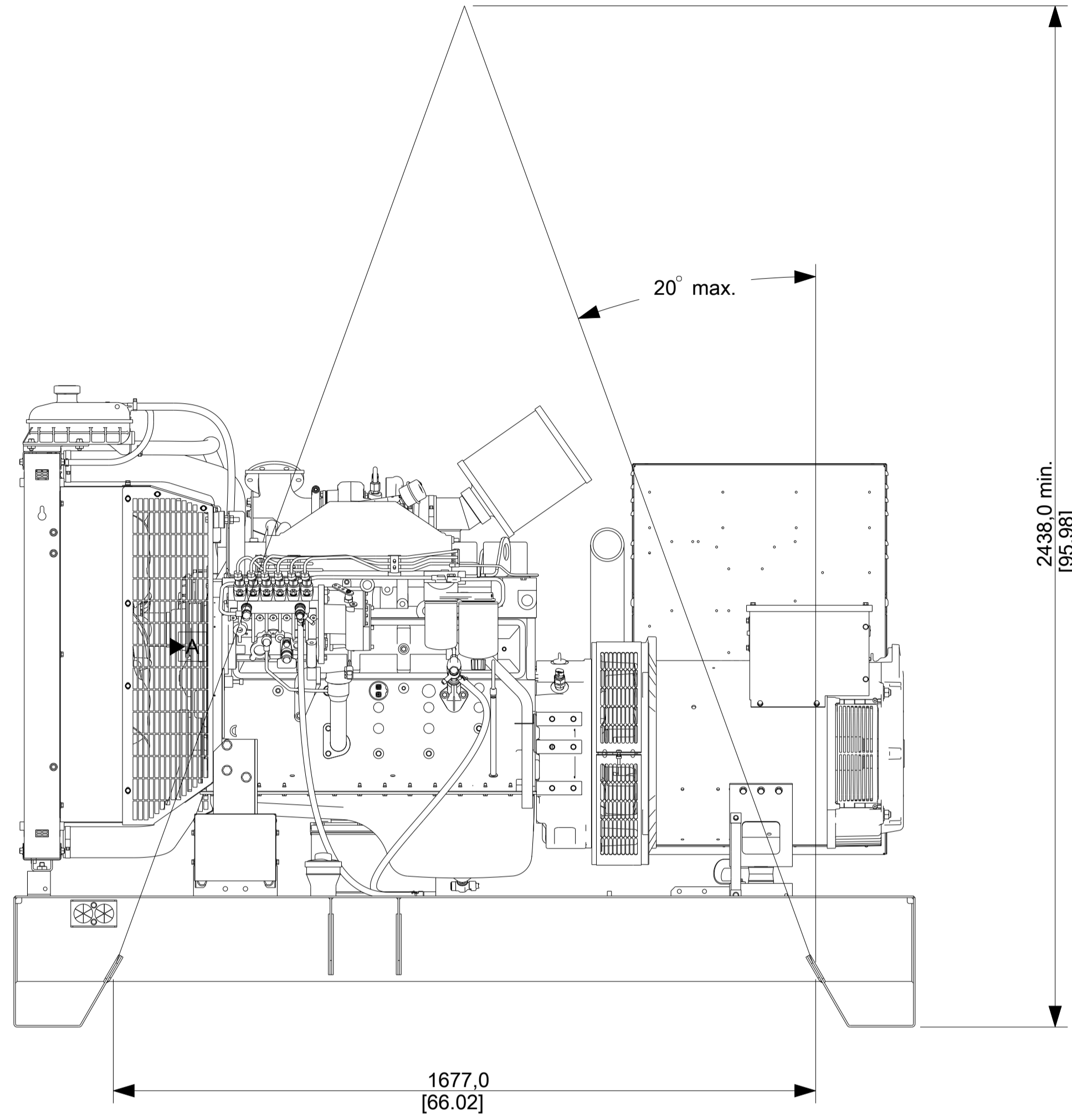
TITLE: **DIMENSION PRINT, KD130, FRAME STD**

APPROVED: SEE FILM SYSTEM DATE: 29JUL2025 DWG. NO. **30001567501**

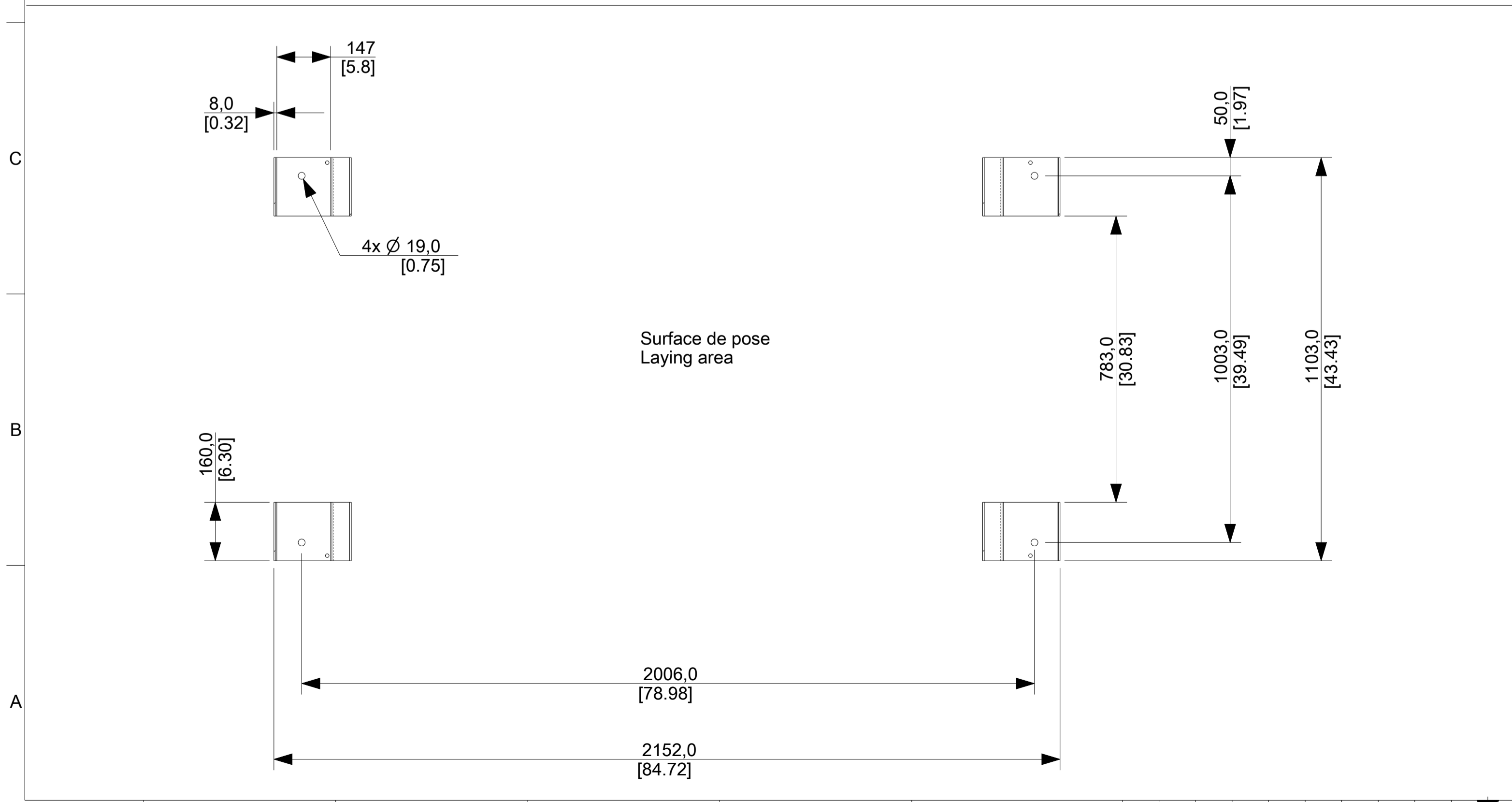
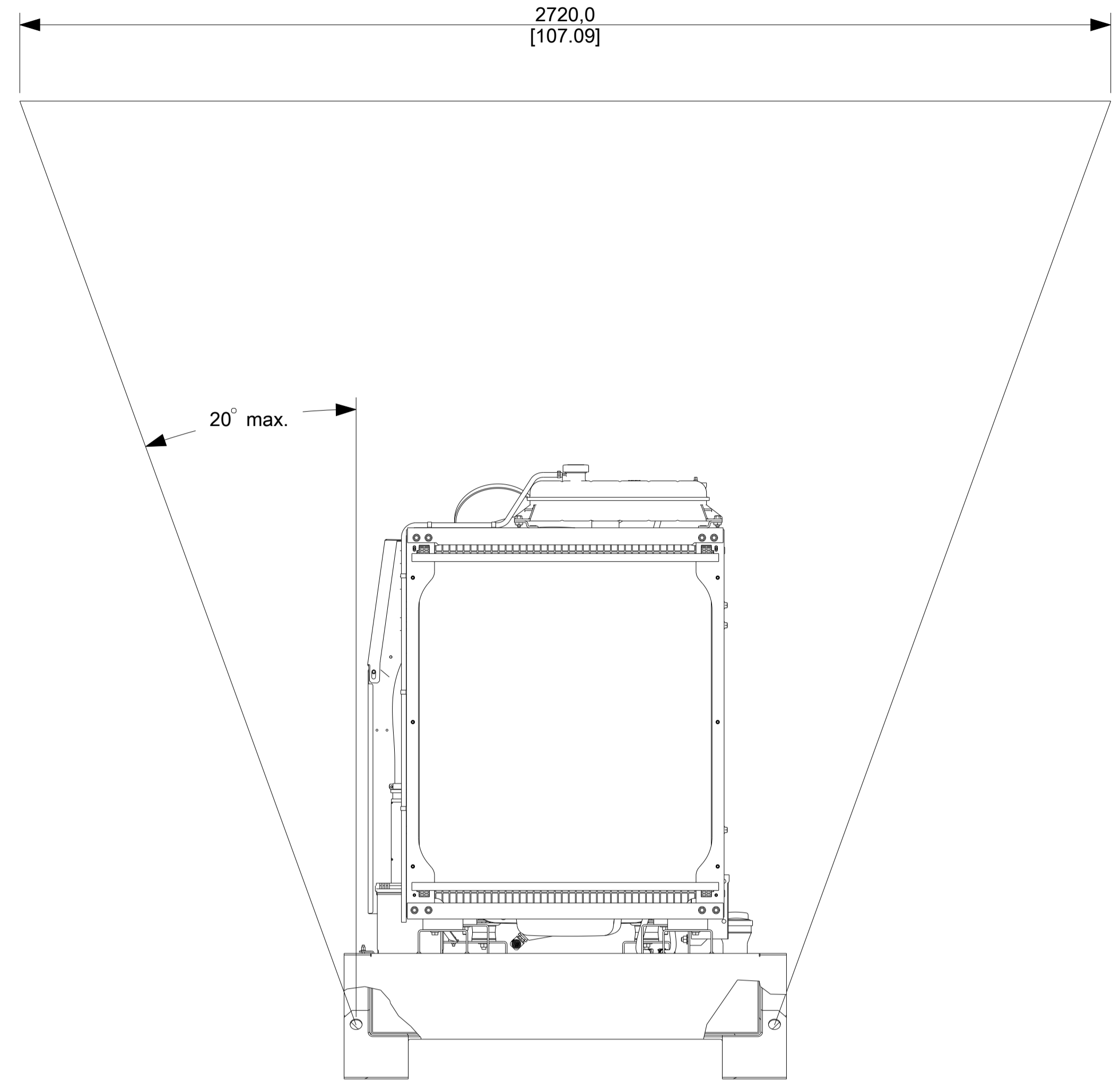
THIS DRAWING IN DESIGN AND DETAIL IS SOMO INDUSTRIES PROPERTY AND MUST NOT BE USED EXCEPT IN CONNECTION WITH SOMO INDUSTRIES WORK. ALL RIGHTS OF DESIGN OR INVENTION ARE RESERVED.

16 15 14 13 12 11 10 9 8 7 6 5 4 3 2 1

LEFT VIEW - LIFTING



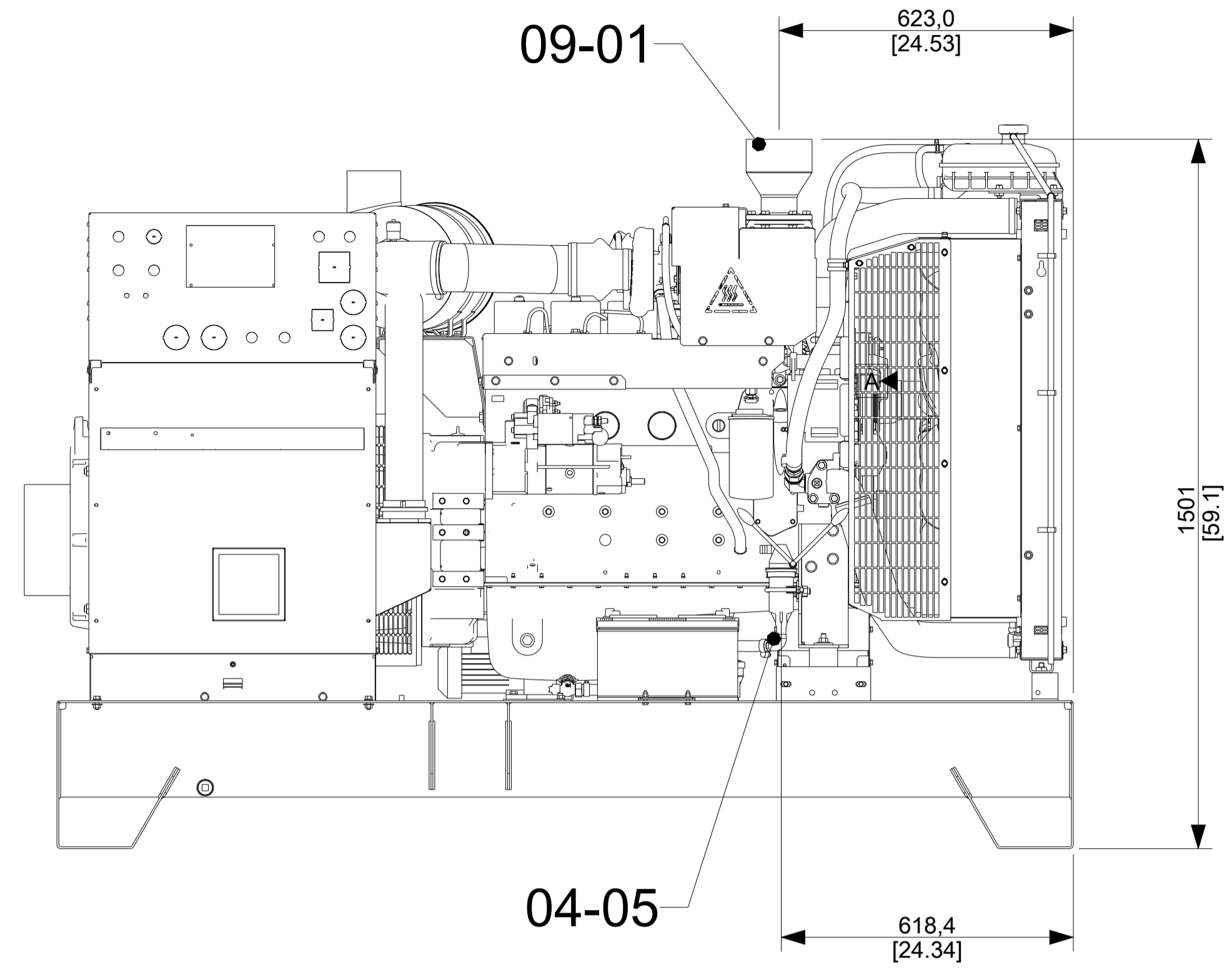
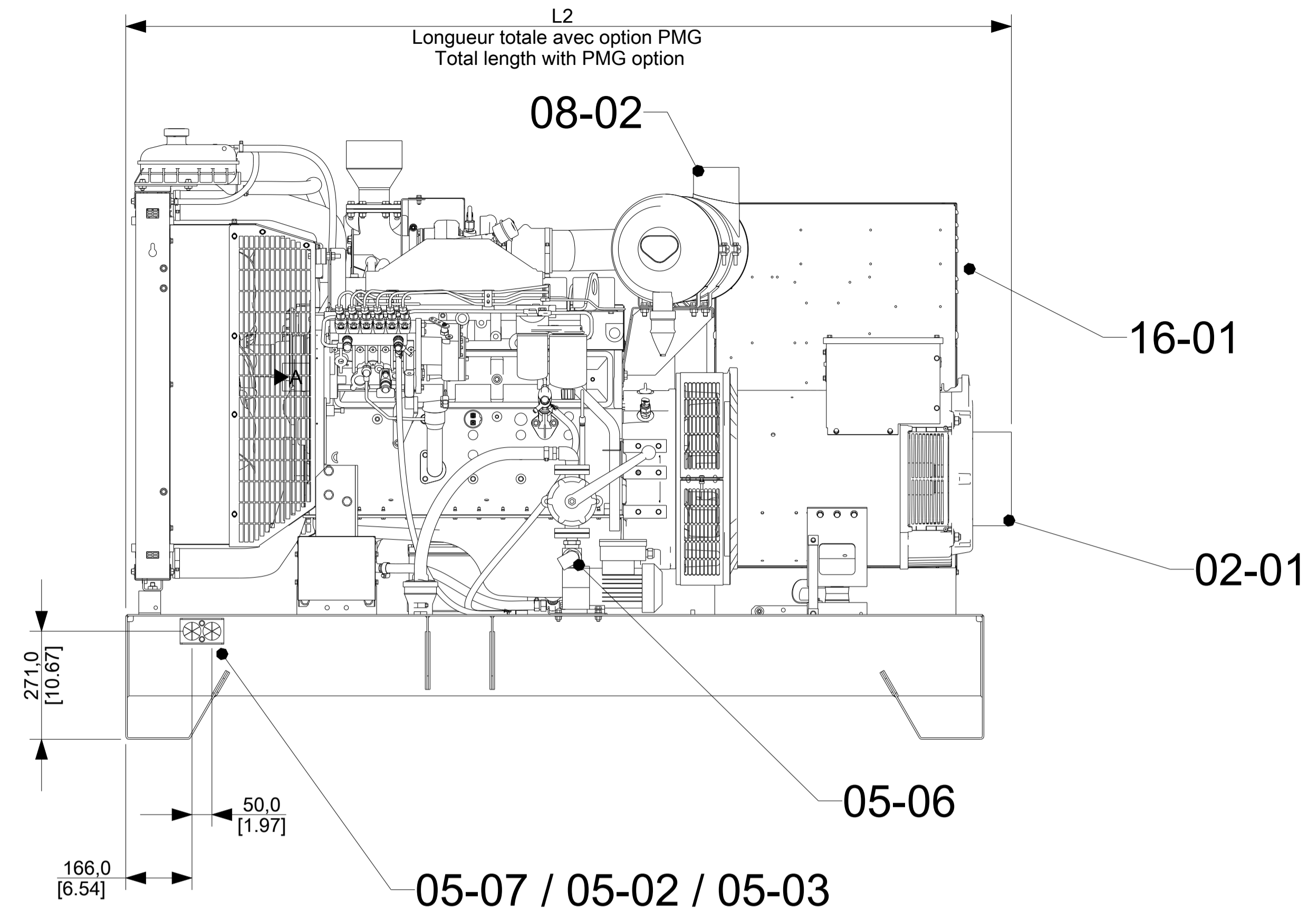
FRONT VIEW - LIFTING



ATTENTION !! LA MANUTENTION DU GROUPE DOIT ETRE FAITE SANS LE PLEIN DE FUEL
WARNING !! HANDLING OF GENSET MUST BE MADE WITHOUT FUEL

REV	DATE	ON COMPOSITE DWGS. SEE PART NO. FOR REVISION LEVEL. E INDICATES PART NUMBERS AFFECTED BY LATEST DRAWING REVISION.	BY	THIS ASSEMBLY OR PART MUST COMPLY WITH PEP-RML-001. REFERENCE CAD MODEL FOR UNSPECIFIED DIMENSIONS.	DO NOT SCALE	
-	11FEB2025	RELEASE FOR PRODUCTION	PS			
A	02OCT2025	UPDATE	PS			MAJOR: 0 CRITICAL: 0 CHARACTERISTICS COMPLY WITH AFS-8002 UNLESS OTHERWISE SPECIFIED: 1) DIMENSIONS ARE IN MILLIMETERS 2) TOLERANCES: NF ISO13920 CLA E
					SCALE: 1:1	SHEET SIZE: A1
					SHEET: 2 OF 3	
					TITLE: DIMENSION PRINT, KD130, FRAME STD	
					DWG. NO. 30001567501	
					THIS DRAWING IN DESIGN AND DETAIL IS SOMO INDUSTRIES PROPERTY AND MUST NOT BE USED EXCEPT IN CONNECTION WITH SOMO INDUSTRIES WORK. ALL RIGHTS OF DESIGN OR INVENTION ARE RESERVED.	

16 15 14 13 12 11 10 9 8 7 6 5 4 3 2 1



	L2 (mm/inch)
KH00753T	2151 / 84.68
KH01051T	2221 / 87.44
KH01052T	2221 / 87.44

ITEM	DESCRIPTION	COMMENT.
02-01	PMG	
04-05	POMPE VIDANGE HUILE / OIL DRAIN PUMP	
05-02	ASPIRATION FUEL / ASPIRATION FUEL	Ø10
05-03	RETOUR FUEL / FUEL OUTLET	Ø08
05-06	REMPLISSAGE AUTO FUEL / FUEL TANK AUTO FILLING	3/4G Tuyau/Pipe Ø25mm
05-07	CONNECTION FUEL RESERVOIR EXT / SEPARATE TANK CONNECTION	
08-02	FILTRE(S) A AIR AMBIANCE POUSSIEREUSE / HEAVY DUTY AIR FILTER(S)	
09-01	SORTIE ECHAPPEMENT / EXHAUST OUTLET	Ø114.7mm/4.51in
16-01	PUPITRE COMMANDE / CONTROL PANEL	

ATTENTION !! LA MANUTENTION DU GROUPE DOIT ETRE FAITE SANS LE PLEIN DE FUEL
 WARNING !! HANDLING OF GENSET MUST BE MADE WITHOUT FUEL

REV	DATE	ON COMPOSITE DWGS. SEE PART NO. FOR REVISION LEVEL. INDICATES PART NUMBERS AFFECTED BY LATEST DRAWING REVISION.	BY	THIS ASSEMBLY OR PART MUST COMPLY WITH PEP-RML-001. REFERENCE CAD MODEL FOR UNSPECIFIED DIMENSIONS.	
-	11FEB2025	RELEASE FOR PRODUCTION	PS		MAJOR: 0 CRITICAL: 0 FIRST ANGLE PROJECTION
A	02OCT2025	UPDATE	PS		UNLESS OTHERWISE SPECIFIED: 1) DIMENSIONS ARE IN MILLIMETERS 2) TOLERANCES: NF ISO13920 CLA E
				SCALE: 1:1	SHEET SIZE: A1
				DRAWN: PS	DATE: 29JUL2025
				APPROVED: SEE FILM SYSTEM	TITLE: DIMENSION PRINT, KD130, FRAME STD
				DWG NO. 30001567501	SHEET: 3 OF 3

THIS DRAWING IN DESIGN AND DETAIL IS SOMO INDUSTRIES PROPERTY AND MUST NOT BE USED EXCEPT IN CONNECTION WITH SOMO INDUSTRIES WORK. ALL RIGHTS OF DESIGN OR INVENTION ARE RESERVED.