

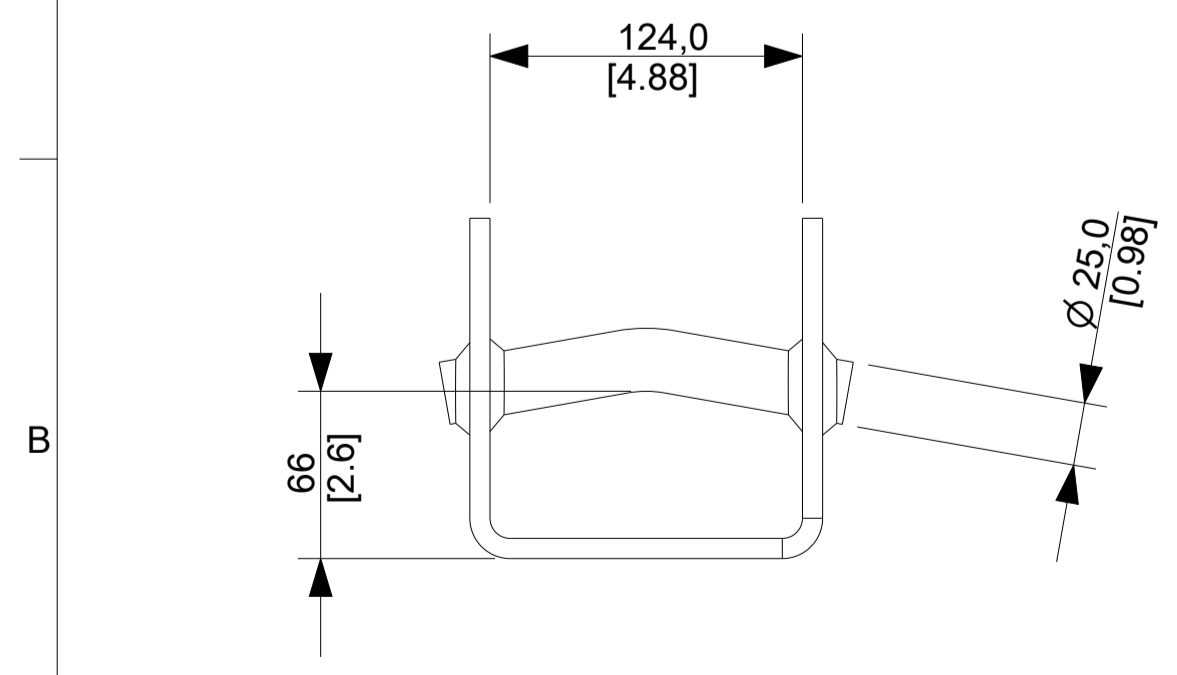
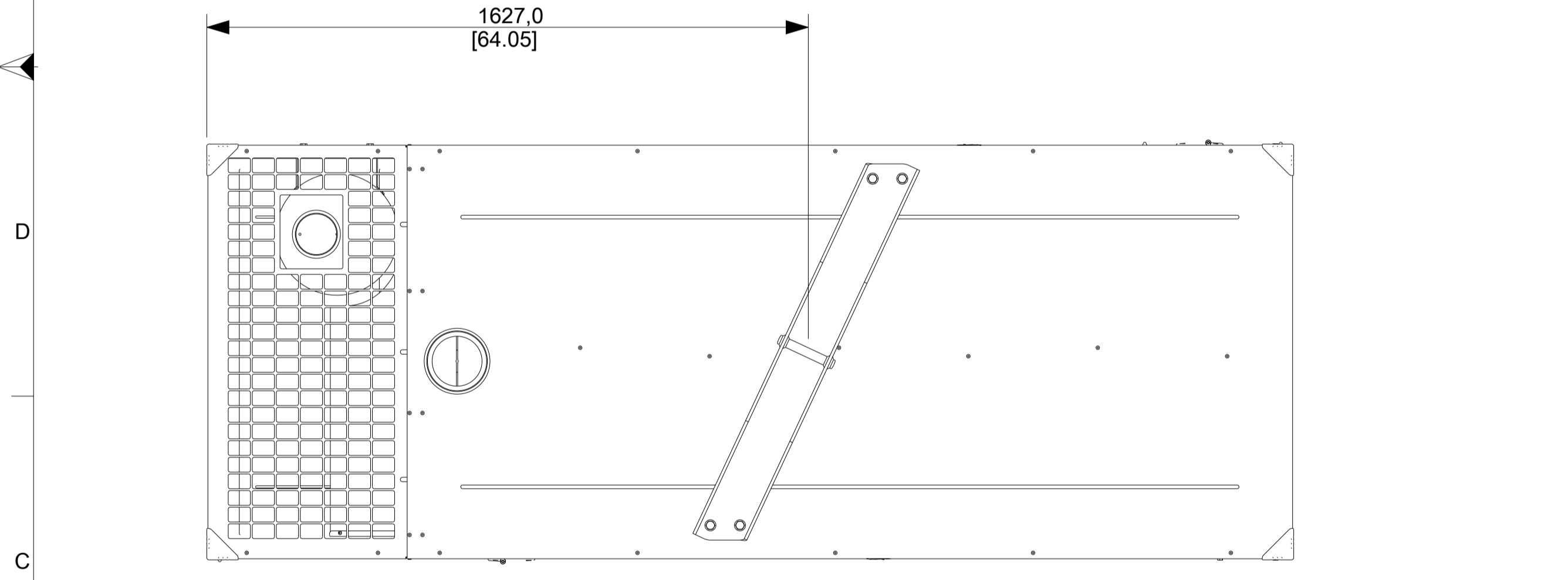
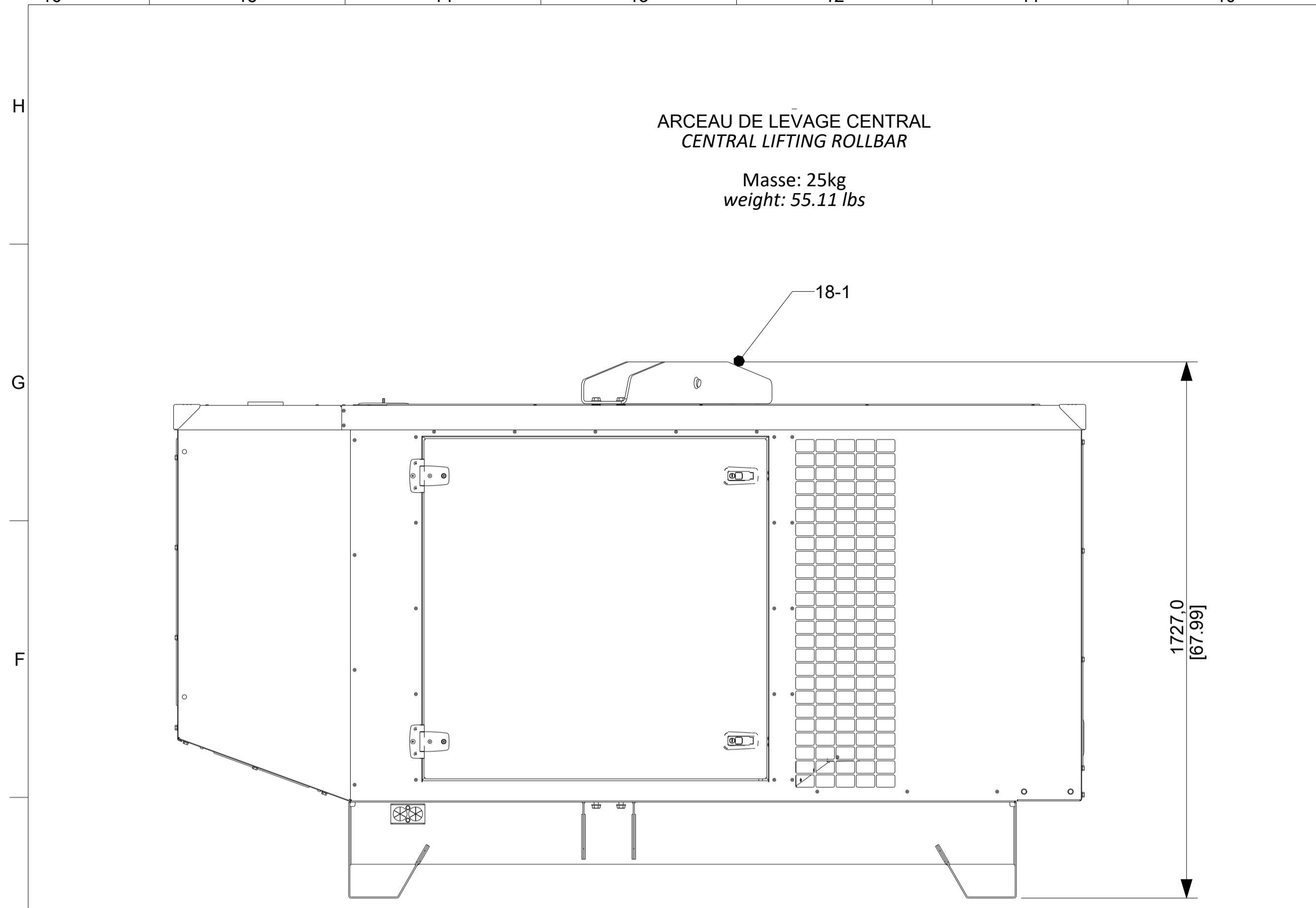
ITEM	DESCRIPTION	COMMENT.
0-5	REJET D'AIR/AIR OUTLET	
0-6	ENTREE D'AIR/AIR INLET	
03-02	REPLISSAGE EAU / COOLANT FILLING	
05-02	ASPIRATION FUEL / ASPIRATION FUEL	Ø10
05-03	RETOUR FUEL / FUEL OUTLET	Ø08
05-06	REPLISSAGE AUTO FUEL / FUEL TANK AUTO FILLING	3/4G Tuyau/Pipe Ø25mm
05-07	CONNECTION FUEL RESERVOIR EXT / SEPARATE TANK CONNECTION	
05-09	VIDANGE FUEL / FUEL DRAIN	Ø3/4
09-01	SORTIE ECHAPPEMENT / EXHAUST OUTLET	Ø114mm/4.48in
14-3	PORTE ACCES CARBURANT ET MAINTENANCE/FUEL AND MAINTENANCE ACCESSE DOOR	
14-4	PANNEAU DEMONTABLE/REMOVABLE PANEL	
16-3	PORTE ACCES PUPITRE/CONTROL PANEL ACCESS DOOR	
16-05	ARRET D'URGENCE / EMERGENCY STOP	
16-08	SORTIE CABLES PUISSANCE / POWER CABLES OUTLET	

MOTEUR ENGINE	ALTERNATEUR / ALTERNATOR	MASSE / WEIGHT (kg / lbs) +/- 5%		COG (mm / inch) OdM / Wet	
		A vide / Dry	OdM / Wet	CG Horizontal	CG Vertical
KD59L06T-AW	KH00753T	1560 / 3439	1830 / 4034	1490 / 59	700 / 28
	KH01051T	1620 / 3571	1890 / 4166	1520 / 60	700 / 28
	KH01052T	1620 / 3571	1890 / 4166	1520 / 60	700 / 28
KD59L06T-AA	KH01191T	1670 / 3681	1940 / 4277	1530 / 60	700 / 28
	KH01342T	1700 / 3747	1970 / 4343	1550 / 61	700 / 28
	KH01680T	1810 / 3990	2080 / 4585	1590 / 63	690 / 27

Ce plan peut-être révisé sans préavis. This drawing may be revised without any notice.

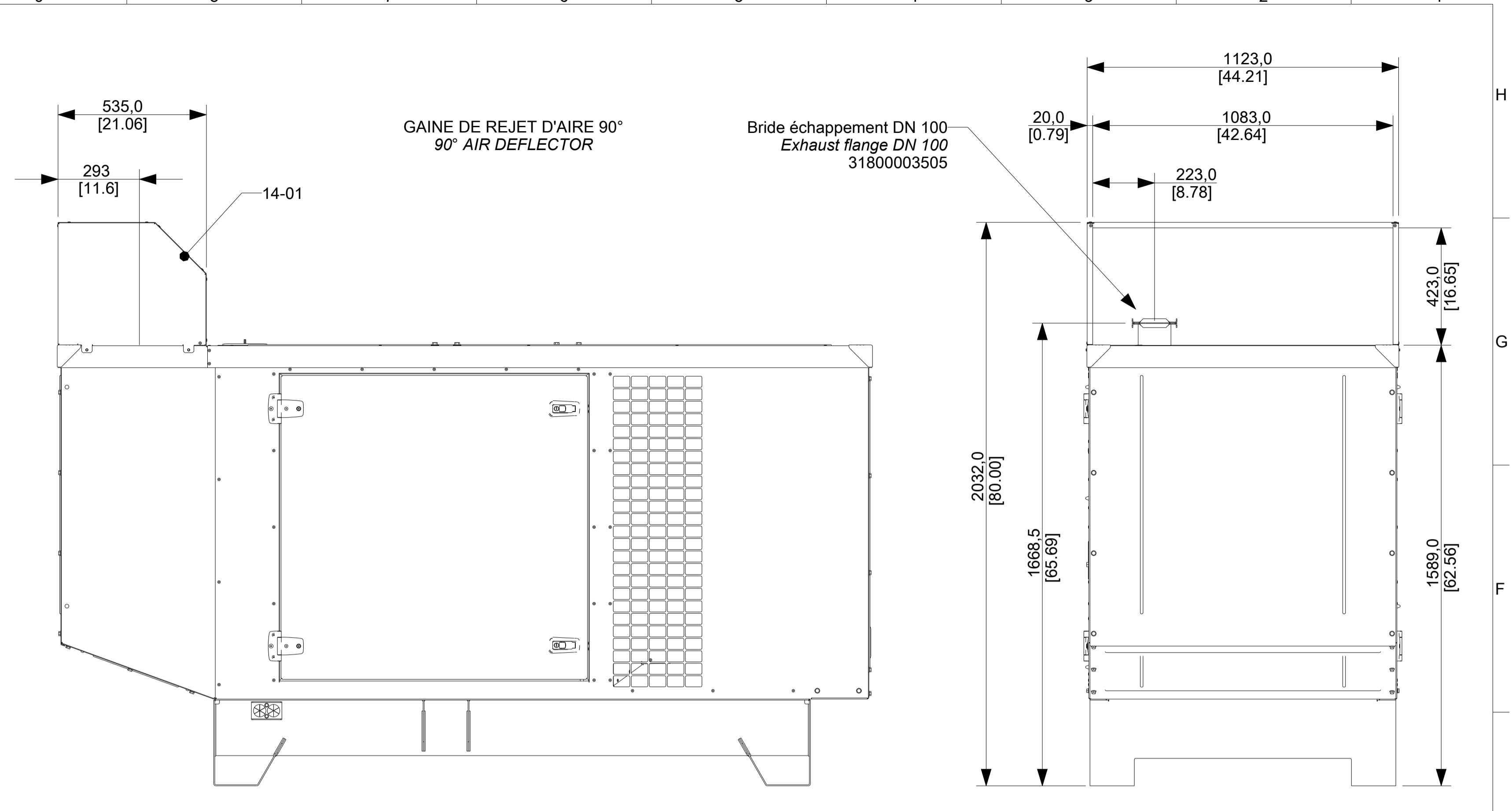
REV	DATE	ON COMPOSITE DWGS. SEE PART NO. FOR REVISION LEVEL. INDICATES PART NUMBERS AFFECTED BY LATEST DRAWING REVISION	BY	THIS ASSEMBLY OR PART MUST COMPLY WITH PEP-RML-001. REFERENCE CAD MODEL FOR UNSPECIFIED DIMENSIONS.
-	11FEB2025	RELEASE FOR PRODUCTION	SP	
A	03OCT2025	UPDATE	SP	
		UNLESS OTHERWISE SPECIFIED: 1) DIMENSIONS ARE IN MILLIMETERS 2) TOLERANCES: NF ISO19020 CL A-E	DO NOT SCALE. MAJOR: 0 CRITICAL: 0 FIRST ANGLE PROJECTION CHARACTERISTICS COMPLY WITH NPS 8002	
		DRAWN: SEE PLM SYSTEM	DATE: 18SEP2024	SCALE: 1:1 SHEET SIZE: A1 TITLE: DIMENSION PRINT, M148 CANOPY, FRAME STD SHEET: 1 OF 3
		APPROVED:	DATE: 18SEP2024	DWG NO. 30001567601

ATTENTION !! LA MANUTENTION DU GROUPE DOIT ETRE FAITE SANS LE PLEIN DE FUEL
WARNING !! HANDLING OF GENSET MUST BE MADE WITHOUT FUEL

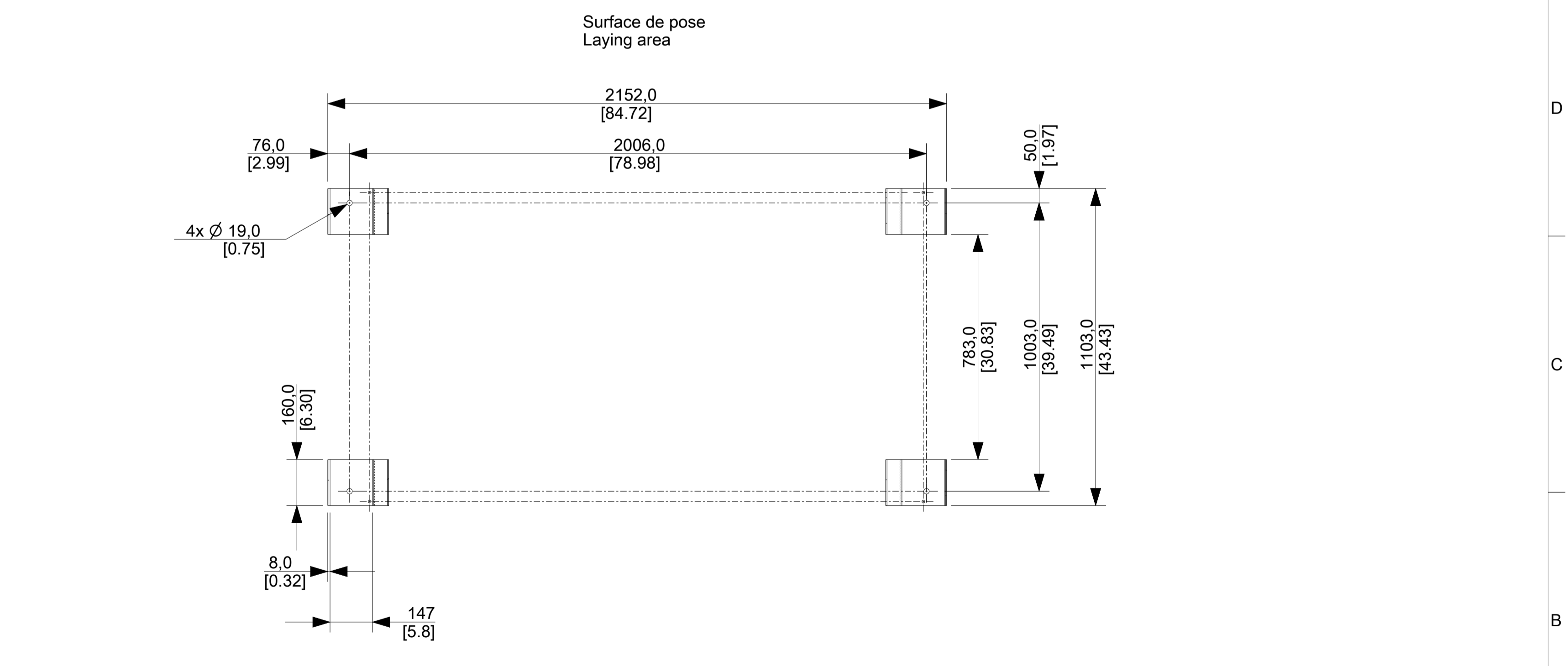


Détail point de levage
(Lifting base detail)

TYPE	DESCRIPTION FR/EN	COMMENTS
18-1	ARCEAU/ANNEAU/PATTES DE LEVAGE CENTRAL/CENTRAL LIFTING EYE/ROLLBAR/LUGS	DEMONTABLE APRES INSTALLATION/ REMOVALB AFTER INSTALLATION



ITEM	DESCRIPTION	COMMENT.
14-01	GAINE REJET AIR CAPOT INTERIEUR / AIR DUCT FOR INTERNAL CANOPY USAGE	



ATTENTION !! LA MANUTENTION DU GROUPE DOIT ETRE FAITE SANS LE PLEIN DE FUEL
WARNING !! HANDLING OF GENSET MUST BE MADE WITHOUT FUEL

REV	DATE	ON COMPOSITE DWGS. SEE PART NO. FOR REVISION LEVEL. C INDICATES PART NUMBERS AFFECTED BY LATEST DRAWING REVISION	BY	THIS ASSEMBLY OR PART MUST COMPLY WITH PEP-RML-001. REFERENCE CAD MODEL FOR UNSPECIFIED DIMENSIONS.
-	11FEB2025	RELEASE FOR PRODUCTION	SP	
A	3OCT2025	UPDATE	SP	

DO NOT SCALE.
UNLESS OTHERWISE SPECIFIED:
1) DIMENSIONS ARE IN MILLIMETERS
2) TOLERANCES: NF ISO1990 CL A/E

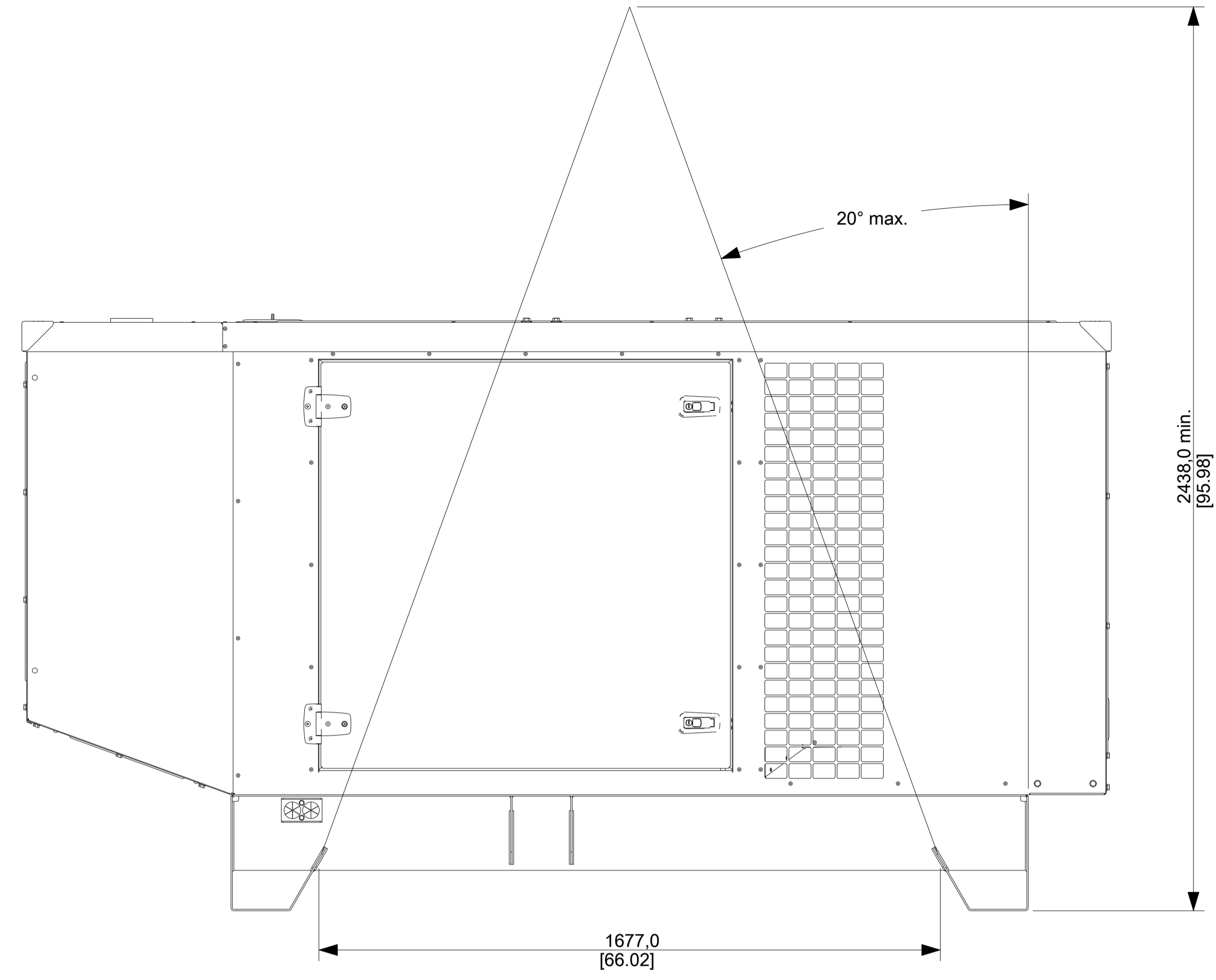
SCALE: 1:1 (SHEET SIZE: A1) SHEET: 2 OF 3

TITLE: DIMENSION PRINT, M148 CANOPY, FRAME STD
DWG NO. 30001567601

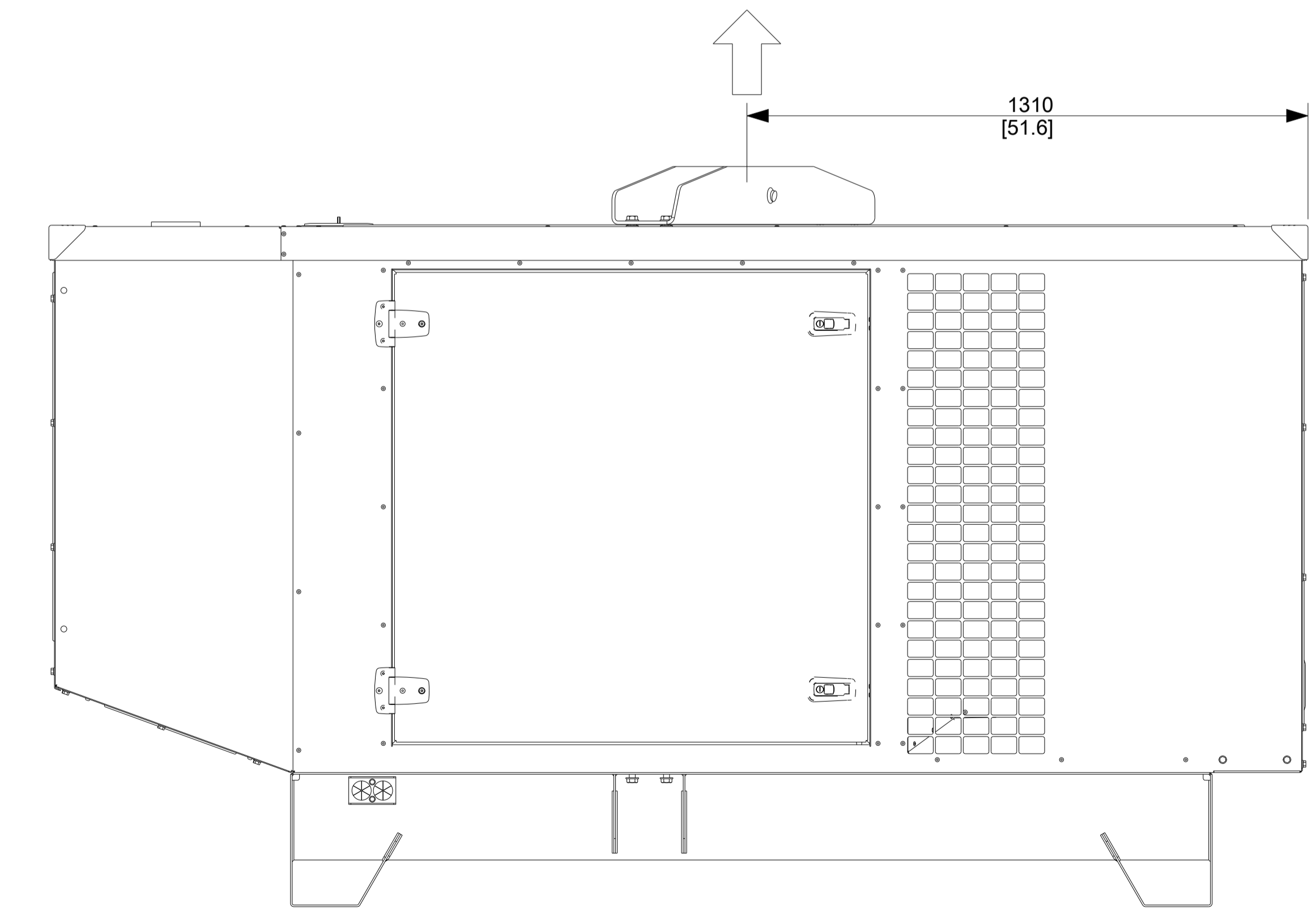
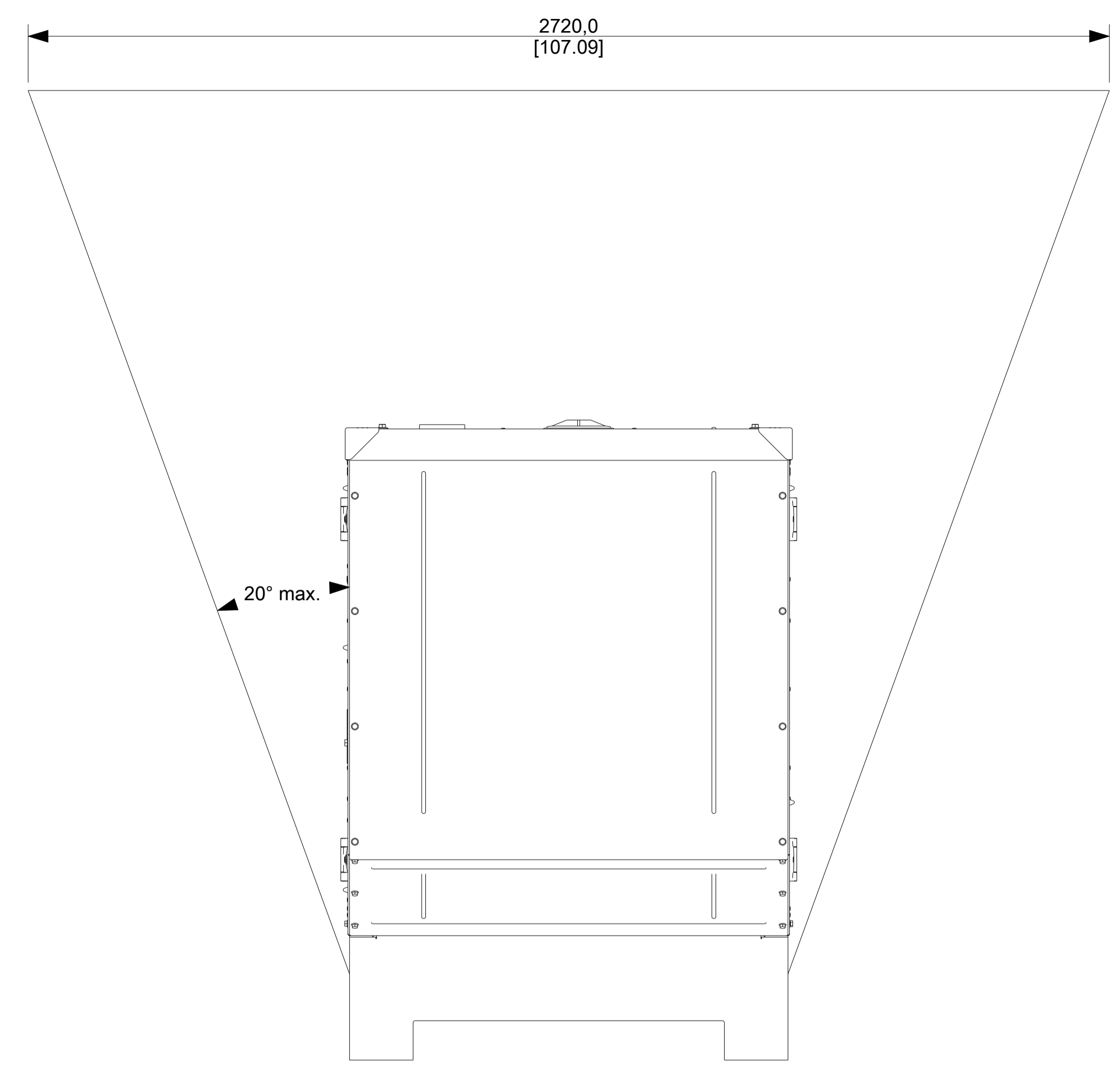
DRAWN: PS DATE: 07JAN2025
APPROVED: SEE PLM SYSTEM

16 15 14 13 12 11 10 9 8 7 6 5 4 3 2 1

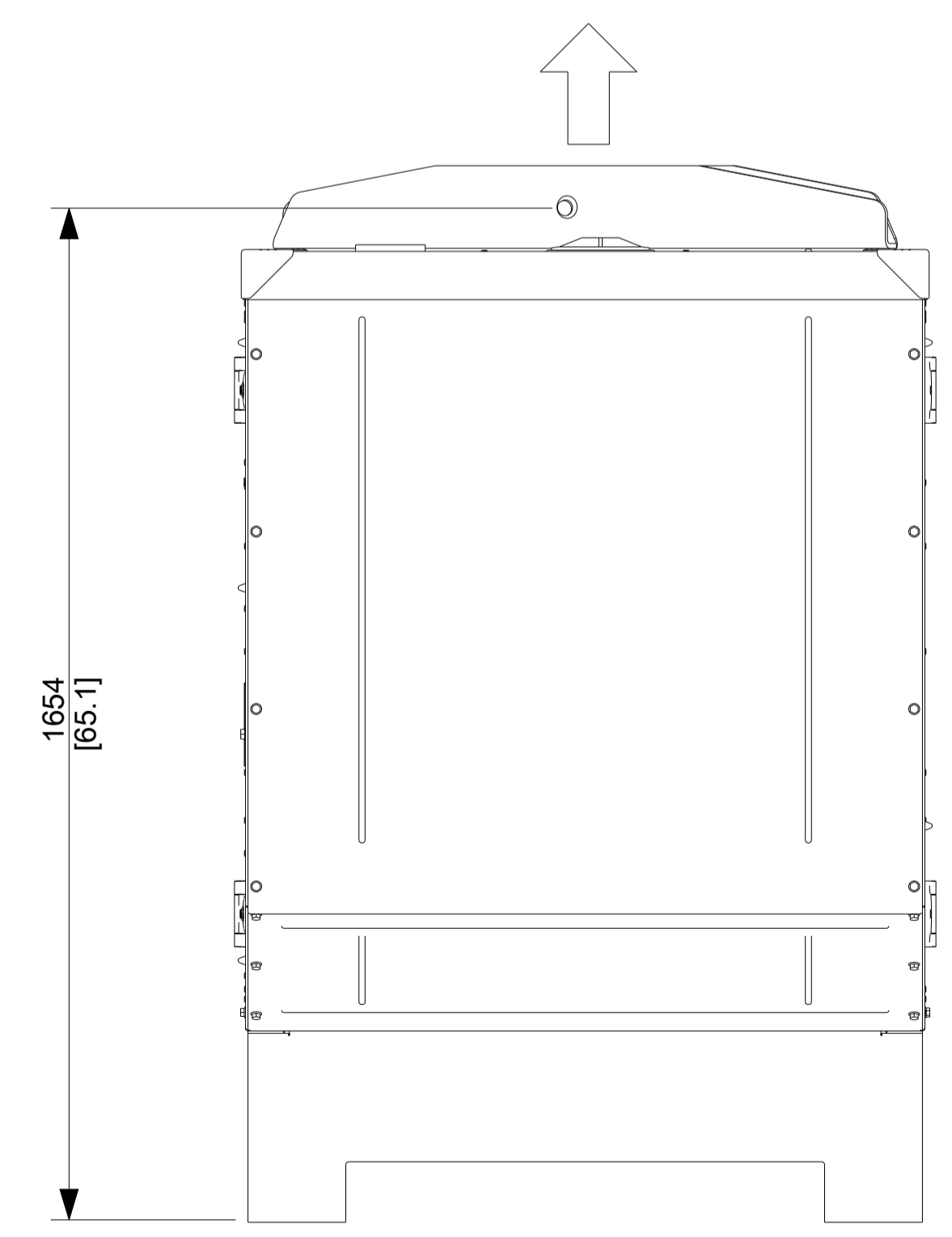
H
G
F
E
D
C
B
A



LEVAGÉ SANS
ARCEAU DE LEVAGE CENTRAL
LIFTING WITHOUT
CENTRAL LIFTING ROLLBAR



LEVAGÉ AVEC
ARCEAU DE LEVAGE CENTRAL
LIFTING WITH
CENTRAL LIFTING ROLLBAR



ATTENTION !! LA MANUTENTION DU GROUPE DOIT ETRE FAITE SANS LE PLEIN DE FUEL
WARNING !! HANDLING OF GENSET MUST BE MADE WITHOUT FUEL

REV	DATE	ON COMPOSITE DWGS. SEE PART NO. FOR REVISION LEVEL. C INDICATES PART NUMBERS AFFECTED BY LATEST DRAWING REVISION.	BY	THIS ASSEMBLY OR PART MUST COMPLY WITH PEP-RML-001. REFERENCE CAD MODEL FOR UNSPECIFIED DIMENSIONS.
-	27AUG2025	RELEASE FOR PRODUCTION	SP	MAJOR 0
A	30CT2025	UPDATE	SP	CRITICAL 0
				CHARACTERISTICS COMPLY WITH KPS-8002
				SCALE: 1:10 SHEET SIZE: A1 SHEET: 3 OF 3
				TITLE: DIMENSION PRINT, M148 CANOPY, FRAME STD
				DWG NO. 30001567601
				APPROVED: SEE PLM SYSTEM DATE: 27AUG2025

16 15 14 13 12 11 10 9 8 7 6 5 4 3 2 1

THIS DRAWING IN DESIGN AND DETAIL IS SDMO INDUSTRIES PROPERTY AND MUST NOT BE USED EXCEPT IN CONNECTION WITH SDMO INDUSTRIES WORK. ALL RIGHTS OF DESIGN OR INVENTION ARE RESERVED.