

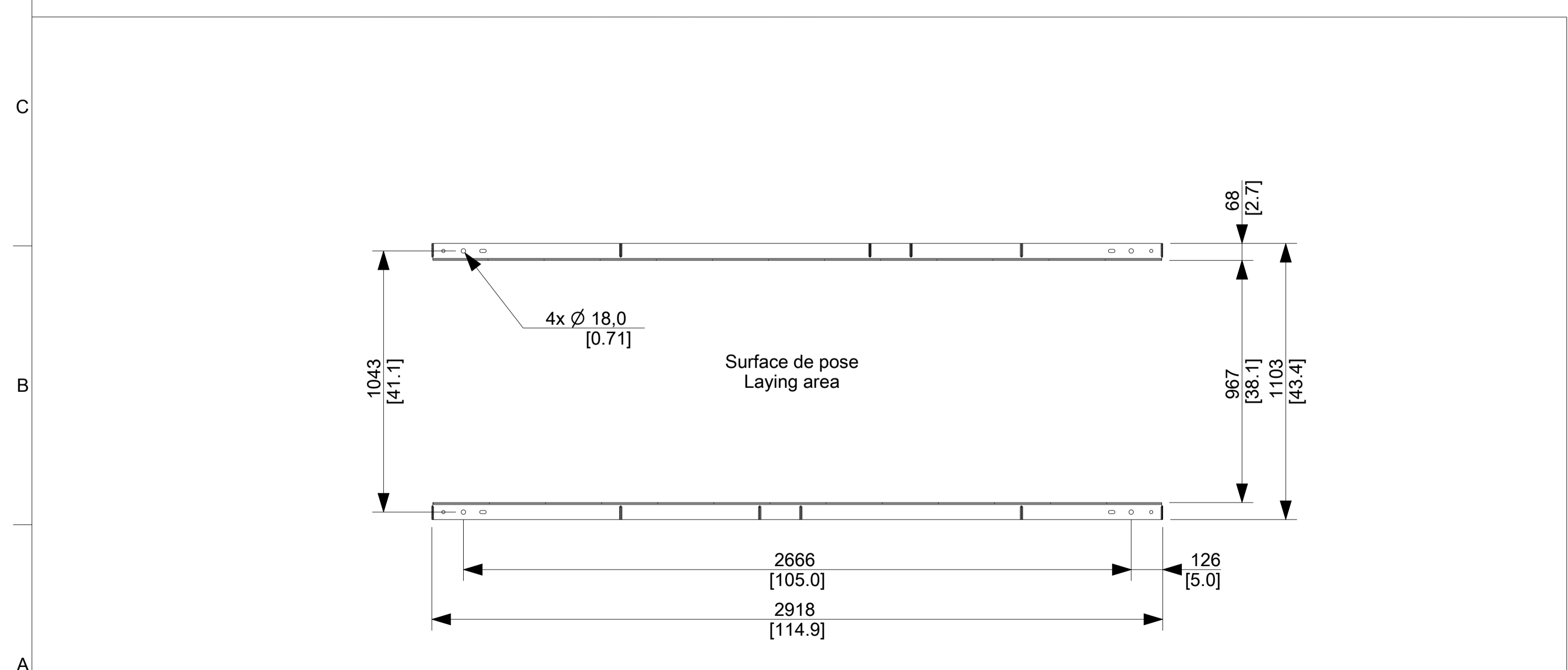
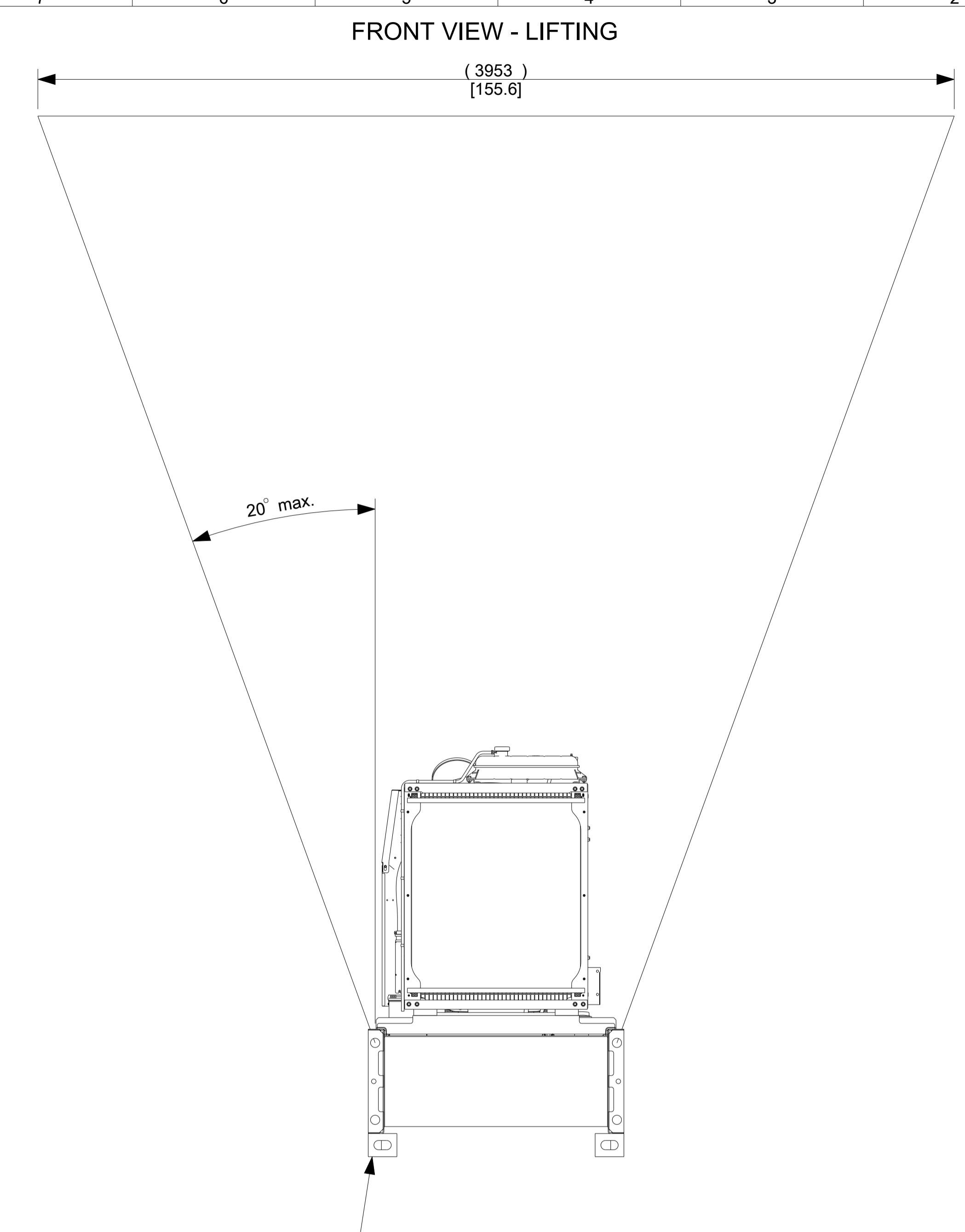
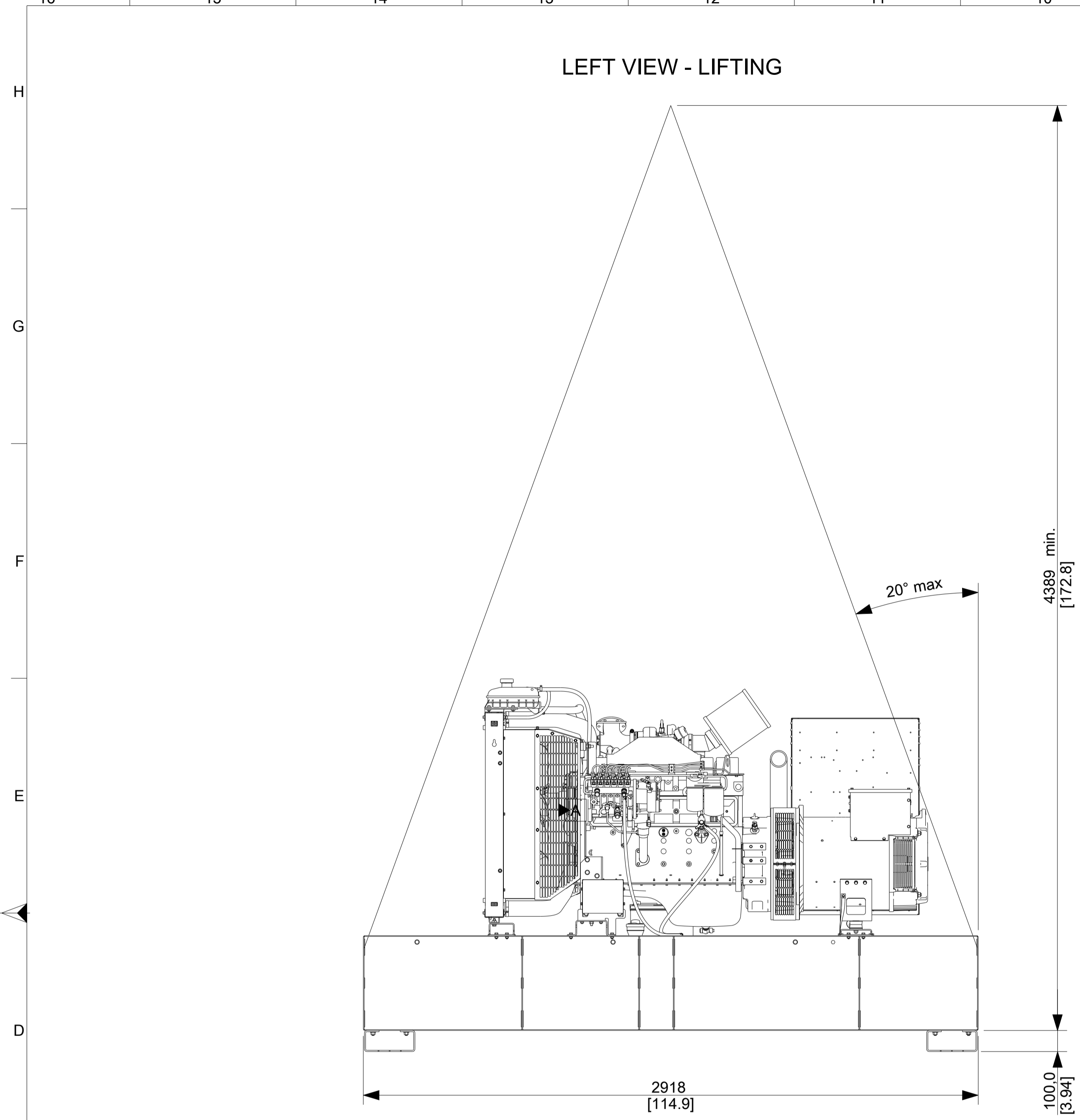
ITEM	DESCRIPTION
03-01	VIDANGE EAU / COOLANT DRAIN
03-02	REPLISSAGE EAU / COOLANT FILLING
04-01	VIDANGE HUILE / OIL DRAIN
04-02	REPLISSAGE HUILE / OIL FILLING
04-03	JAUGE NIVEAU HUILE / OIL DIPSTICK
05-01	REPLISSAGE FUEL / FUEL FILLING
07-01	SIMPLE DEMARRAGE / SINGLE STARTING
08-01	FILTRE(S) A AIR / AIR FILTER(S)
09-01	SORTIE ECHAPPEMENT / EXHAUST OUTLET
16-01	PUPITRE COMMANDE / CONTROL PANEL
16-08	SORTIE CABLES PUISSANCE / POWER CABLES OUTLET

MOTEUR ENGINE	ALTERNATEUR / ALTERNATOR	MASSE / WEIGHT (kg / lbs) +/- 5%		COG (mm / inch) Odm / Wet	
		A vide / Dry	Odm / Wet	CG Horizontal	CG Vertical
KD59L06T-AW	KH00753T	1400 / 3086	2000 / 4409	1590 / 63	400 / 16
	KH01051T	1460 / 3218	2060 / 4541	1620 / 64	410 / 16
	KH01052T	1460 / 3218	2060 / 4541	1620 / 64	410 / 16

ATTENTION !! LA MANUTENTION DU GROUPE DOIT ETRE FAITE SANS LE PLEIN DE FUEL
WARNING !! HANDLING OF GENSET MUST BE MADE WITHOUT FUEL

Ce plan peut-être révisé sans préavis. This drawing may be revised without any notice.

REV	DATE	ON COMPOSITE DWGS. SEE PART NO. FOR REVISION LEVEL. 0 INDICATES PART NUMBERS AFFECTED BY LATEST DRAWING REVISION.	BY	THIS ASSEMBLY OR PART MUST COMPLY WITH PEP-RML-001. REFERENCE CAD MODEL FOR UNSPECIFIED DIMENSIONS.	DO NOT SCALE	
-	03SEP2025	RELEASE FOR PRODUCTION	STN			
A	03OCT2025	UPDATE	SP			
UNLESS OTHERWISE SPECIFIED: 1) DIMENSIONS ARE IN MILLIMETERS 2) TOLERANCES: NF ISO13920 CLA E				SCALE: 1:10 SHEET SIZE: A1		FIRST ANGLE PROJECTION
DRAWN: STN DATE:				TITLE: DIMENSION PRINT, KD130, DW24H		
APPROVED: SEE FILM SYSTEM 03SEP2025				DWG NO. 30001568801		
THIS DRAWING IN DESIGN AND DETAIL IS SOMO INDUSTRIES PROPERTY AND MUST NOT BE USED EXCEPT IN CONNECTION WITH SOMO INDUSTRIES WORK. ALL RIGHTS OF DESIGN OR INVENTION ARE RESERVED.						

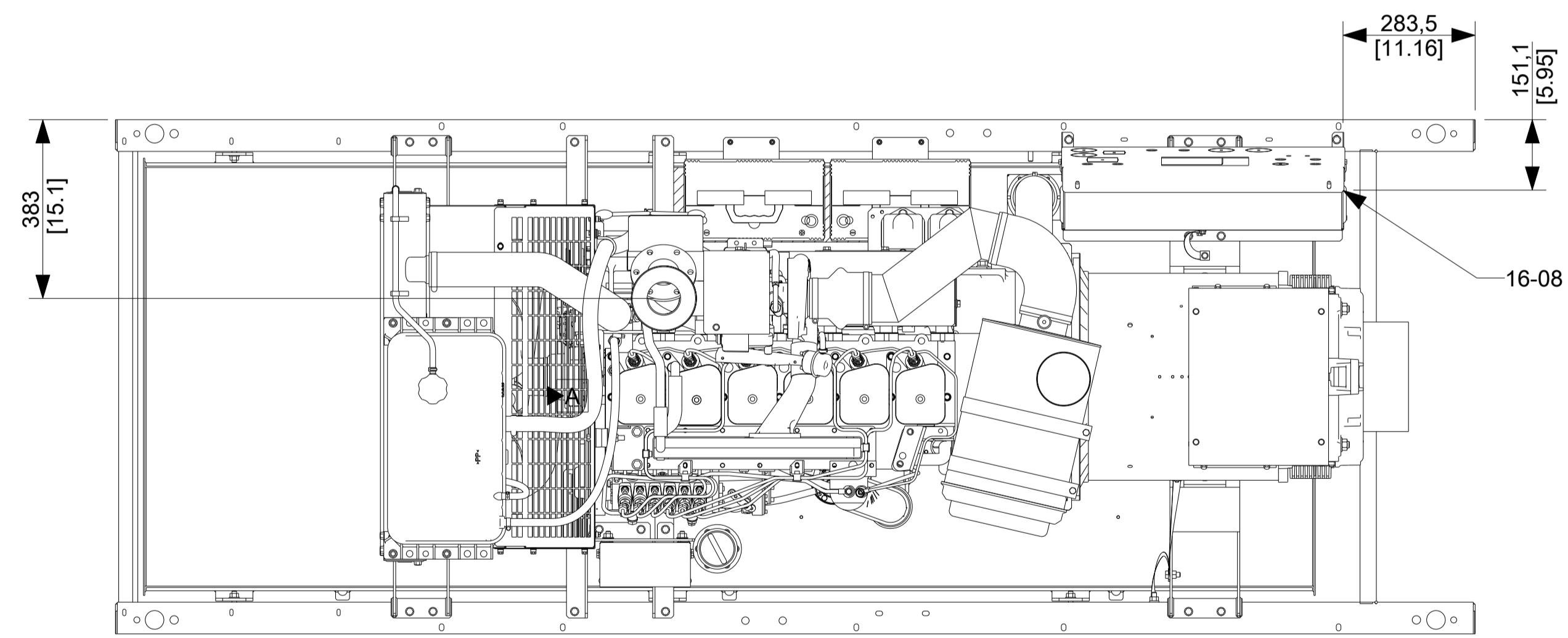
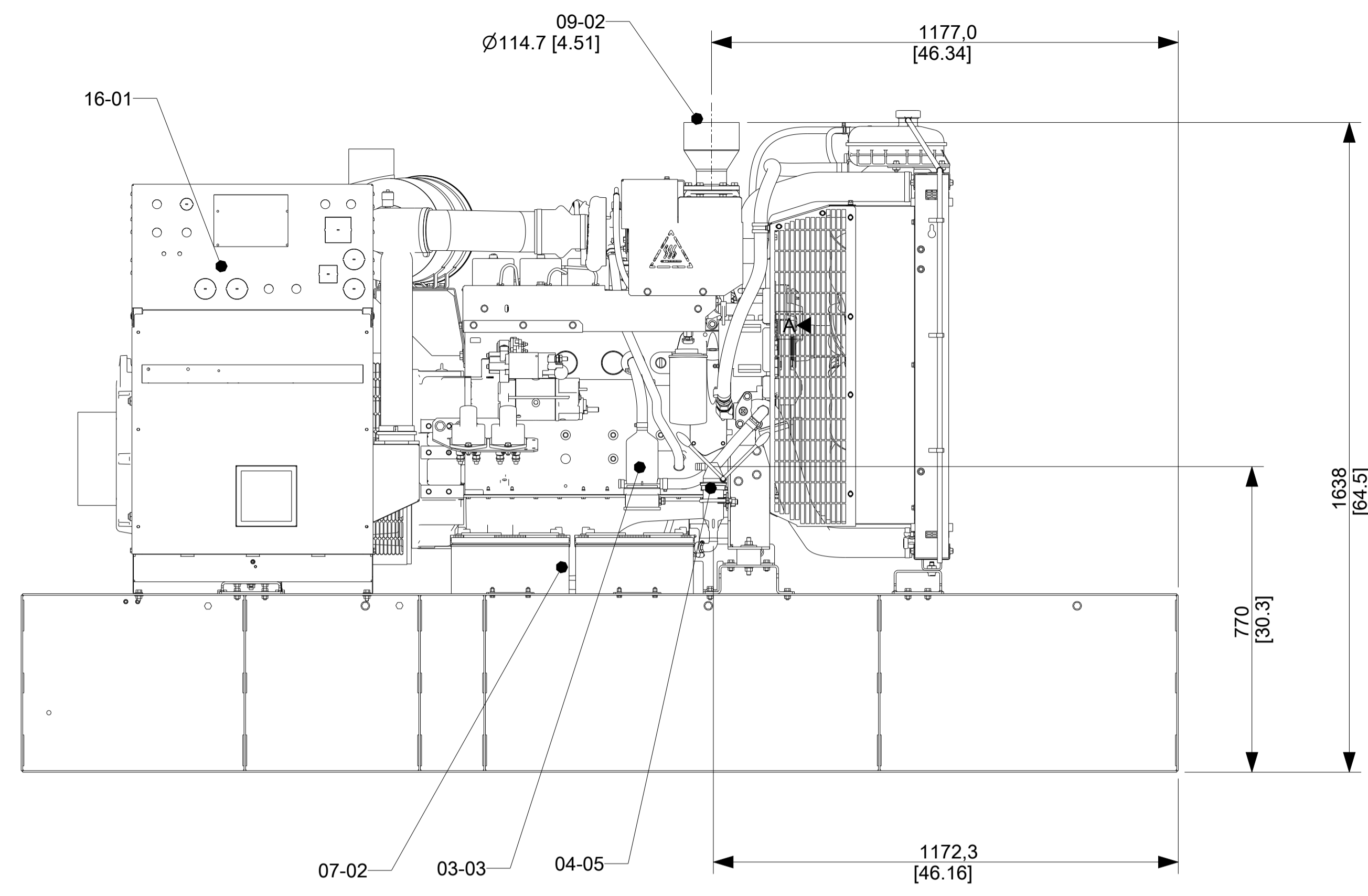
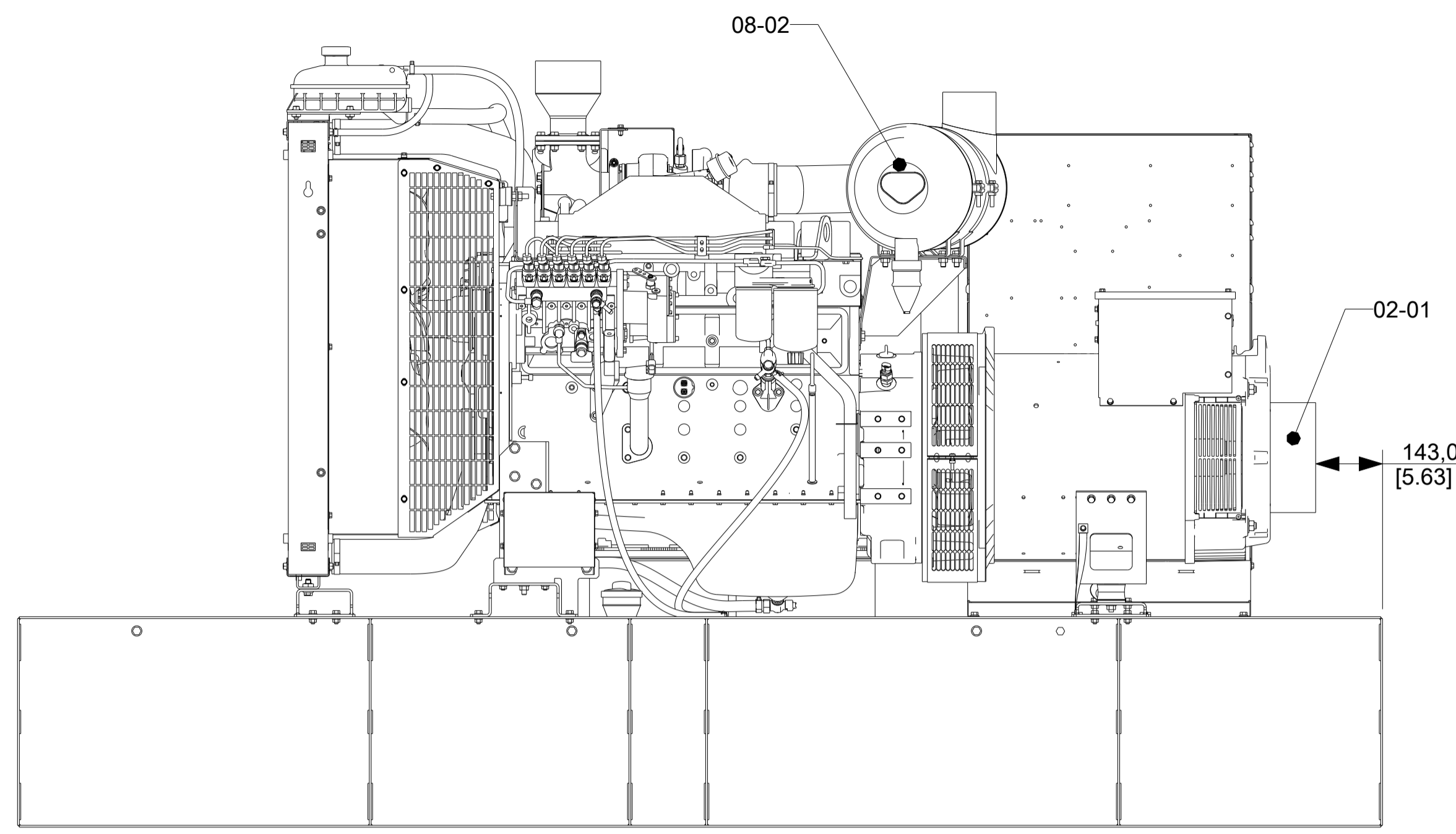


PIEDS DE TRANSPORT A DEMONTER AVANT INSTALLATION
TRANSPORT FEET TO BE REMOVED BEFORE INSTALLATION

ATTENTION !! LA MANUTENTION DU GROUPE DOIT ETRE FAITE SANS LE PLEIN DE FUEL
WARNING !! HANDLING OF GENSET MUST BE MADE WITHOUT FUEL

Ce plan peut-être révisé sans préavis. This drawing may be revised without any notice.

REV		DATE	ON COMPOSITE DWGS. SEE PART NO. FOR REVISION LEVEL. INDICATES PART NUMBERS AFFECTED BY LATEST DRAWING REVISION	BY	THIS ASSEMBLY OR PART MUST COMPLY WITH PEP-RML-001. REFERENCE CAD MODEL FOR UNSPECIFIED DIMENSIONS.	DO NOT SCALE			
-	03SEP2025	RELEASE FOR PRODUCTION	STN			MAJOR	0		FIRST ANGLE PROJECTION
A	03OCT2025	UPDATE	SP			CRITICAL	0		
UNLESS OTHERWISE SPECIFIED: 1) DIMENSIONS ARE IN MILLIMETERS 2) TOLERANCES: NF ISO13920 CLA E						CHARACTERISTICS COMPLY WITH AFS-8002			
DRAWN: STN						DATE:	SCALE: 1:15	SHEET SIZE: A1	SHEET: 2 OF 3
APPROVED: SEE FILM SYSTEM						03SEP2025	TITLE: DIMENSION PRINT, KD130, DW24H		
						DWG. NO.:	30001568801		
THIS DRAWING IN DESIGN AND DETAIL IS SOMO INDUSTRIES PROPERTY AND MUST NOT BE USED EXCEPT IN CONNECTION WITH SOMO INDUSTRIES WORK. ALL RIGHTS OF DESIGN OR INVENTION ARE RESERVED.									



ITEM	DESCRIPTION
02-01	PMG
03-03	PRECHAUFFAGE EAU / COOLANT PREHEATING SYSTEM
04-05	POMPE VIDANGE HUILE / OIL DRAIN PUMP
07-02	DOUBLE DEMARRAGE / DUAL STARTING
08-02	FILTRE(S) A AIR AMBIANCE POUSSIEREUSE / HEAVY DUTY AIR FILTER(S)
09-01	SORTIE ECHAPPEMENT / EXHAUST OUTLET
16-01	PUPITRE COMMANDE / CONTROL PANEL
16-08	SORTIE CABLES PUISSANCE / POWER CABLES OUTLET

ATTENTION !! LA MANUTENTION DU GROUPE DOIT ETRE FAITE SANS LE PLEIN DE FUEL
 WARNING !! HANDLING OF GENSET MUST BE MADE WITHOUT FUEL

Ce plan peut-être révisé sans préavis. This drawing may be revised without any notice.

REV	DATE	ON COMPOSITE DWGS. SEE PART NO. FOR REVISION LEVEL. E INDICATES PART NUMBERS AFFECTED BY LATEST DRAWING REVISION.	BY	THIS ASSEMBLY OR PART MUST COMPLY WITH PEP-RML-001. REFERENCE CAD MODEL FOR UNSPECIFIED DIMENSIONS.	
-	03SEP2025	RELEASE FOR PRODUCTION	STN		MAJOR 0 CRITICAL 0 FIRST ANGLE PROJECTION
A	03OCT2025	UPDATE	SP		UNLESS OTHERWISE SPECIFIED: 1) DIMENSIONS ARE IN MILLIMETERS 2) TOLERANCES: NF ISO13920 CLA E
			DRAWN: STN	DATE:	SCALE: 1:10 SHEET SIZE: A1 SHEET: 3 OF 3
			APPROVED: SEE PLM SYSTEM	03SEP2025	TITLE: DIMENSION PRINT, KD130, DW24H
					DWG NO. 30001568801

THIS DRAWING IN DESIGN AND DETAIL IS SOMO INDUSTRIES PROPERTY AND MUST NOT BE USED EXCEPT IN CONNECTION WITH SOMO INDUSTRIES WORK. ALL RIGHTS OF DESIGN OR INVENTION ARE RESERVED.