

PIEDS DE TRANSPORT A DEMONTER AVANT INSTALLATION  
 TRANSPORT FEET TO BE REMOVED BEFORE INSTALLATION

ATTENTION !! LA MANUTENTION DU GROUPE DOIT ETRE FAITE SANS LE PLEIN DE FUEL  
 WARNING !! HANDLING OF GENSET MUST BE MADE WITHOUT FUEL

ITEM	DESCRIPTION	COMMENT.
0-5	REJET D'AIR/AIR OUTLET	
0-6	ENTREE D'AIR/AIR INLET	
03-02	REPLISSAGE EAU / COOLANT FILLING	
09-01	SORTIE ECHAPPEMENT / EXHAUST OUTLET	Ø114mm/4.48in
14-3	PORTE ACCES CARBURANT ET MAINTENANCE/FUEL AND MAINTENANCE ACCESSE DOOR	
14-4	PANNEAU DEMONTABLE/REMOVABLE PANEL	
16-3	PORTE ACCES PUPITRE/CONTROL PANEL ACCESS DOOR	
16-05	ARRET D'URGENCE / EMERGENCY STOP	
16-08	SORTIE CABLES PUISSANCE / POWER CABLES OUTLET	

MOTEUR ENGINE	ALTERNATEUR / ALTERNATOR	MASSE / WEIGHT (kg / lbs) +/- 5%		COG (mm / inch) OdM / Wet	
		A vide / Dry	Odm / Wet	CG Horizontal	CG Vertical
<b>KD59L06T-AW</b>	KH00753T	1790 / 3946	2400 / 5291	1580 / 62	500 / 20
	KH01051T	1850 / 4078	2460 / 5423	1600 / 63	500 / 20
	KH01052T	1850 / 4078	2460 / 5423	1600 / 63	500 / 20
<b>KD59L06T-AA</b>	KH01191T	1900 / 4188	2500 / 5511	1610 / 63	500 / 20
	KH01342T	1940 / 4277	2540 / 5599	1630 / 64	510 / 20
	KH01680T	2050 / 4519	2650 / 5842	1660 / 65	510 / 20

DO NOT SCALE THIS ASSEMBLY OR PART MUST COMPLY WITH PEP-RML-001. REFERENCE CAD MODEL FOR UNSPECIFIED DIMENSIONS.

reihko

SCALE: 1:12.5 SHEET SIZE: A1 SHEET: 1 OF 2

TITLE: DIMENSION PRINT, M148 CANOPY, DW24H

DWG NO. 30001569201

DATE: 26AUG2025

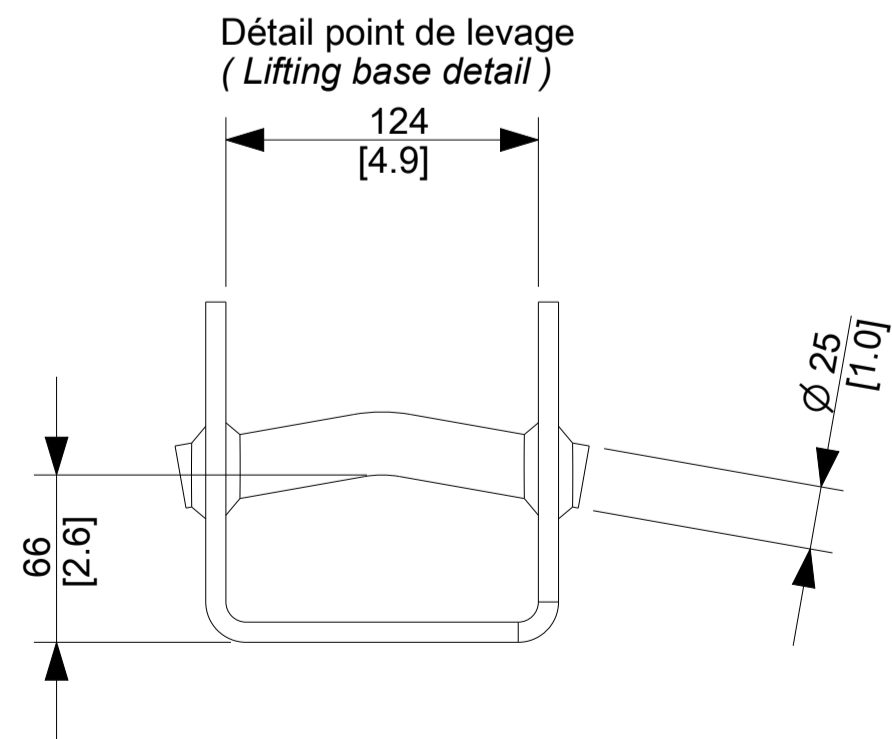
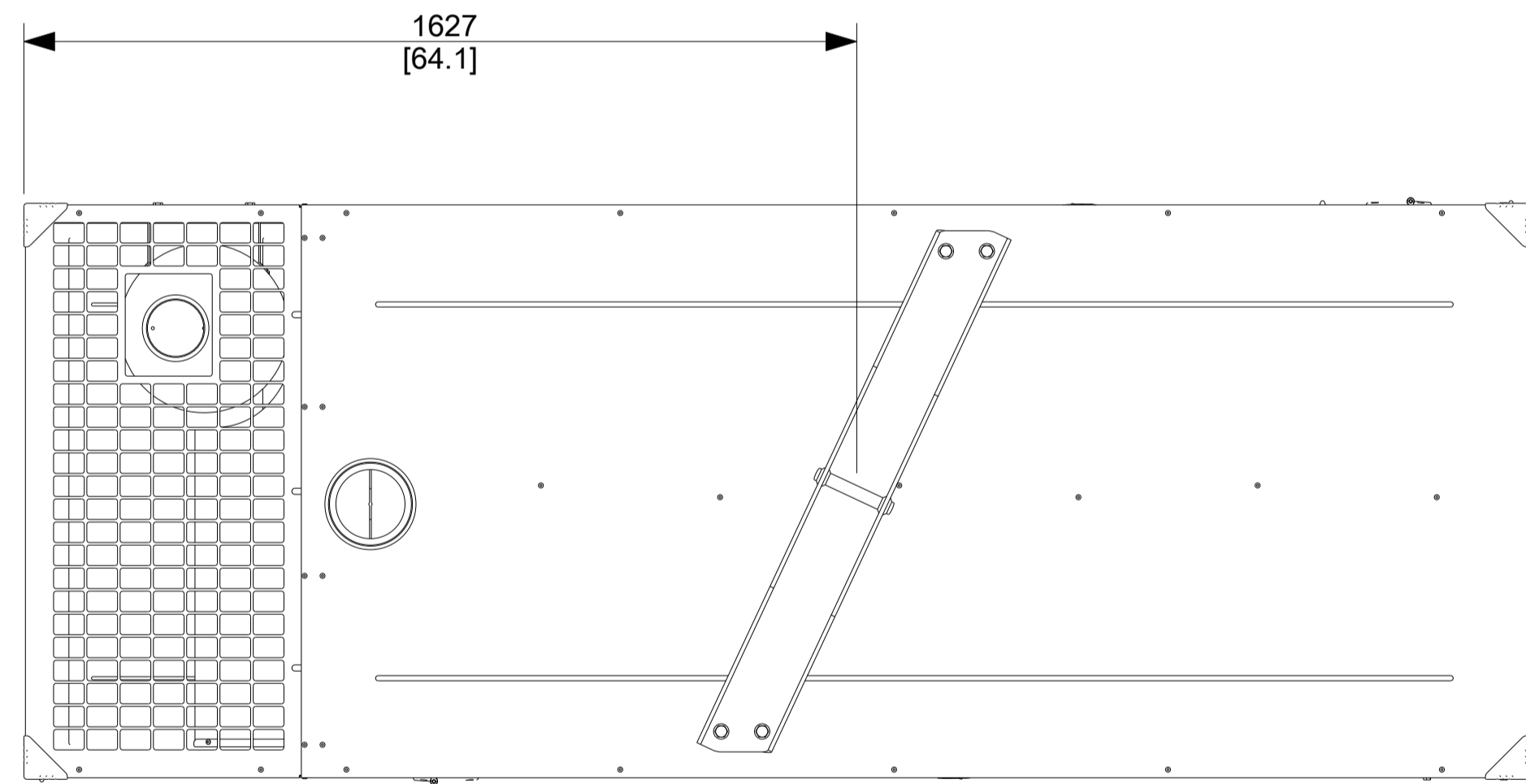
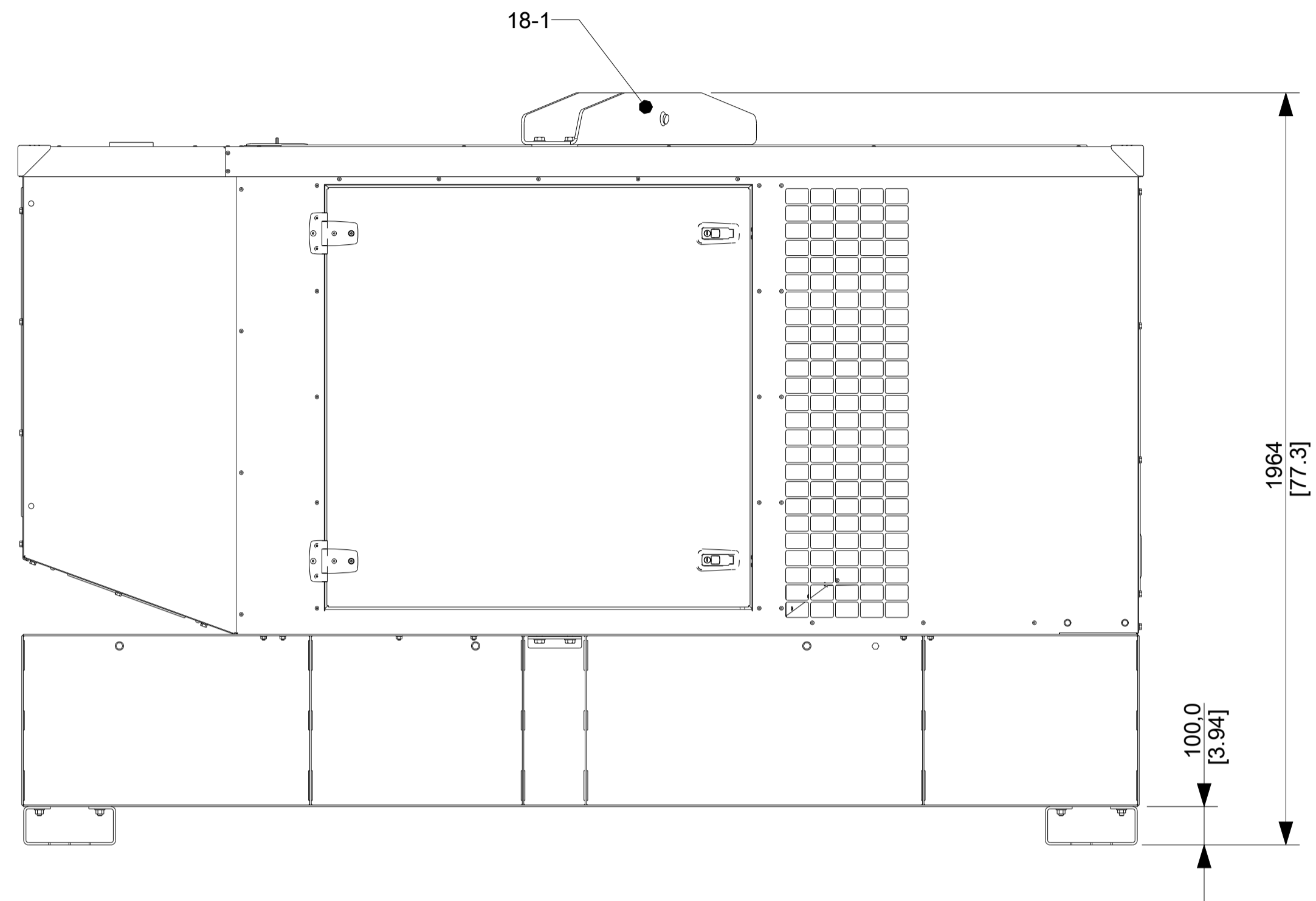
BY: STN

APPROVED: SEE PLM SYSTEM

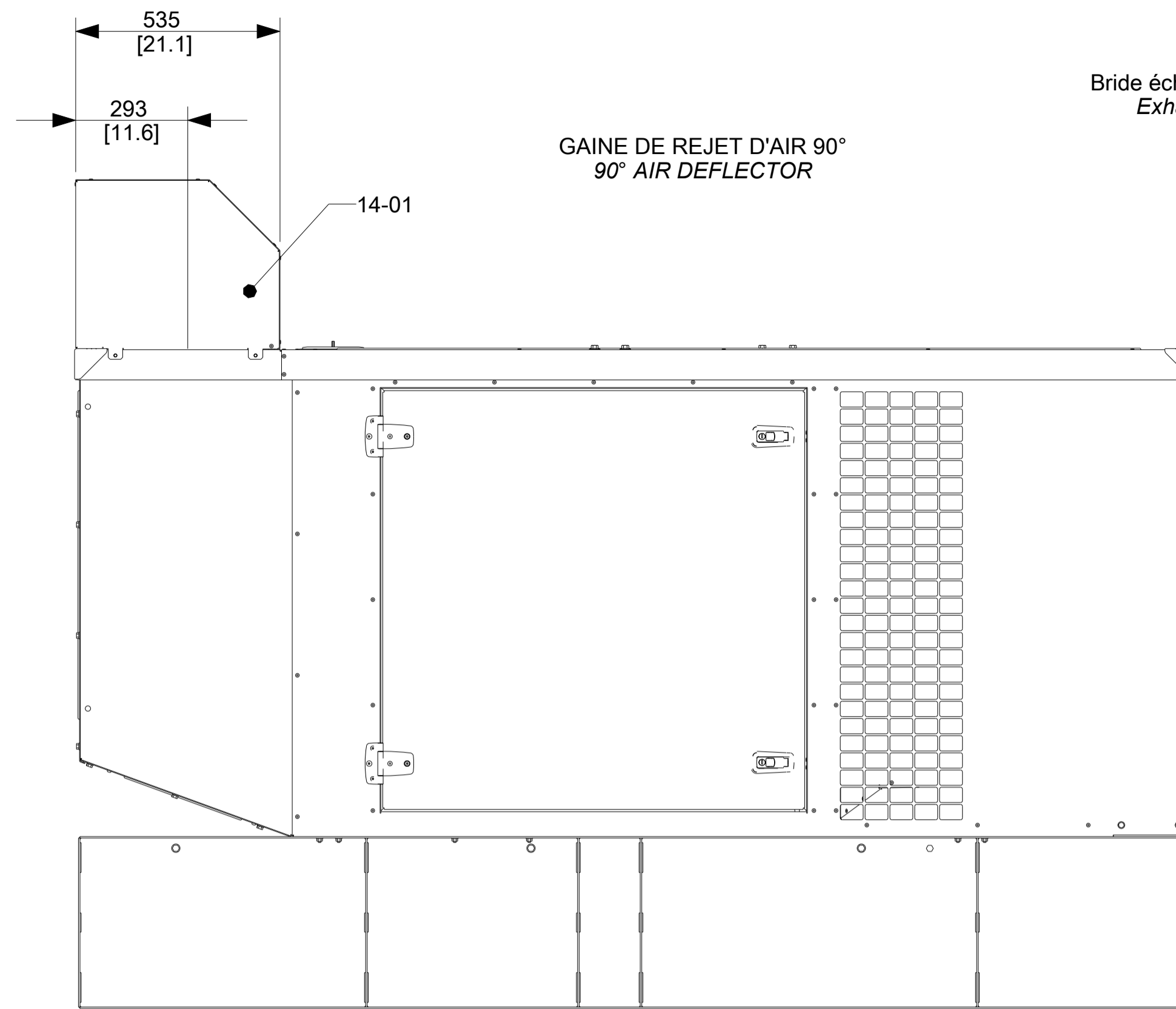
Ce plan peut-être révisé sans préavis. This drawing may be revised without any notice.

ARCEAU DE LEVAGE CENTRAL  
CENTRAL LIFTING ROLLBAR

Masse: 25kg  
weight: 55.11 lbs

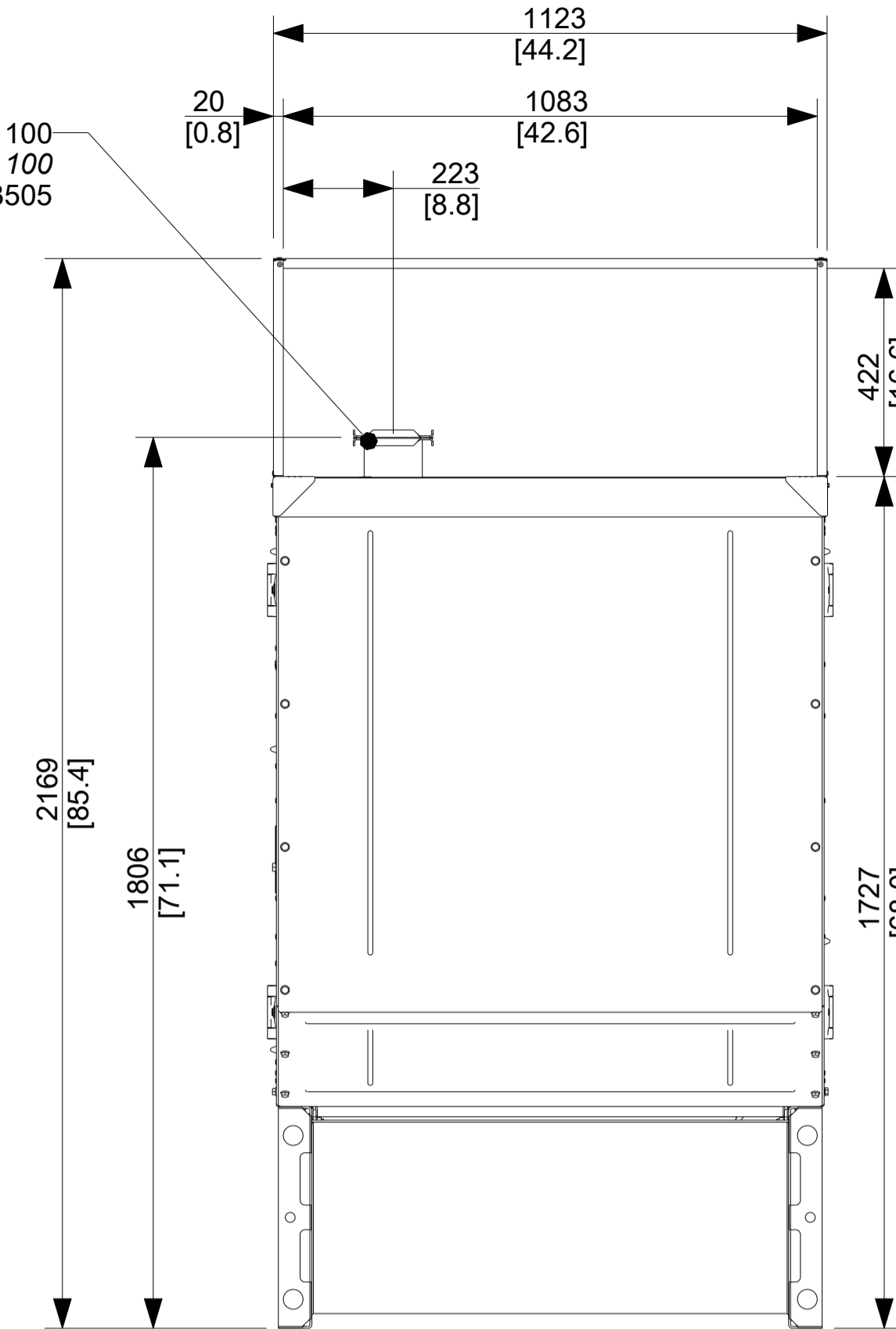


TYPE	DESCRIPTION FR/EN	COMMENTS
18-1	ARCEAU/ANNEAU/PATTES DE LEVAGE CENTRAL/CENTRAL LIFTING EYE/ROLLBAR/LUGS	DEMONTABLE APRES INSTALLATION/REMOVALB AFTER INSTALLATION

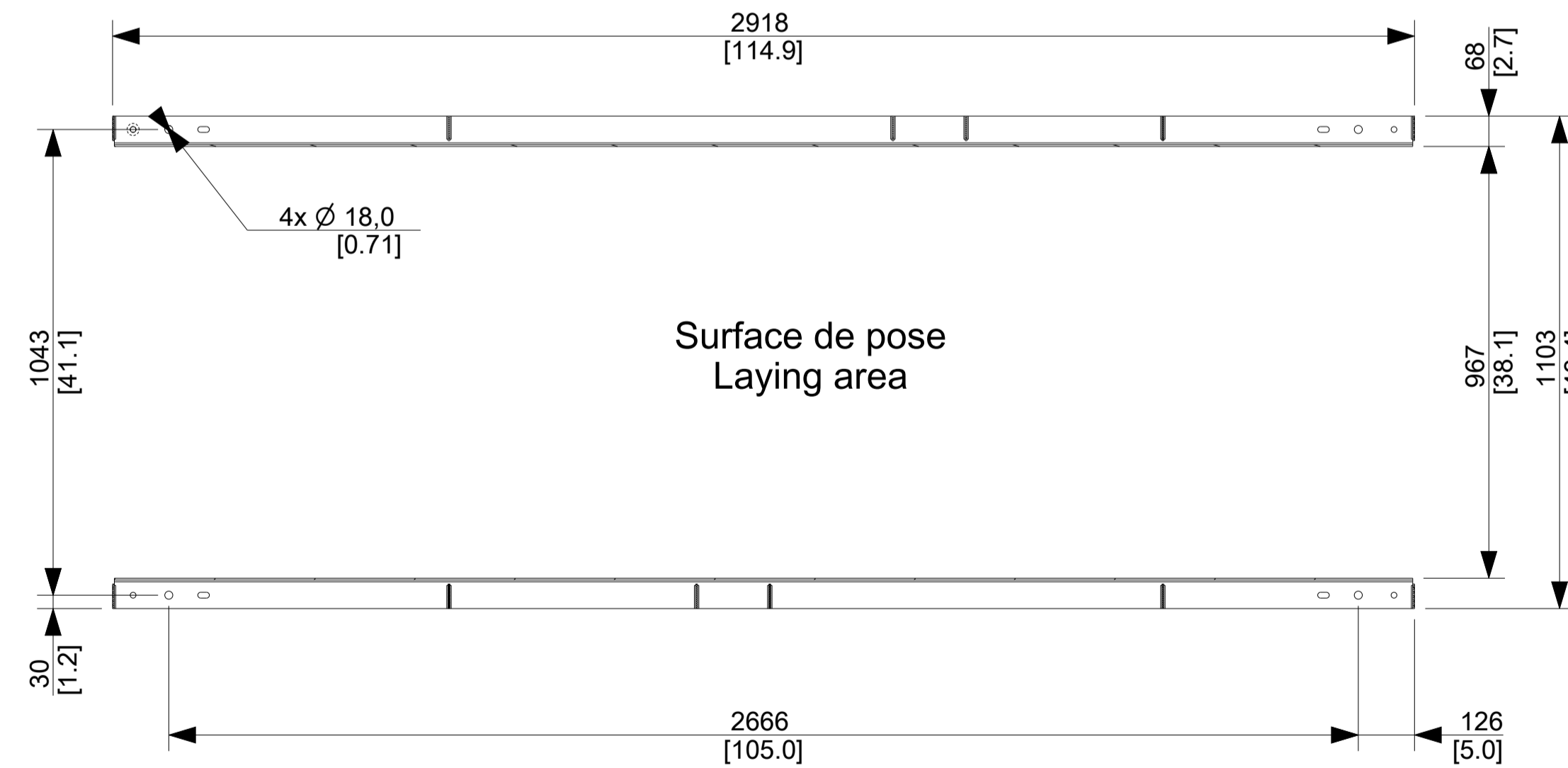


GAINES DE REJET D'AIR 90°  
90° AIR DEFLECTOR

Bride échappement DN 100  
Exhaust flange DN 100  
31800003505



ITEM	DESCRIPTION	COMMENT.
14-01	GAINES REJET AIR CAPOT INTERIEUR / AIR DUCT FOR INTERNAL CANOPY USAGE	



Surface de pose  
Laying area

ATTENTION !! LA MANUTENTION DU GROUPE DOIT ETRE FAITE SANS LE PLEIN DE FUEL  
WARNING !! HANDLING OF GENSET MUST BE MADE WITHOUT FUEL

REV	DATE	ON COMPOSITE DWGS. SEE PART NO. FOR REVISION LEVEL. ID INDICATES PART NUMBERS AFFECTED BY LATEST DRAWING REVISION	BY	THIS ASSEMBLY OR PART MUST COMPLY WITH PEP-RML-001. REFERENCE CAD MODEL FOR UNSPECIFIED DIMENSIONS.	MAJOR	0	CRITICAL	0	FIRST ANGLE PROJECTION
-	26AUG2025	RELEASE FOR PRODUCTION	STN						
A	02OCT2025	UPDATE	SP						
				UNLESS OTHERWISE SPECIFIED: 1) DIMENSIONS ARE IN MILLIMETERS 2) TOLERANCES: NF ISO13920 CLA E		SCALE: 1:12		SHEET SIZE: A1	
				DRAWN: MF		DATE: 05AUG2025		TITLE: DIMENSION PRINT, M148 CANOPY, DW24H	
				APPROVED: SEE PDM SYSTEM		DWG NO. 30001569201		SHEET: 2 OF 2	

THIS DRAWING IN DESIGN AND DETAIL IS SOMO INDUSTRIES PROPERTY AND MUST NOT BE USED EXCEPT IN CONNECTION WITH SOMO INDUSTRIES WORK. ALL RIGHTS OF DESIGN OR INVENTION ARE RESERVED.