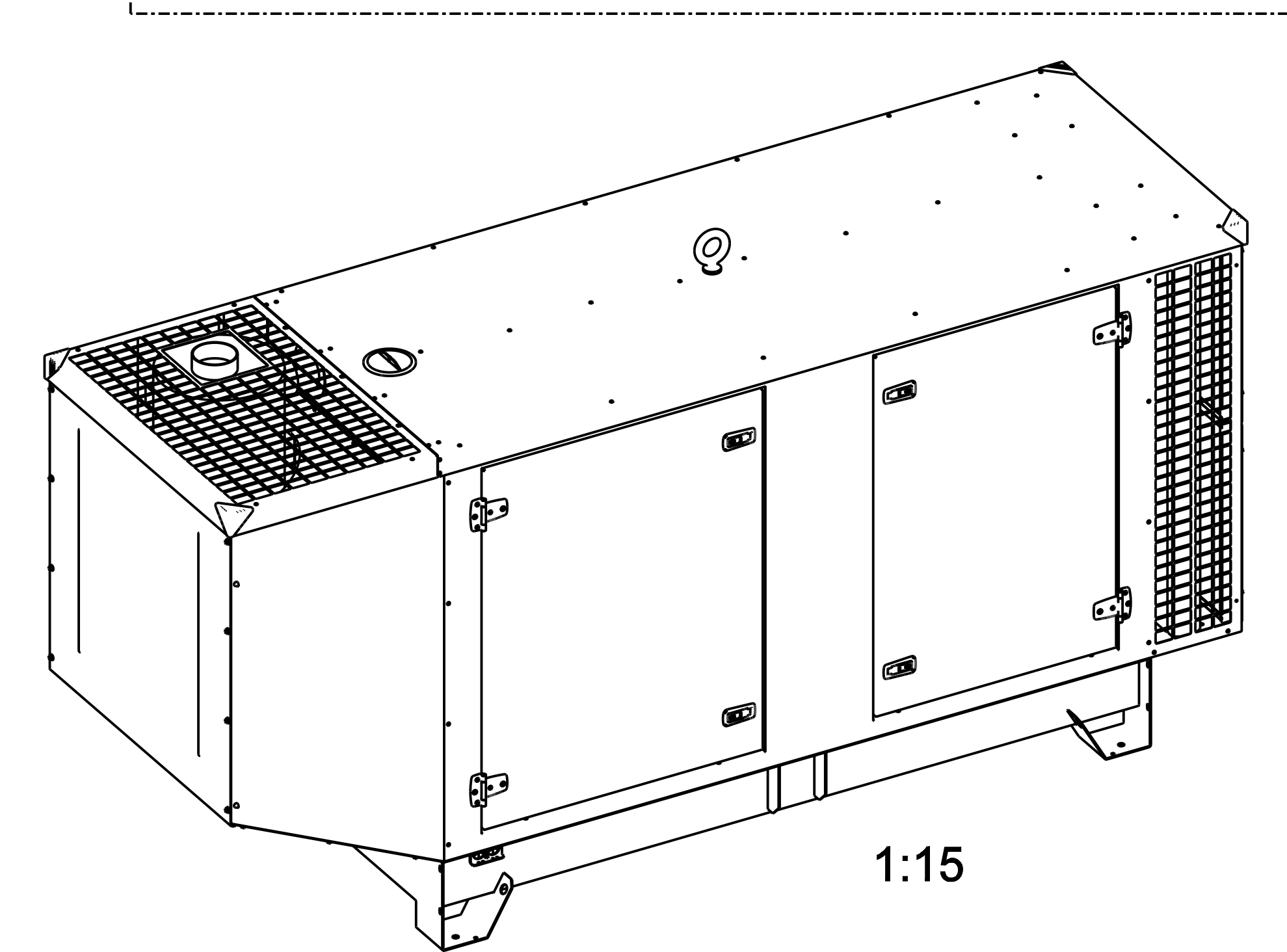
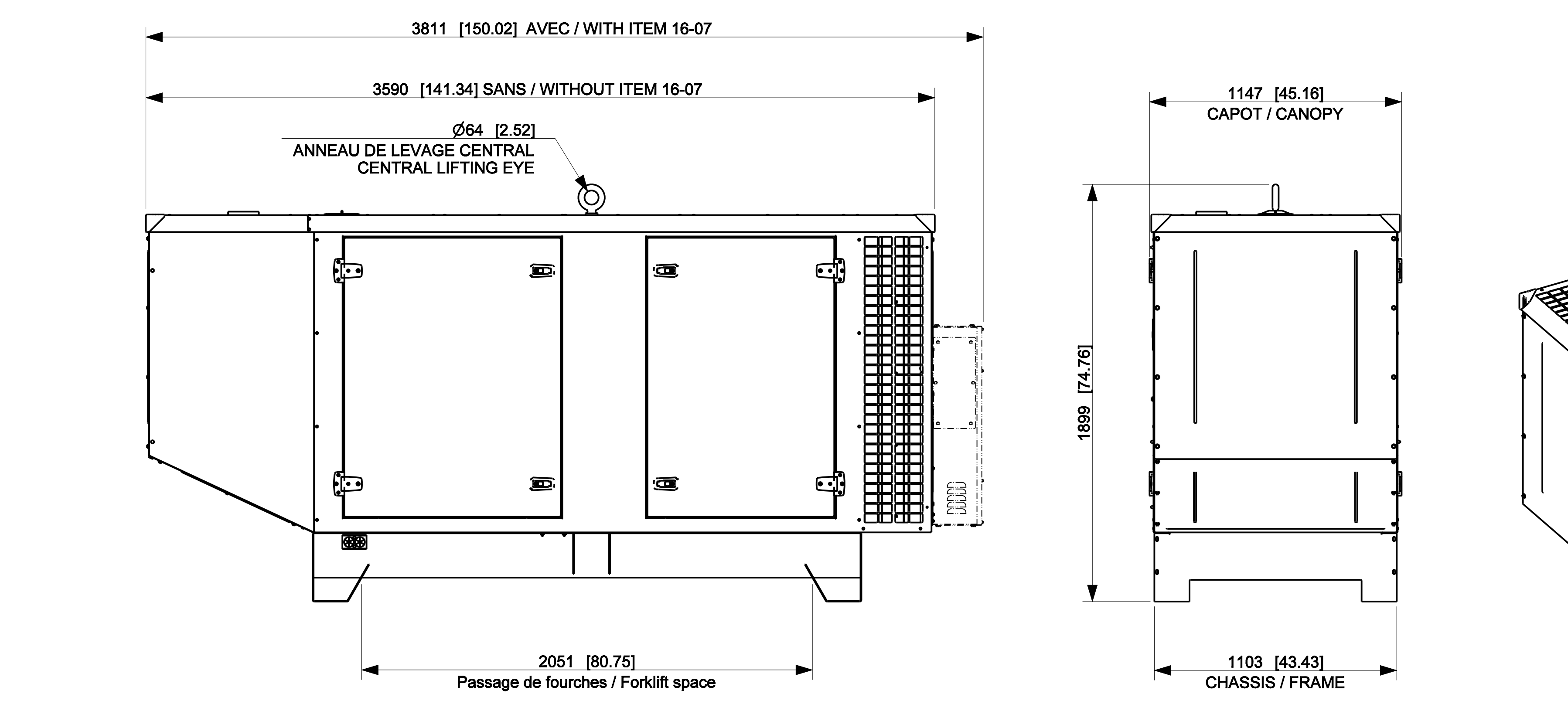


**DIMENSIONS DE TRANSPORT
OVERALL DIMENSIONS FOR TRANSPORT**
ATTENTION !! LA MANUTENTION DU GROUPE DOIT ETRE FAITE SANS LE PLEIN DE FUEL
WARNING !! HANDLING OF GENSET MUST BE MADE WITHOUT FUEL



ITEM	DESCRIPTION	COMMENT.
05-02	ASPIRATION FUEL / ASPIRATION FUEL	Pour / For flexible Ø10 in.
05-03	RETOUR FUEL / FUEL OUTLET	Pour / For flexible Ø08 in.
05-06	REMPLISSAGE AUTO FUEL / FUEL TANK AUTO FILLING	Entrée pompe / Inlet pump Rp 3/4 (F BSPP) Retour réservoir / Outlet tank Rp 3/4 (F BSPP)
05-06	REMPLISSAGE AUTO FUEL / FUEL TANK AUTO FILLING	ENTREE DANS CHASSIS / INLET IN FRAME Ø45 [1.77] RETOUR DANS CHASSIS / OUTLET IN FRAME Ø45 [1.77]
05-07	CONNECTION FUEL RESERVOIR SEPARÉ SEPARATE TANK CONNECTION	
09-02	SORTIE ECHAPPEMENT / EXHAUST OUTLET	Ø140 [5.51] ext. / o.d. Fournie avec joint, contre-bride à souder et visserie Delivery with gasket, counter-flange and hardware
16-07	BORNIER DE RACCORDEMENT DEPORTE REMOTE CONNECTION TERMINAL BOX	
16-08	SORTIE CABLES PUISSANCE / POWER CABLES OUTLET	

Ce plan vous est remis à titre indicatif et peut être révisé sans préavis.
This drawing is for informational purposes only and maybe changed without notice.

REV: 3 DATE: 28/01/2025 ON COMPOSITE DWG, SEE PART NO. FOR REVISION LEVEL
 DRAWING REVISION: 3 RELEASE FOR PRODUCTION LLLG
 THIS ASSEMBLY OR PART NUMBER APPLIED BY LATEST REFERENCE CAD MODEL FOR UNSPECIFIED DIMENSIONS
 GROUP: 111
 CRITICAL #:
 MANUFACTURING CENTER: 111
 MODEL: 1110 - SHEET: 002 - 2 OF 2
 DRAWN: LLLG DATE: 28/01/2025 DIMENSION PRINT, M149
 APPROVED: 28/01/2025 28/01/2025 CANOPY
 DWG NO.: 30001471301
 THIS DRAWING IS DESIGN AND DETAIL IS BOMO INTELLECTUAL PROPERTY AND MUST NOT BE USED OUTSIDE OF CONNECTION WITH BOMO INTELLECTUAL WORK. ALL RIGHTS OF DESIGN OR INVENTION ARE RESERVED.