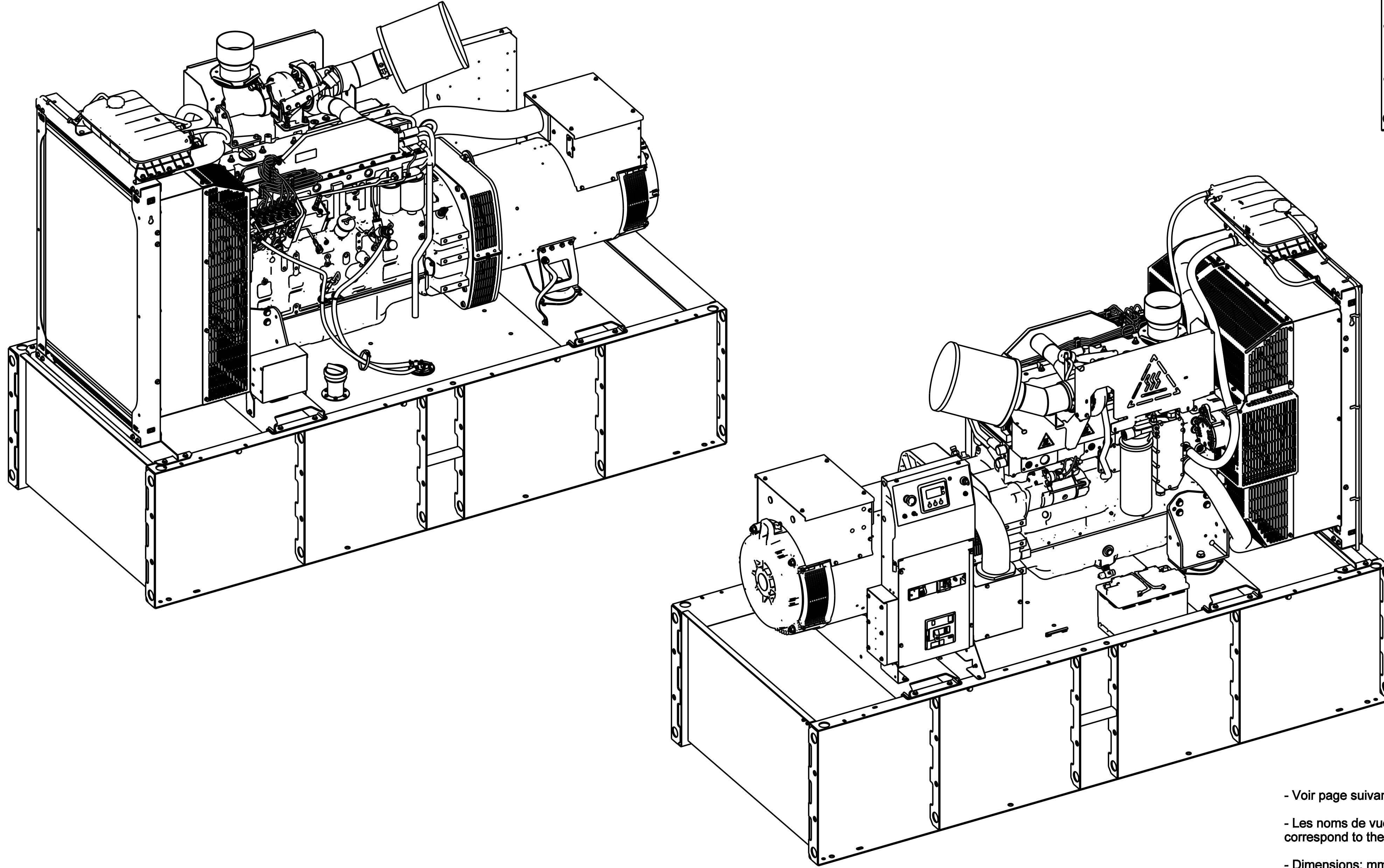
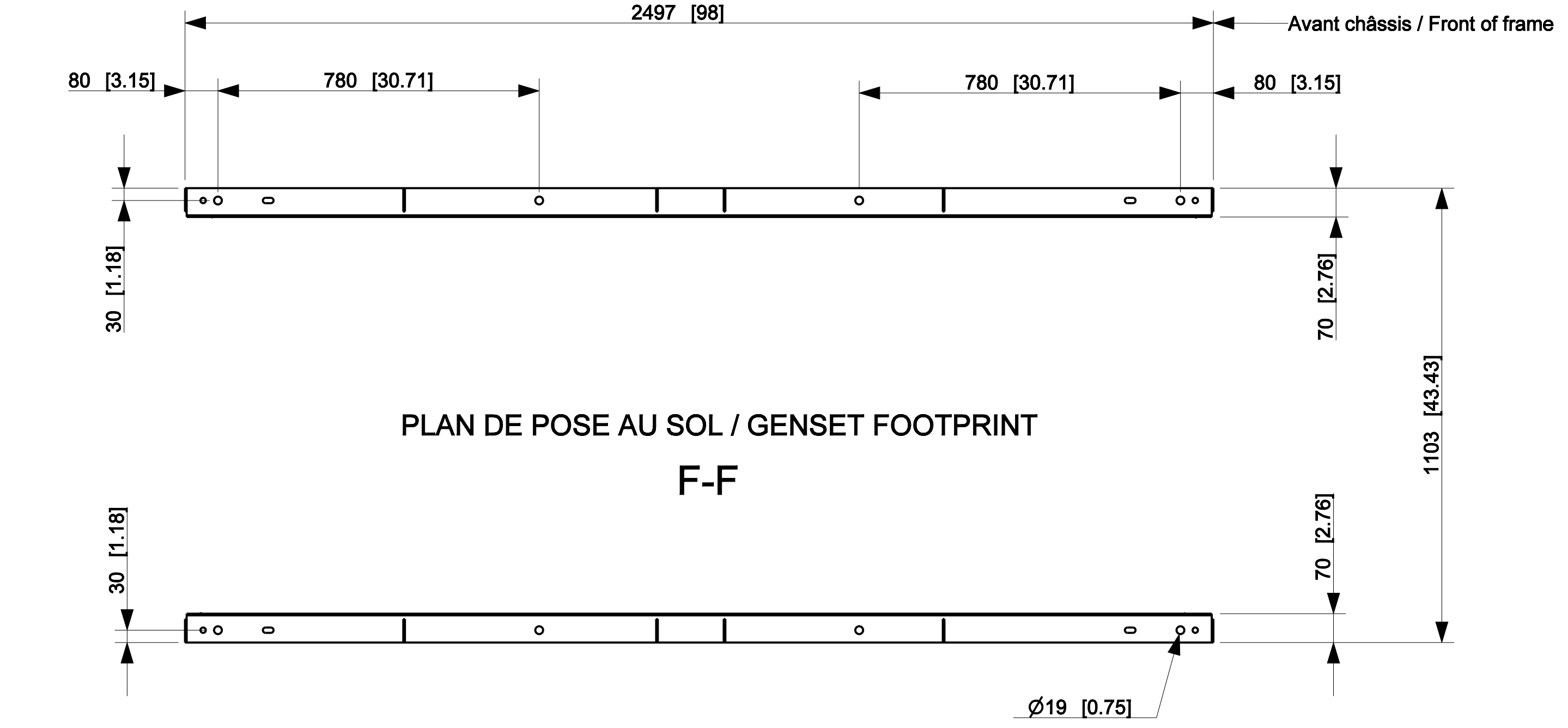
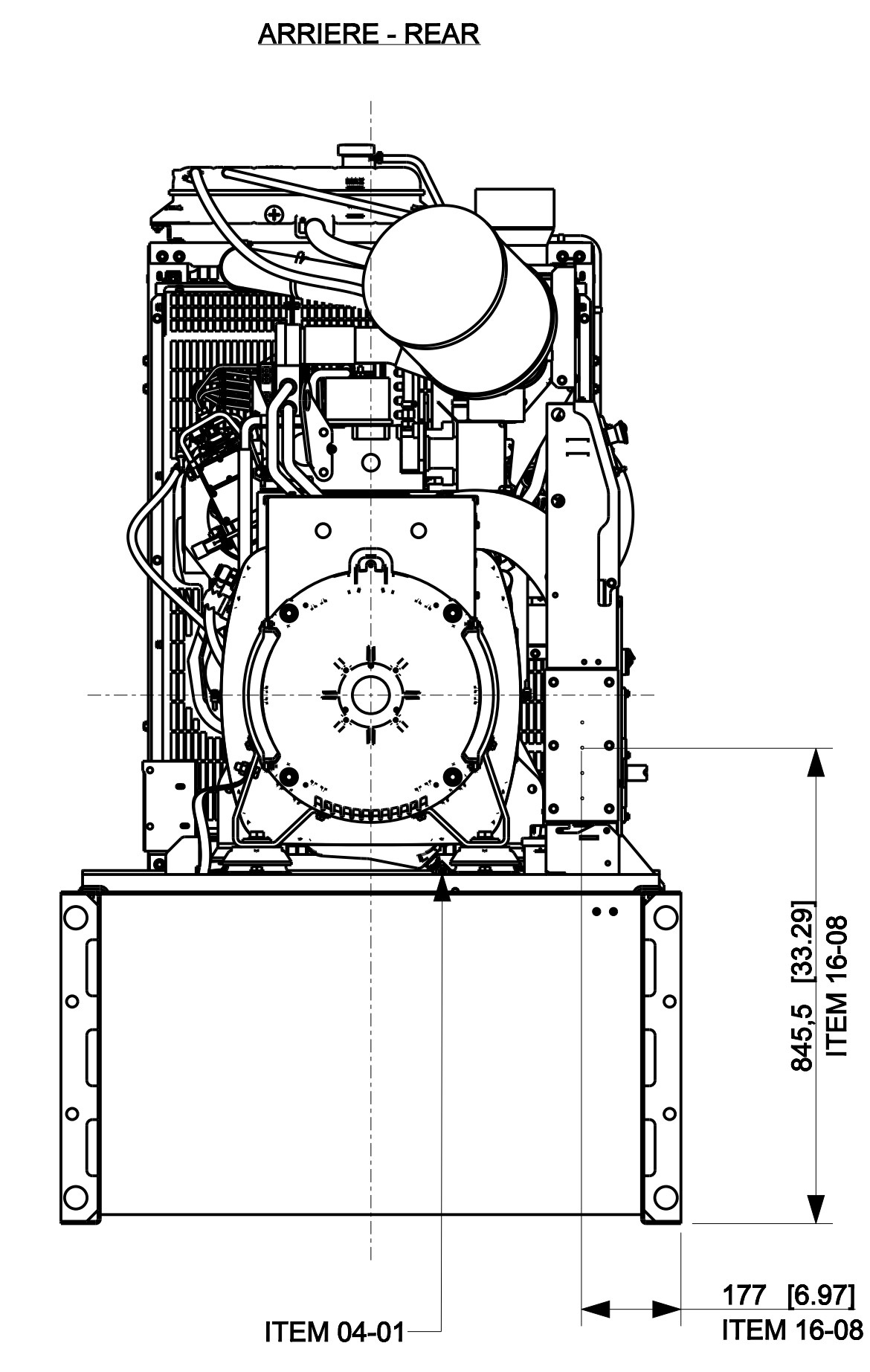
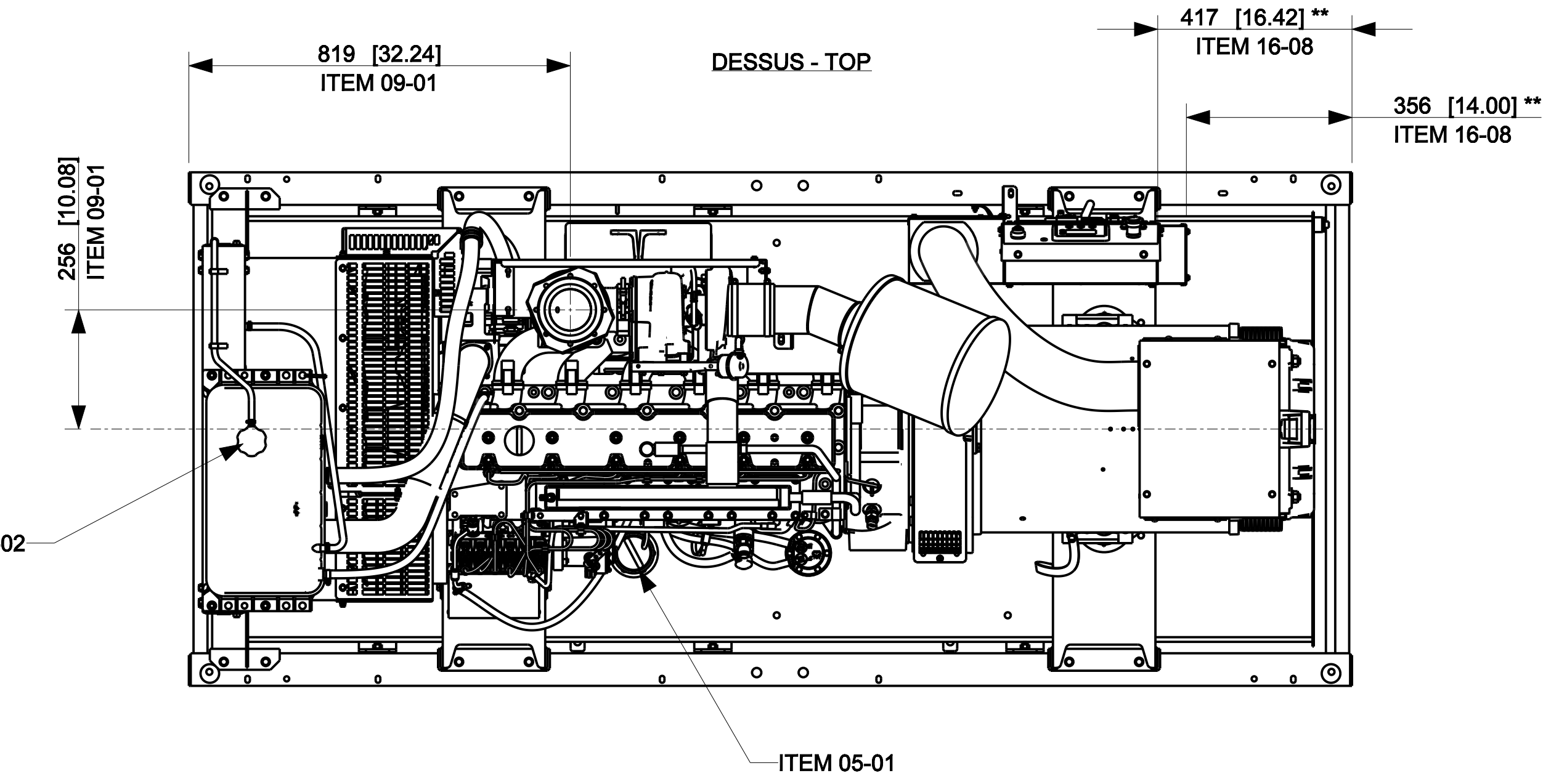
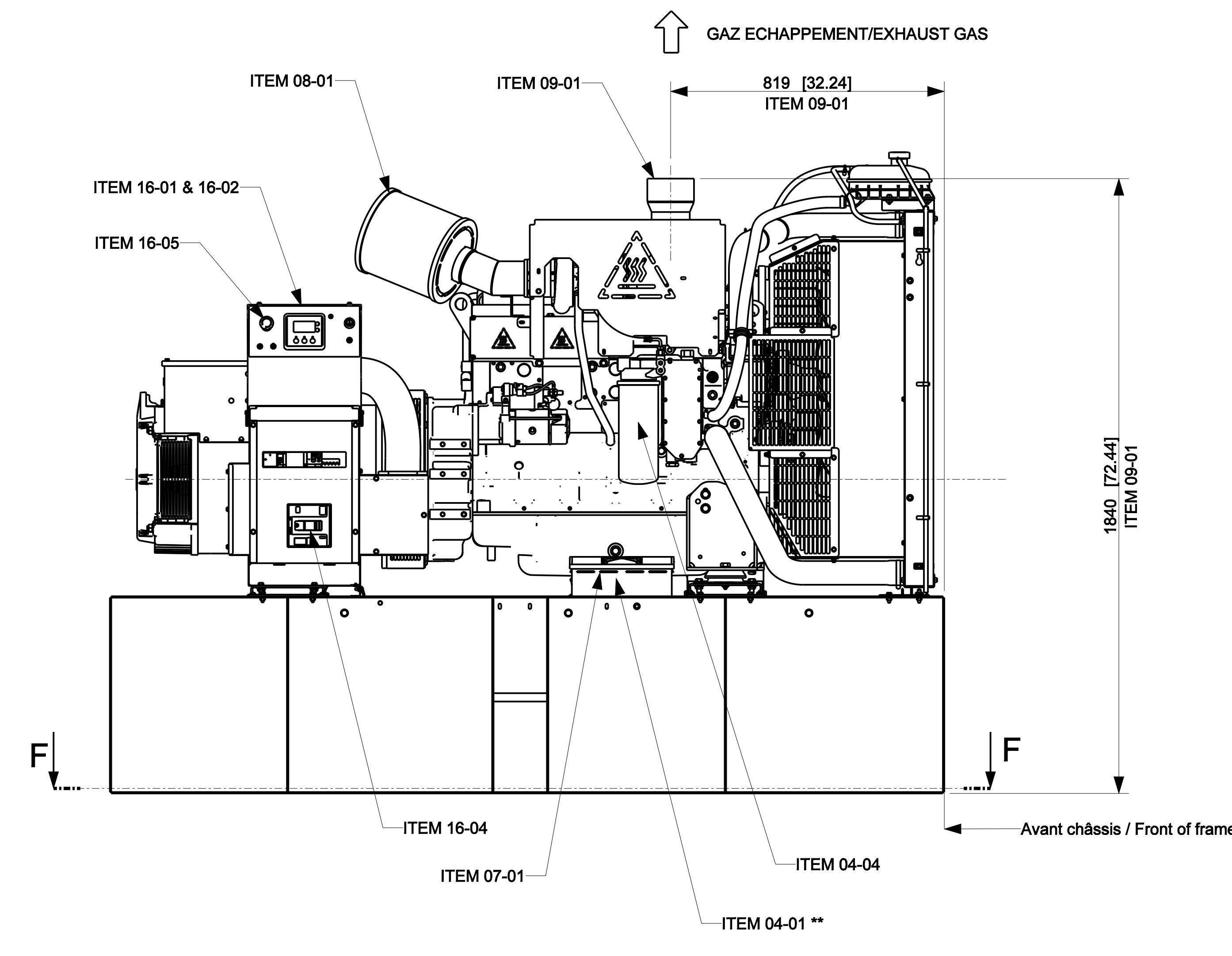
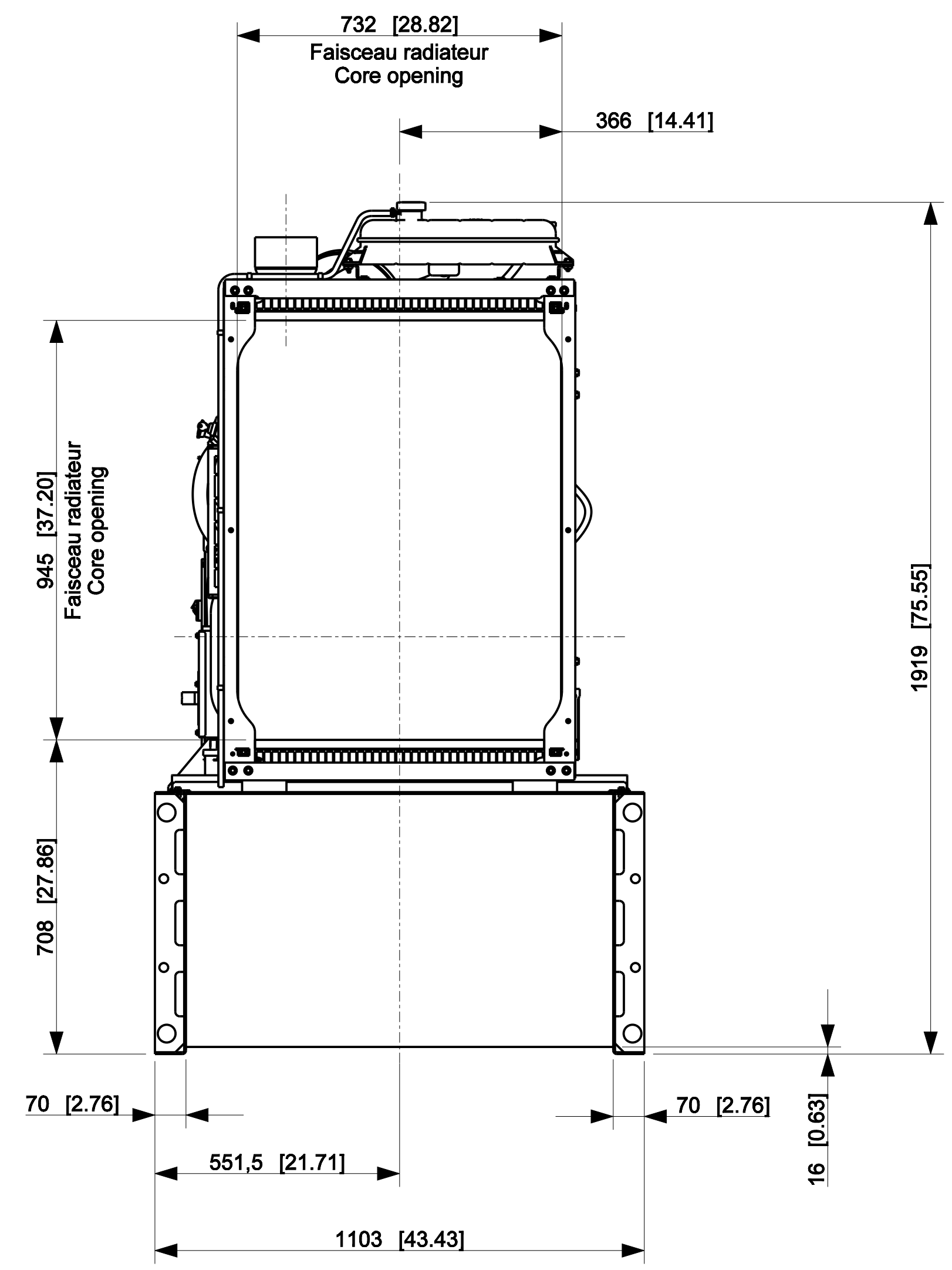
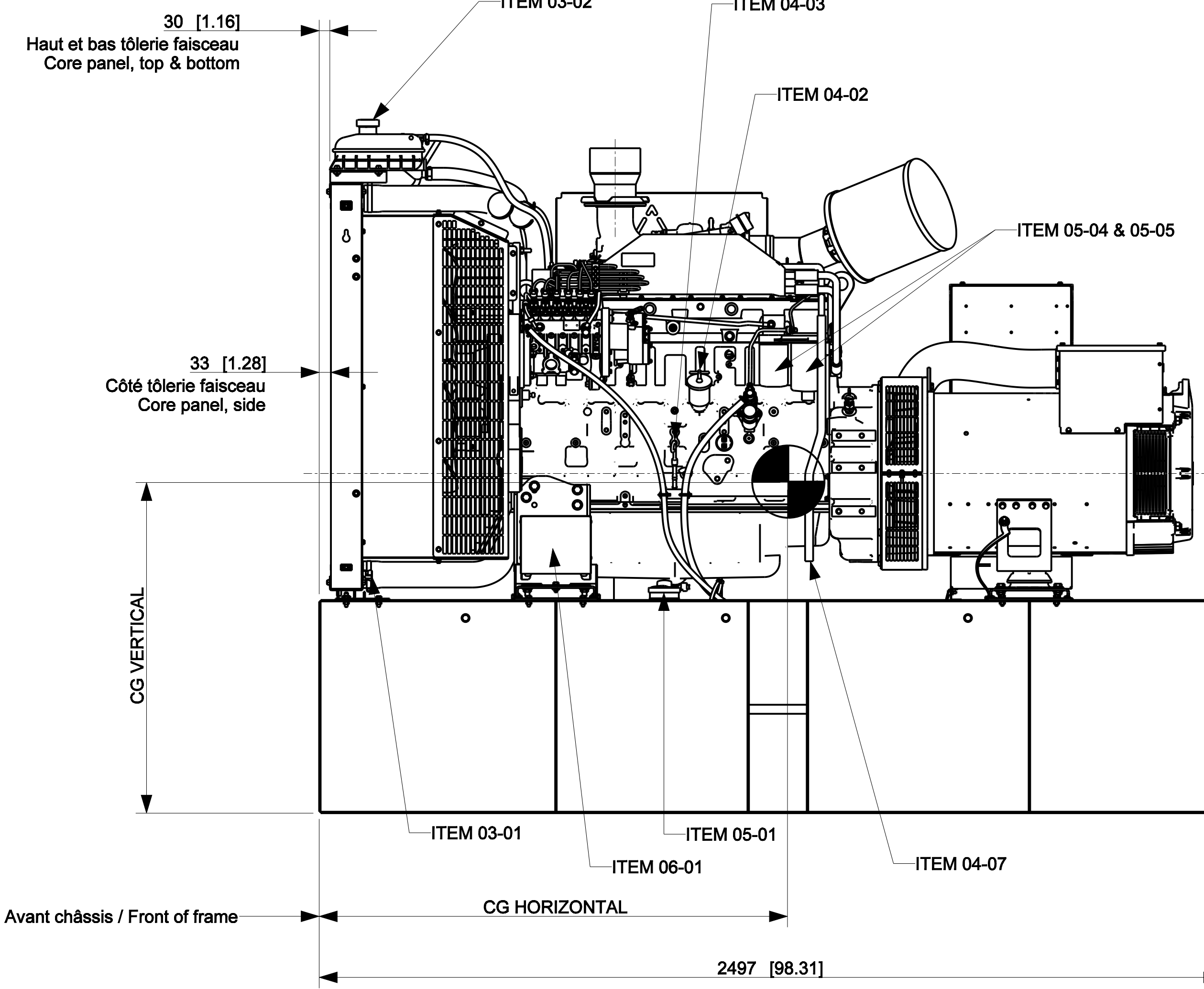


GAUCHE - LEFT

AVANT / FRONT

DROITE - RIGHT



ITEM	DESCRIPTION	COMMENT.
03-01	VIDANGE EAU / COOLANT DRAIN	
03-02	REPLISSAGE EAU / COOLANT FILLING	
04-01	VIDANGE HUILE / OIL DRAIN	** Derrière / Behind ITEM 07-01
04-02	REPLISSAGE HUILE / OIL FILLING	
04-03	JAUGE NIVEAU HUILE / OIL DIPSTICK	
04-04	FILTRE A HUILE / OIL FILTER	
04-07	RENIFLARD D'HUILE / OIL BREATHER	Rejet à l'air libre / No filter Ø16 I.D
05-01	REPLISSAGE FUEL / FUEL FILLING	
05-04	FILTRE FUEL / FUEL FILTER	
05-05	PREFILTRE FUEL / PREFILTER FUEL	
07-01	SIMPLE DEMARRAGE / SINGLE STARTING	
08-01	FILTRE A AIR / AIR FILTER	
09-01	SORTIE ECHAPPEMENT / EXHAUST OUTLET	Ø139.7 [5.50] ext. / o.d
16-01	PUPITRE COMMANDE / CONTROL PANEL	Modèle et configuration suivant commande, autre modèle voir page 2/2 Panel & materials in accordance with order, other panel see sheet 2/2
16-02	COFFRET DE PUISSANCE / POWER BOX	
16-04	DISJONCTEUR / CIRCUIT BREAKER	
16-05	ARRET D'URGENCE / EMERGENCY STOP	
16-08	SORTIE CABLES PUISSANCE / POWER CABLES OUTLET	** suivant disjoncteur / in accordance with circuit breaker

Moteur Engine	Alternateur Generator	Masse (kg) / Weight (lbs) +/- 5%	Centre de gravité - OdM Center of gravity - Wet
		A vide / Dry OdM / Wet	Gx (mm/inch) Gz (mm/inch)
KD83L06T-AW56	KH01680T KH01681T	1990 / 4387.2 2910 / 6415.4	1280 / 50 680 / 27
		2000 / 4409.2 2920 / 6437.5	1280 / 50 680 / 27

- Voir page suivante pour informations complémentaires / See following sheet for additional informations  
 - Les noms de vues correspondent aux différentes faces du groupe électrogène / The names of views correspond to the different sides of the generating set  
 - Dimensions: mm [Inch]

ATTENTION !! LA MANUTENTION DU GROUPE DOIT ETRE FAITE SANS LE PLEIN DE FUEL  
 WARNING !! HANDLING OF GENSET MUST BE MADE WITHOUT FUEL  
 Ce plan vous est remis à titre indicatif et peut être révisé sans préavis.  
 This drawing is for informational purposes only and maybe changed without notice.

REV. DATE: 01/2025 ON COMPOSITE DWG, SEE PART NO. FOR REVISION LEVELS. THIS ASSEMBLY OR PART MUST COMPLY WITH THE ORIGINAL DRAWING REVISION. DO NOT SCALE. THIS ASSEMBLY OR PART MUST COMPLY WITH THE ORIGINAL DRAWING REVISION. REFERENCE CAD MODEL FOR UNSPECIFIED DIMENSIONS.

30/01/2025 RELEASE FOR PRODUCTION LLL

GROUP: 01 CRITICAL # 1

SCALE: 1:10 SHEET: 002 OF 03

DRAWN: LLL DATE: DIMENSION PRINT, KD200, DW24H

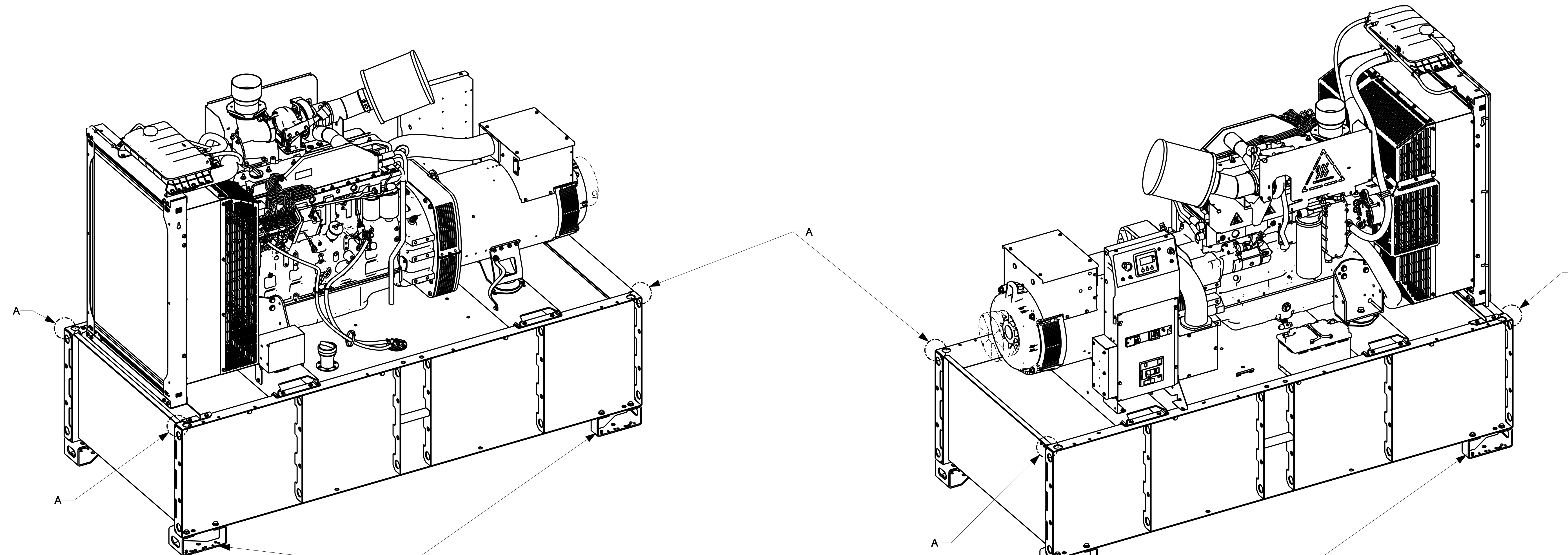
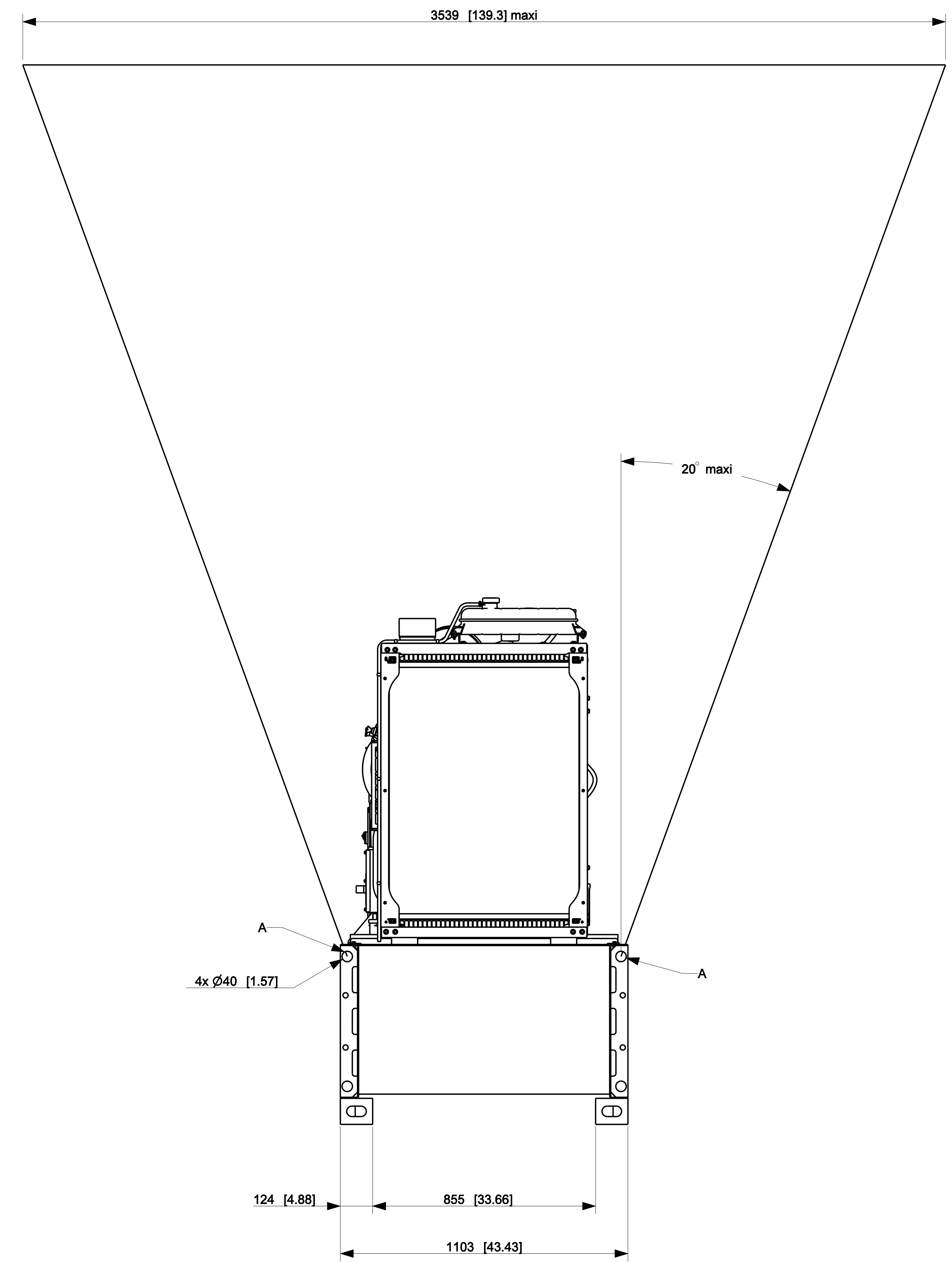
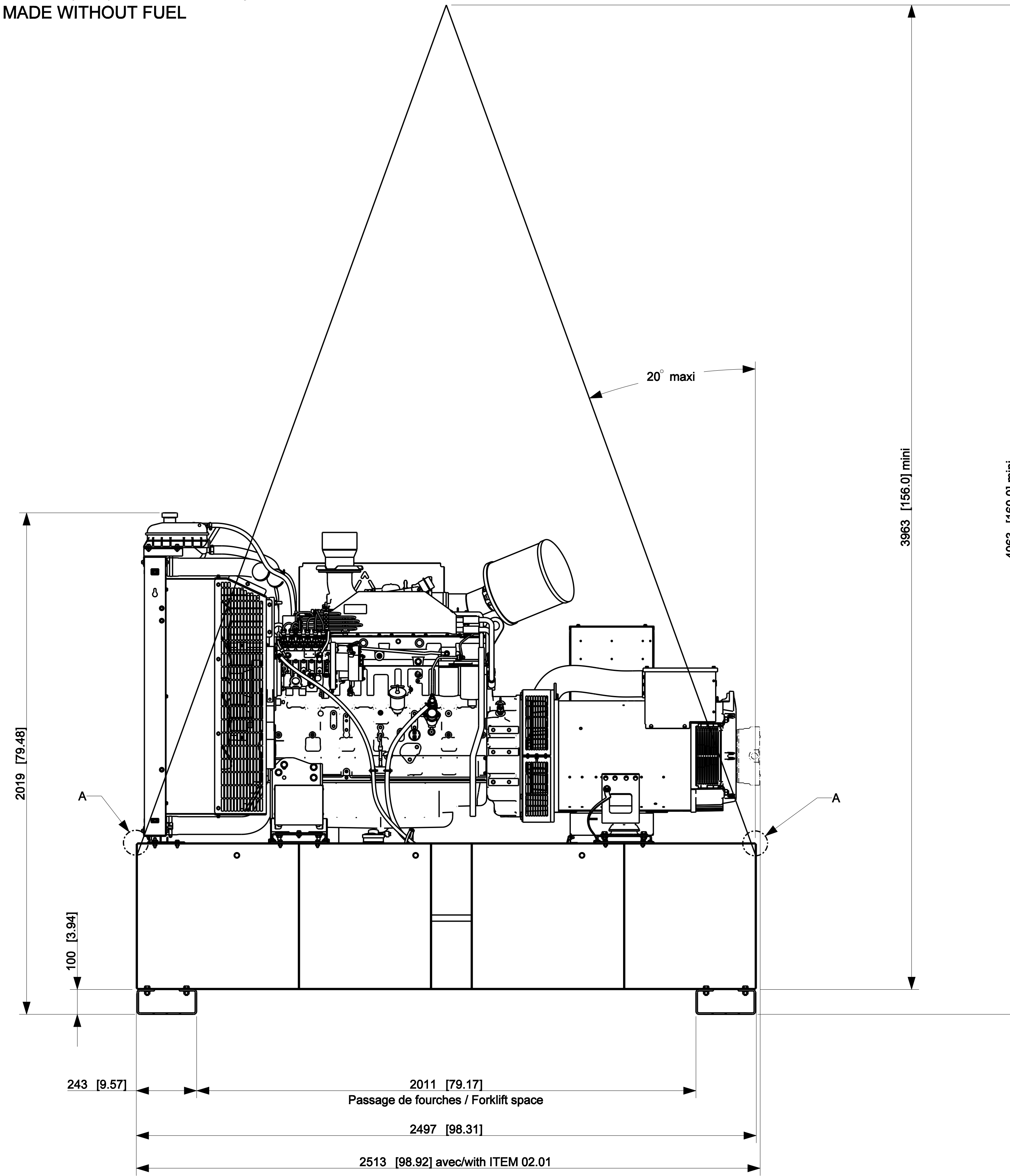
APPROVED: 02/01/2025 30/01/2025 DWG NO. 30001471701

THIS DRAWING IS DESIGN AND DETAIL IS BOND INDUSTRIES PROPERTY AND MUST NOT BE USED EXCEPT IN CONNECTION WITH BOND INDUSTRIES WORK. ALL RIGHTS OF DESIGN OR PATENT ARE RESERVED.



DIMENSIONS DE TRANSPORT ET DE LEVAGE  
OVERALL DIMENSIONS FOR TRANSPORT AND LIFTING OPERATION

ATTENTION !! LA MANUTENTION DU GROUPE DOIT ETRE FAITE SANS LE PLEIN DE FUEL  
WARNING !! HANDLING OF GENSET MUST BE MADE WITHOUT FUEL



A :  
Ancrages pour levage  
Locations for lifting

18-10  
ELEMENTS DE MANUTENTION POUR TRANSPORT UNIQUEMENT. A DEMONTER A L'INSTALLATION DU GROUPE ELECTROGENE  
HANDLING DEVICES ONLY FOR TRANSPORTATION. MUST BE UNFITTING IN ORDER TO INSTALL THE GENERATING SET.

Ce plan vous est remis à titre indicatif et peut être révisé sans préavis.  
This drawing is for informational purposes only and maybe changed whitout notice.

REV	DATE	ON COMPOSITE DWG, SEE PART NO. FOR REVISION LEVEL (2) REVISION PART NUMBER APPLIED BY LATEST DRAWING REVISION	BY	THIS ASSEMBLY OR PART MUST COMPLY WITH THE ORIGINAL DRAWING OR REFERENCE CAD MODEL FOR UNSPECIFIED DIMENSIONS	GROUP	CRITICAL #	DATE	SCALE	SHEET NO.	SHEET TOTAL	
-	08SEP2025	RELEASE FOR PRODUCTION	LLG								
DRAWN			LLG	DATE	08SEP2025	DIMENSION PRINT, KD200, DV24H		DWG NO. 30001471701			