

- Voir page suivante pour informations complémentaires / See following sheet for additional informations

- Les noms de vues correspondent aux différentes faces du groupe électrogène / The names of views correspond to the different sides of the generating set

- Dimensions: mm [Inch]

ATTENTION !! LA MANUTENTION DU GROUPE DOIT ETRE FAITE SANS LE PLEIN DE FUEL
WARNING !! HANDLING OF GENSET MUST BE MADE WITHOUT FUEL

Ce plan vous est remis à titre indicatif et peut être révisé sans préavis.
This drawing is for informational purposes only and maybe changed without notice.

ITEM	DESCRIPTION	COMMENT.
05-09	VIDANGE FUEL / FUEL DRAIN	Non valable avec / Not valid with ITEM 05-07 (voir page / see sheet 2/2)
09-01	SORTIE ECHAPPEMENT / EXHAUST OUTLET	Ø140 [5.51] ext. / o.d.
16-05	ARRET D'URGENCE / EMERGENCY STOP	
16-08	SORTIE CABLES PUISSANCE / POWER CABLES OUTLET	

Moteur Engine	Alternateur Generator	Masse (kg) / Weight (lbs) +/- 5%		Centre de gravité - OdM Center of gravity - Wet	
		A vide / Dry	OdM / Wet	Gx (mm/inch)	Gz (mm/inch)
KD83L06T-AW56	KH01680T	2550 / 5621.8	3470 / 7650	1250 / 49	810 / 32
	KH01681T	2560 / 5643.8	3480 / 7672.1	1250 / 49	810 / 32
KD83L06T-AA56A	KH01681T	2570 / 5665.9	3490 / 7694.1	1240 / 49	810 / 32
	KH01221T	2660 / 5864.3	3570 / 7870.5	1260 / 50	810 / 32
KD83L06T-AA56B	KH01221T	2650 / 5842.2	3570 / 7870.5	1260 / 50	810 / 32
	KH01222T	2650 / 5842.2	3570 / 7870.5	1260 / 50	810 / 32

16 15 14 13 12 11 10 9 8 7 6 5 4 3 2 1

DATE: 05AUG2025
DRAWING REVISION: 1
RELEASE FOR PRODUCTION

BY: STN
GROUP: 01
MANUFACTURING ENGINEER: 01
11/20/2025 08:00:00
APPROVED: 05/12/2025 05AUG2025
DWG NO. 30001471401

THIS ASSEMBLY OR PART MUST COMPLY WITH PER-REG-001 REFERENCE CAD MODEL FOR UNSPECIFIED DIMENSIONS.

DO NOT SCALE.
CRITICAL # 1
MANUFACTURING ENGINEER: 01
11/20/2025 08:00:00
DWG NO. 30001471401

reihko

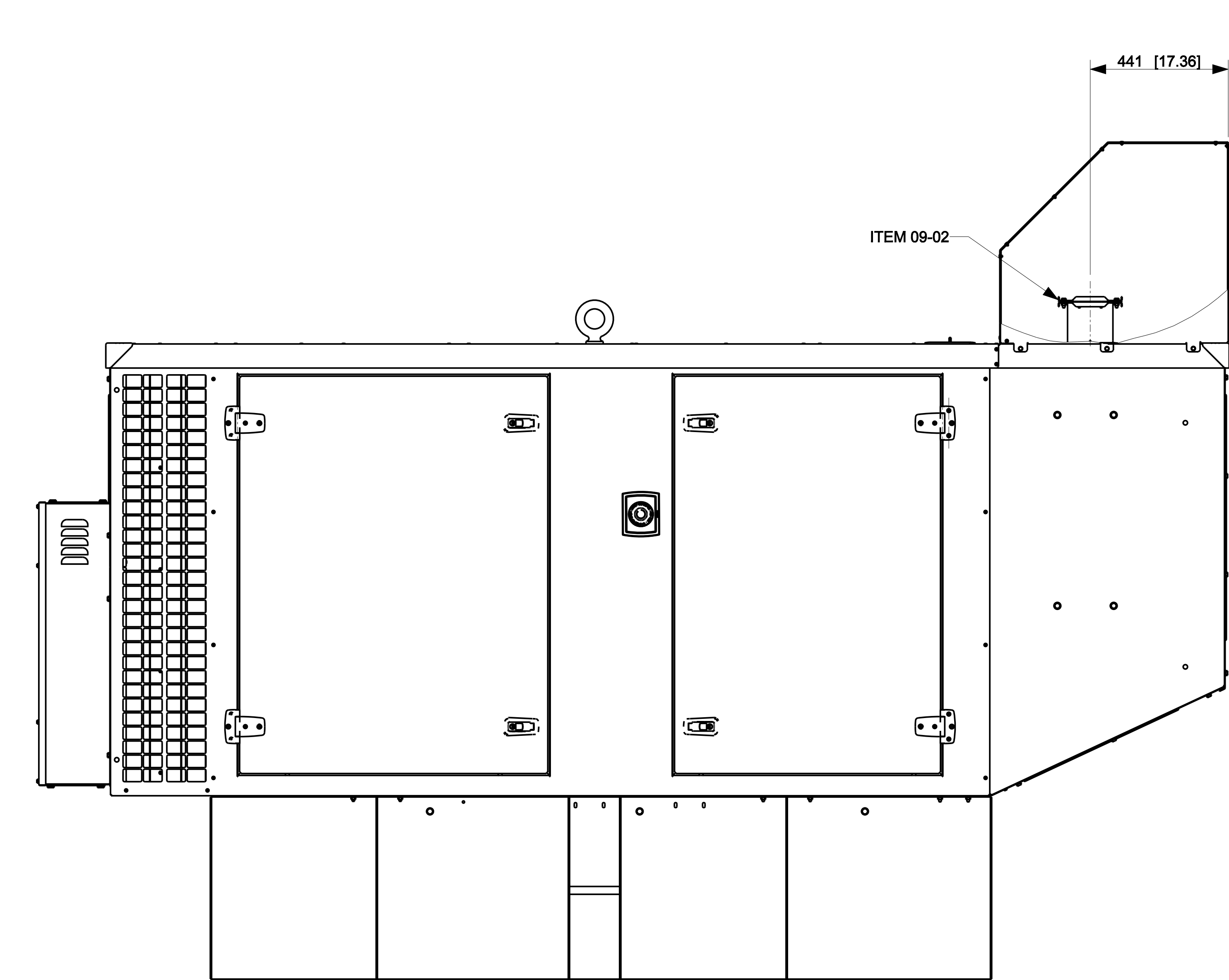
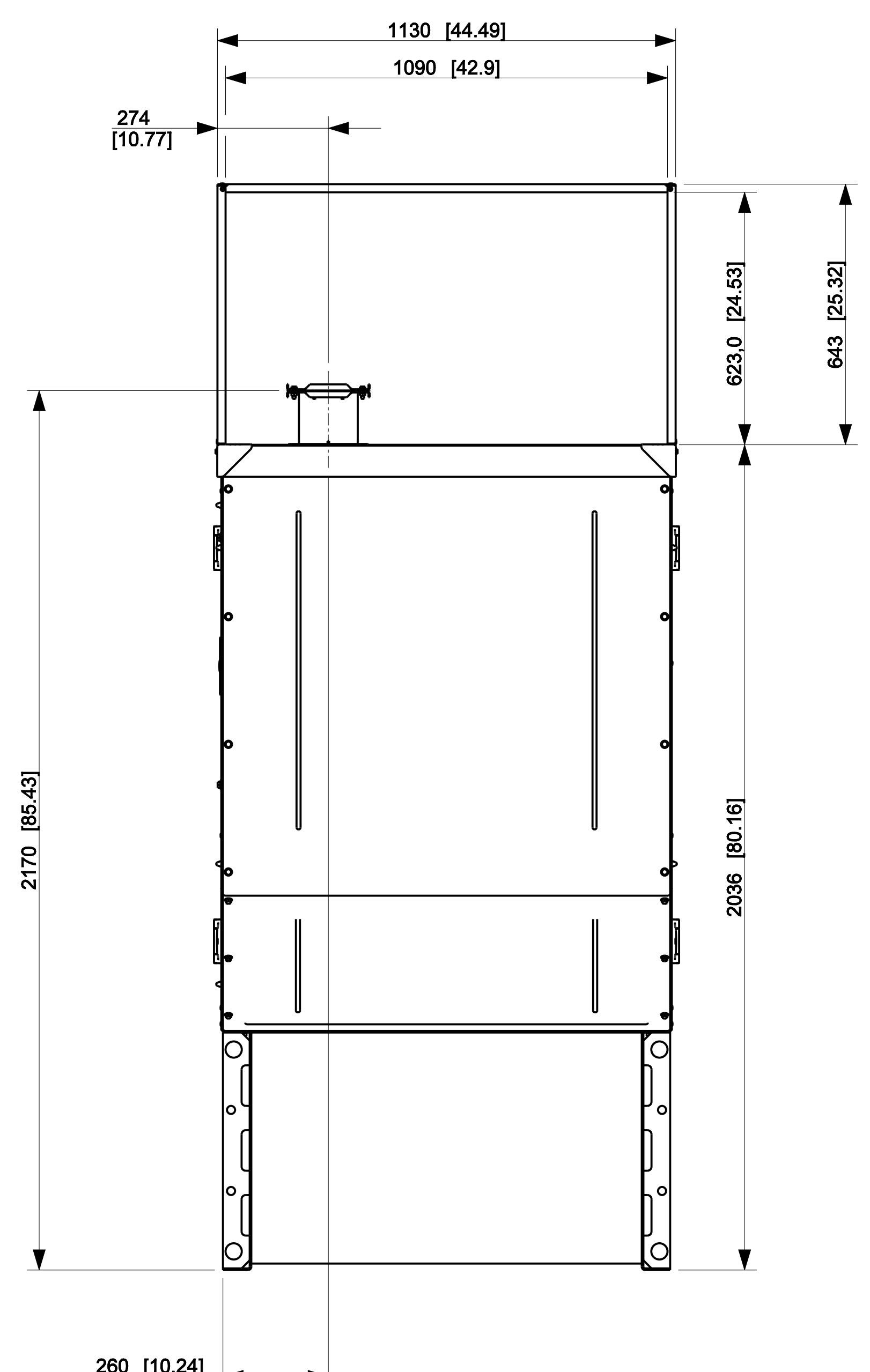
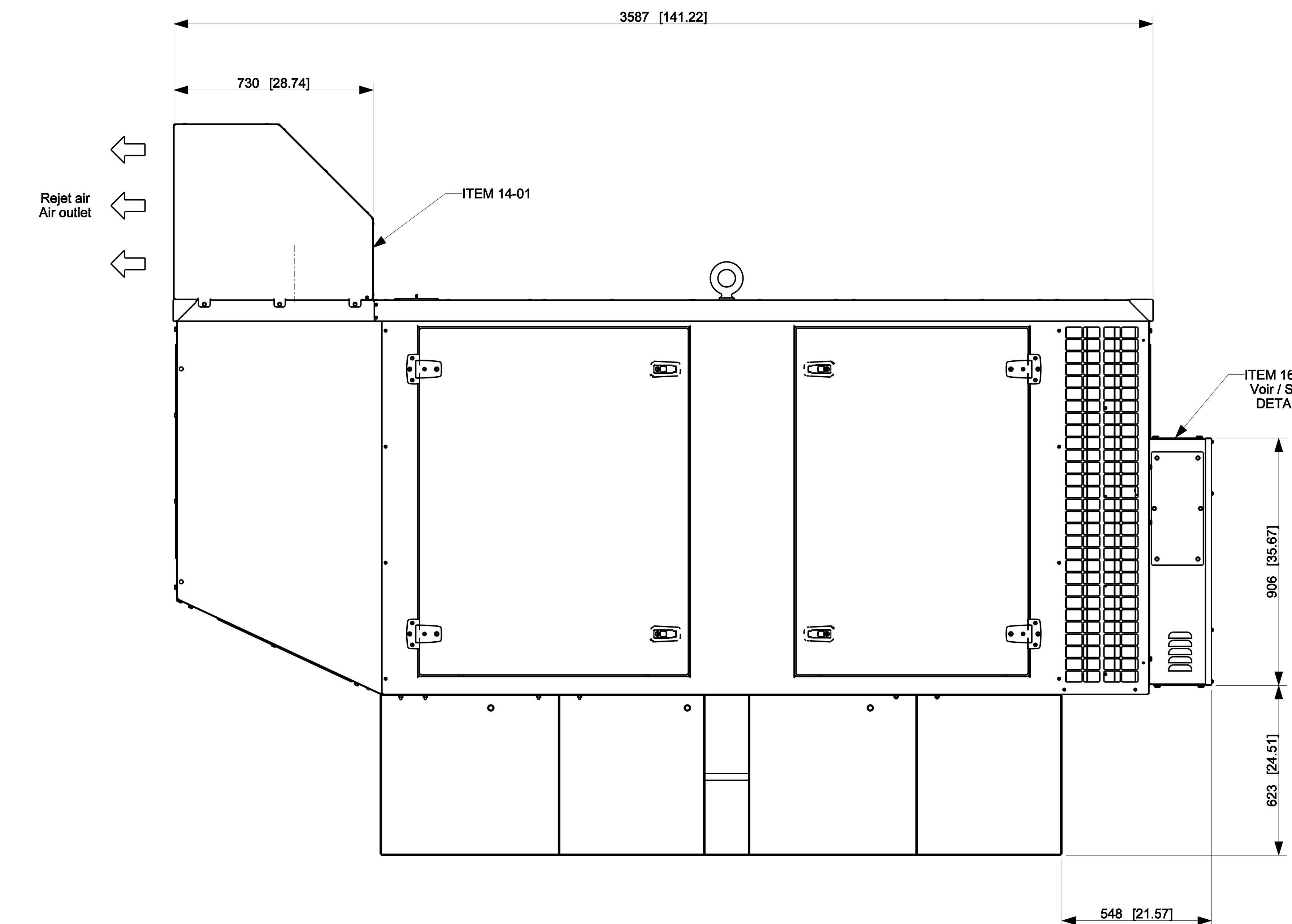
THIS DRAWING IS DESIGN AND DETAIL. IT IS BOND INDUSTRY PROPERTY AND MUST NOT BE USED OR REPRODUCED IN CONNECTION WITH BOND INDUSTRIES WORK. ALL RIGHTS OF DESIGN OR PATENT ARE RESERVED.

1:15

GAUCHE - LEFT

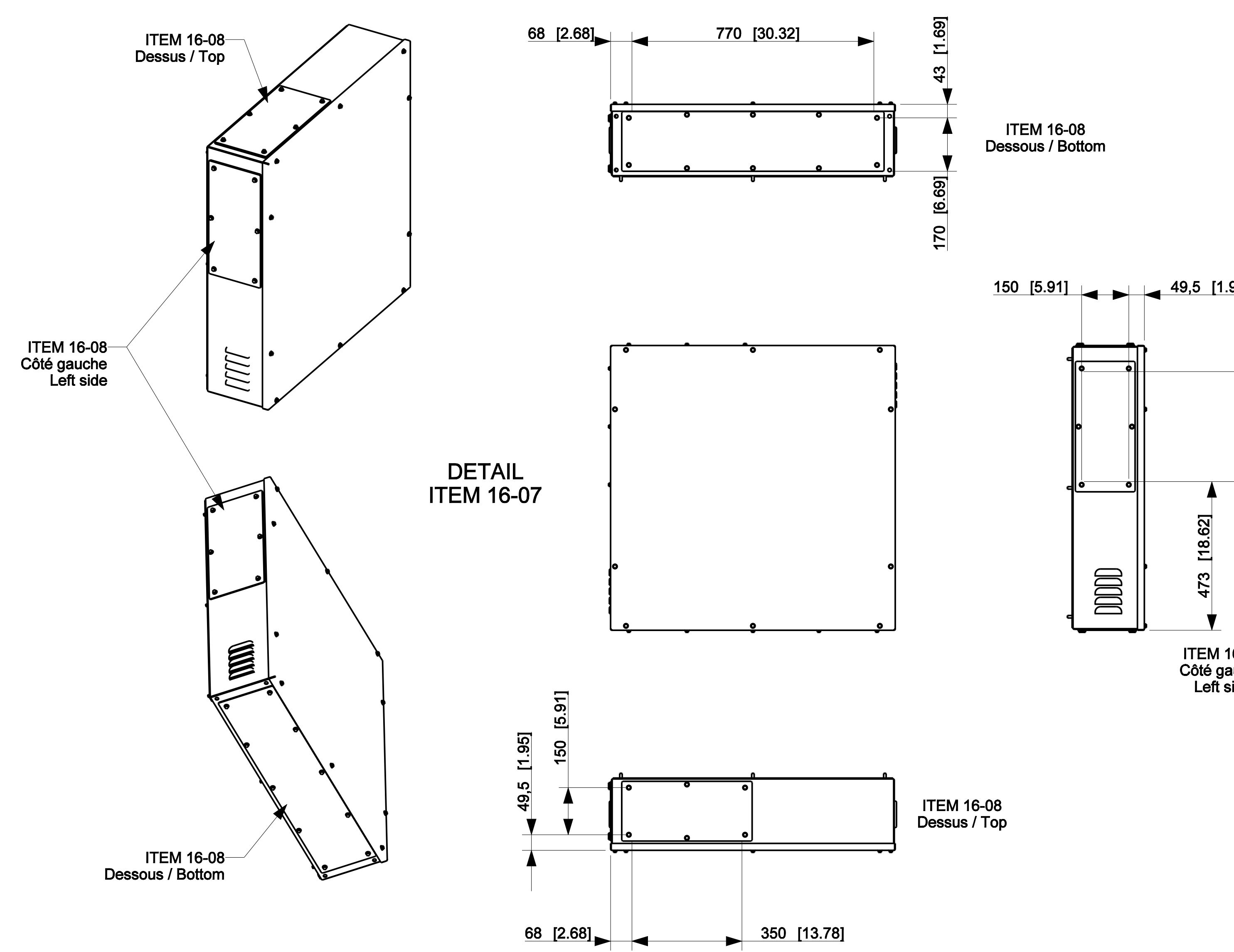
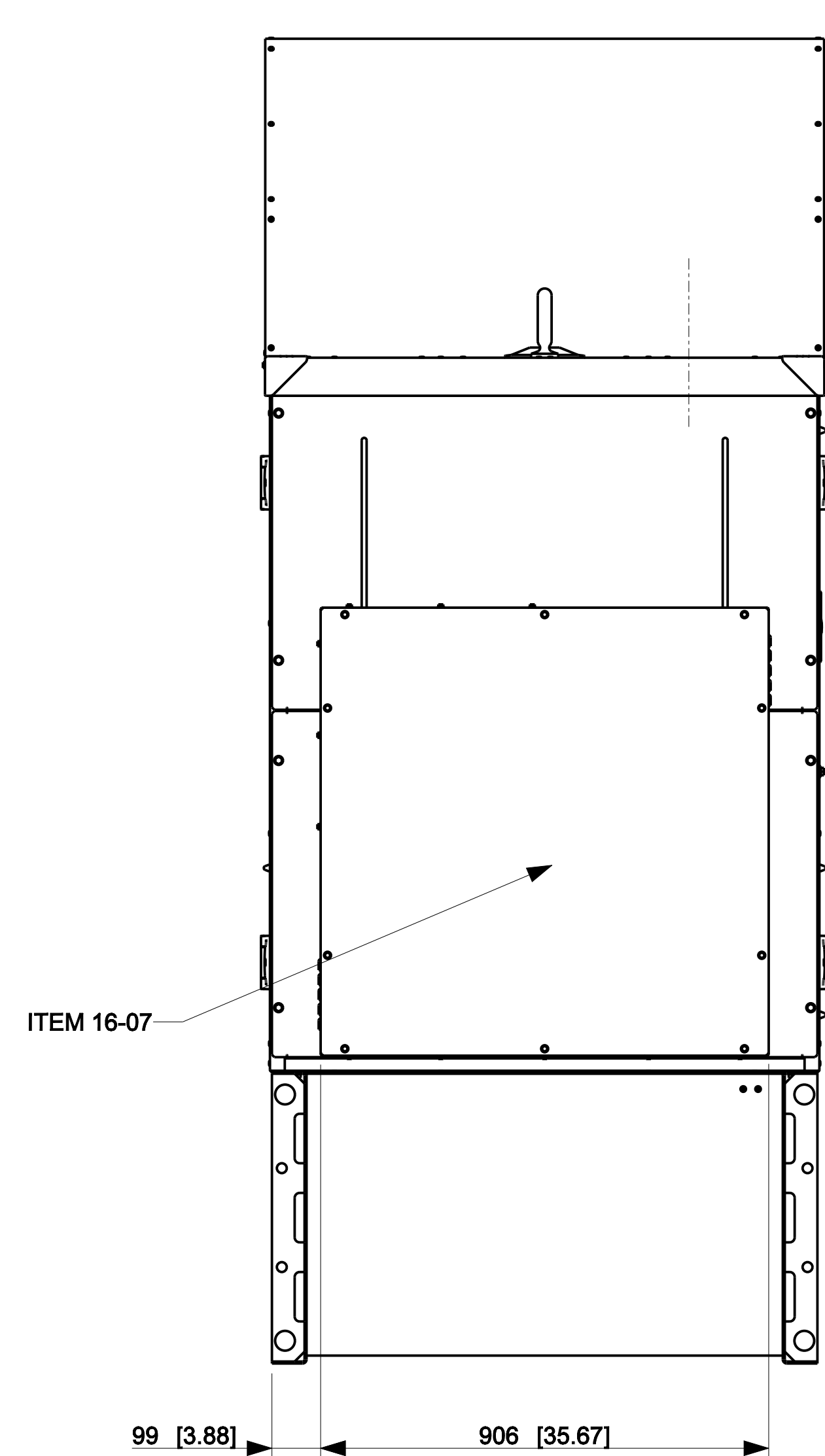
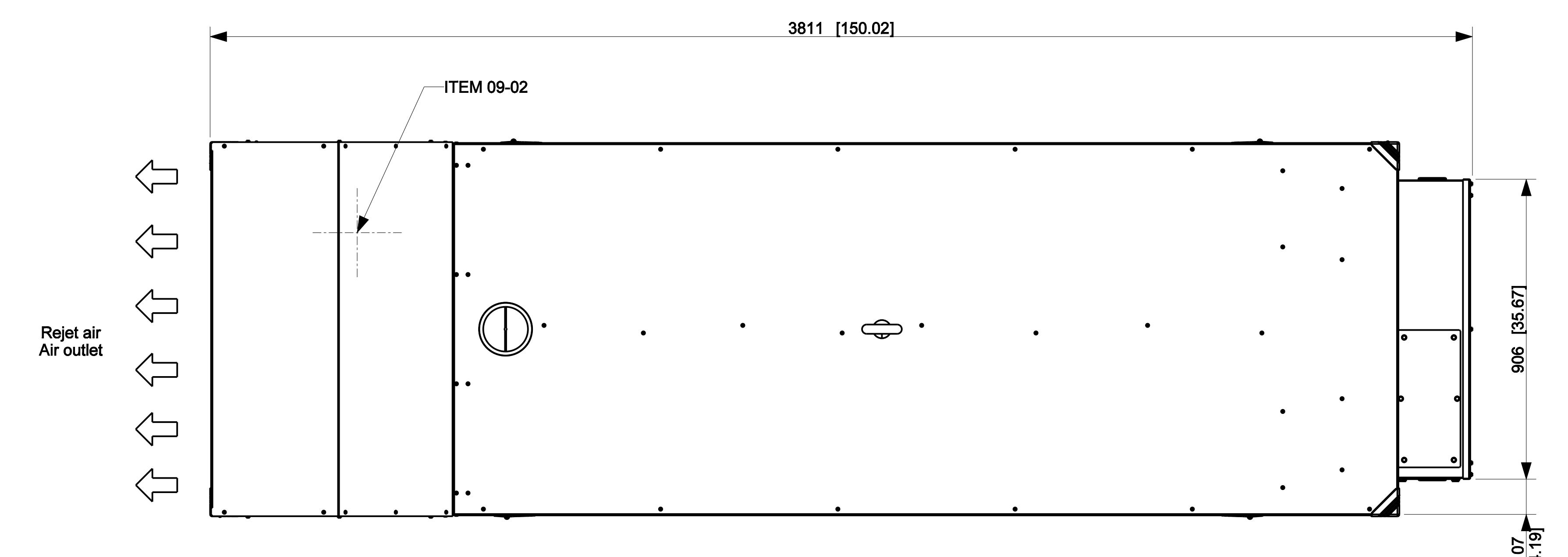
AVANT / FRONT

DROITE - RIGHT



DESSUS - TOP

ARRIERE - REAR



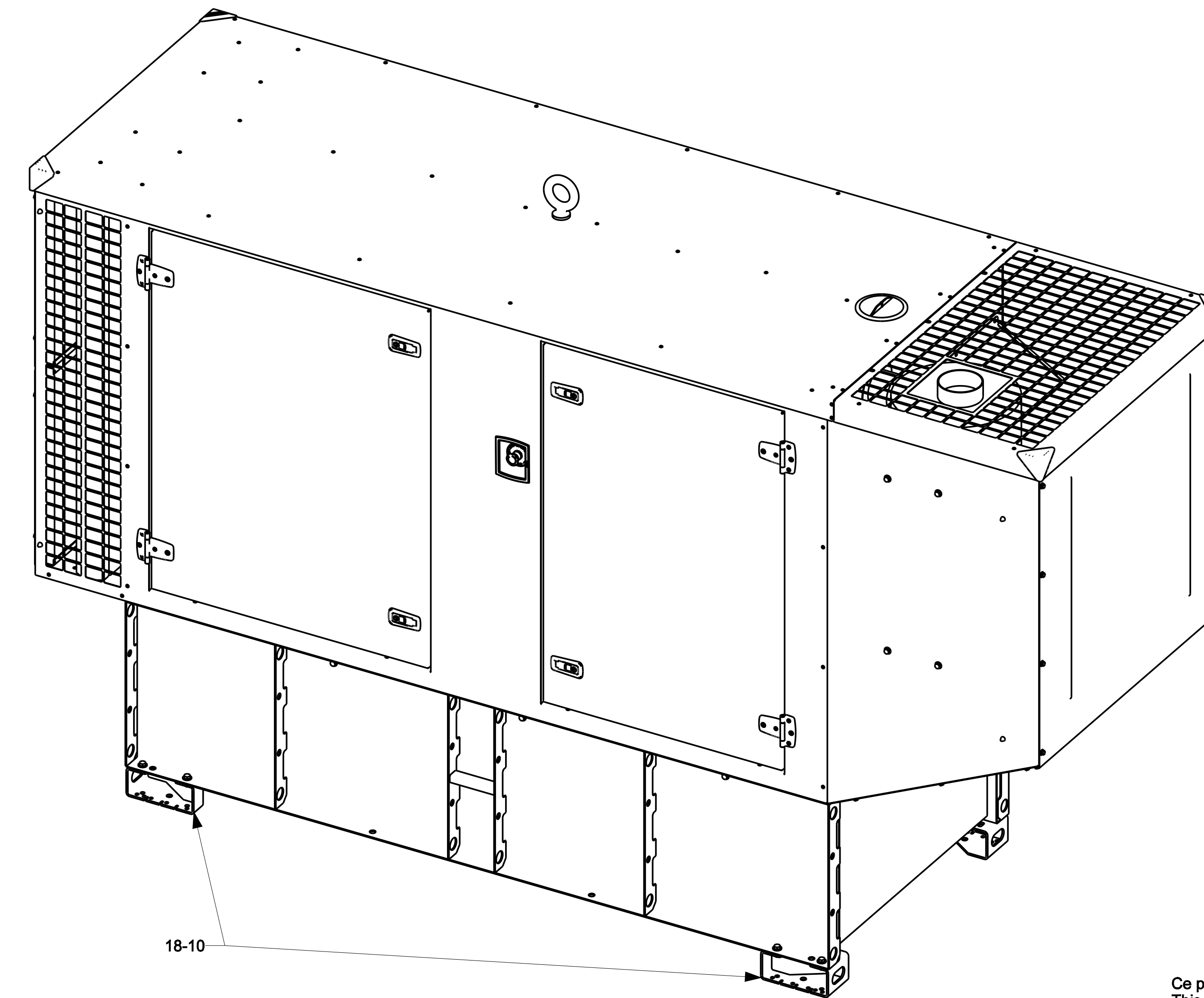
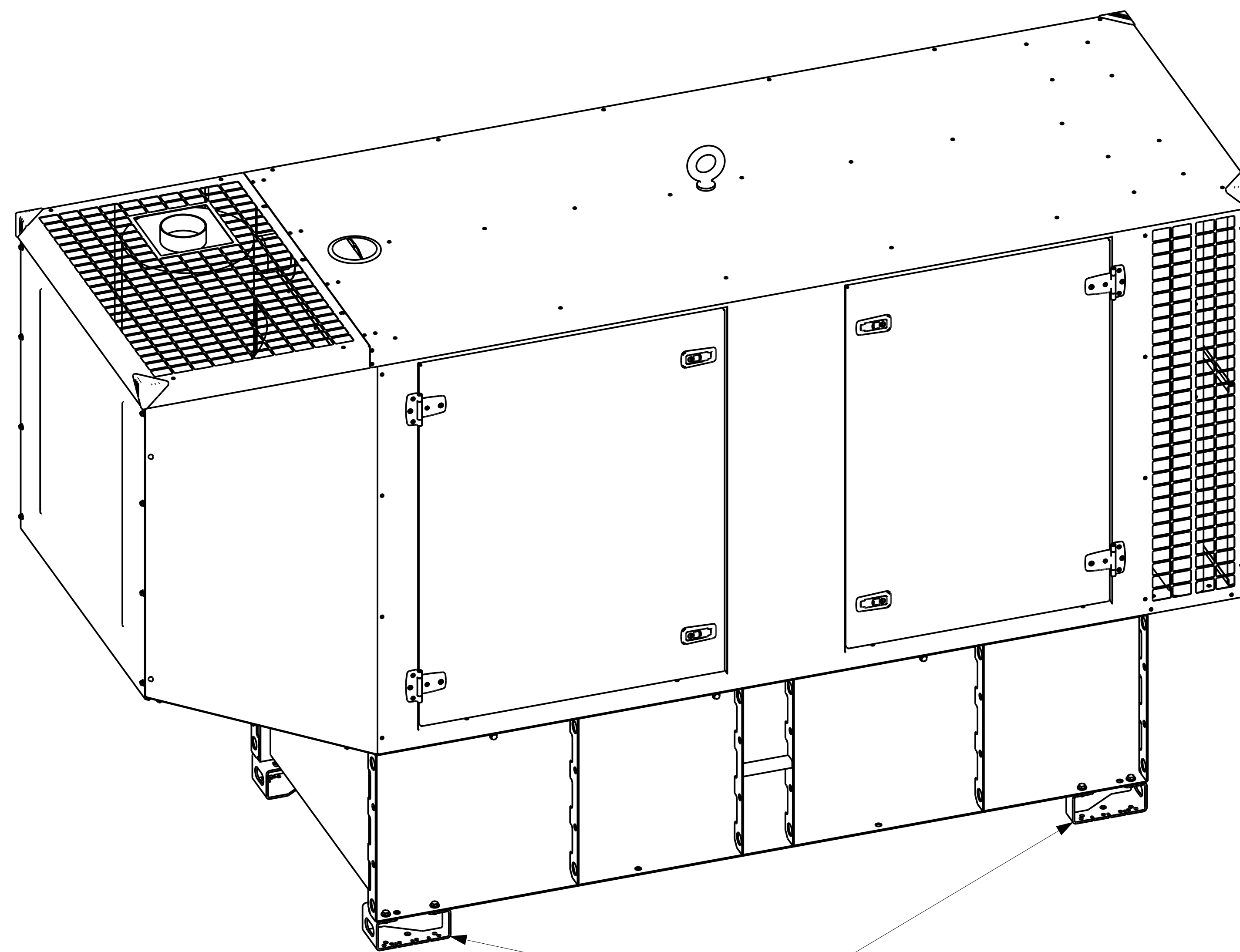
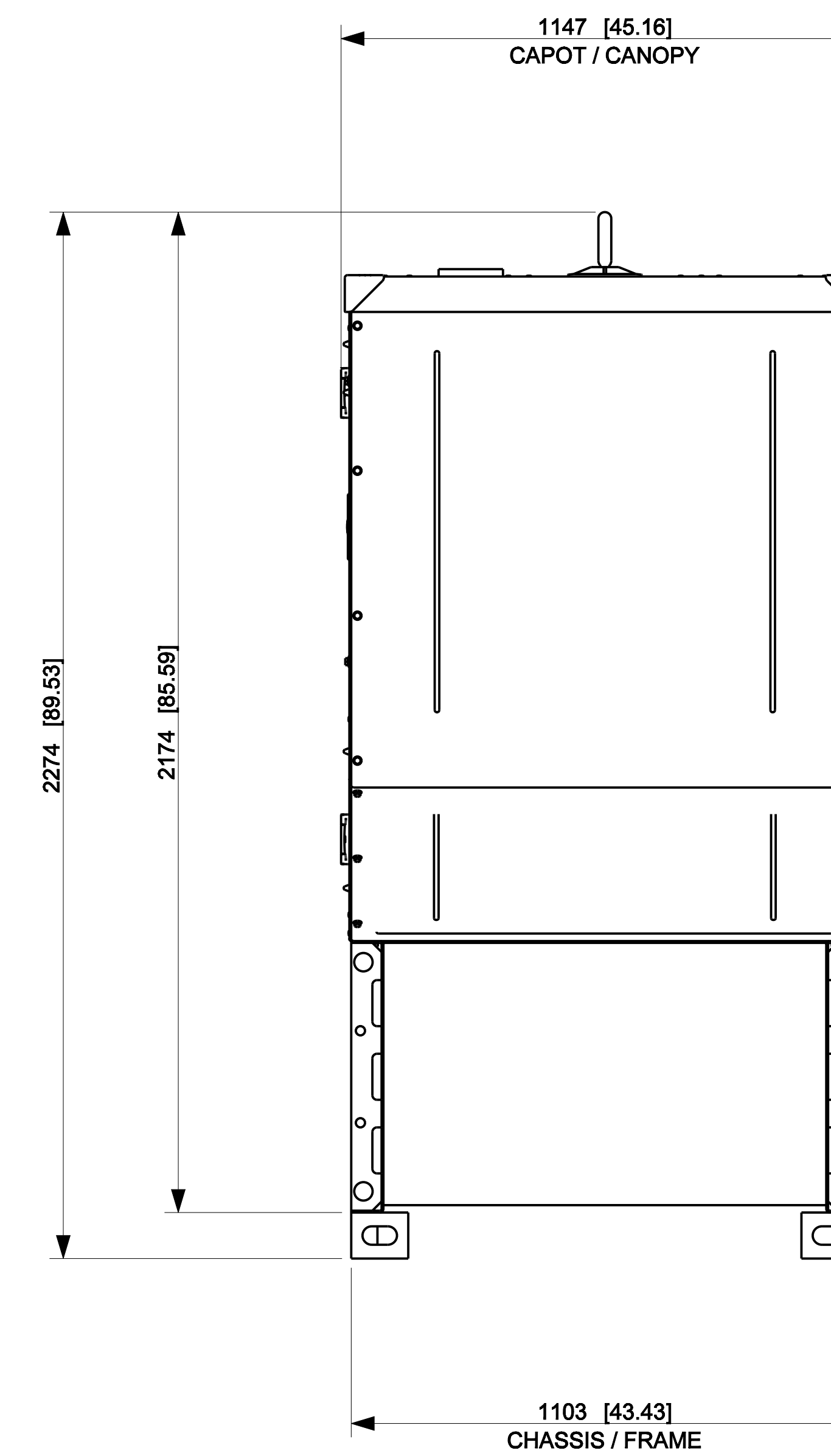
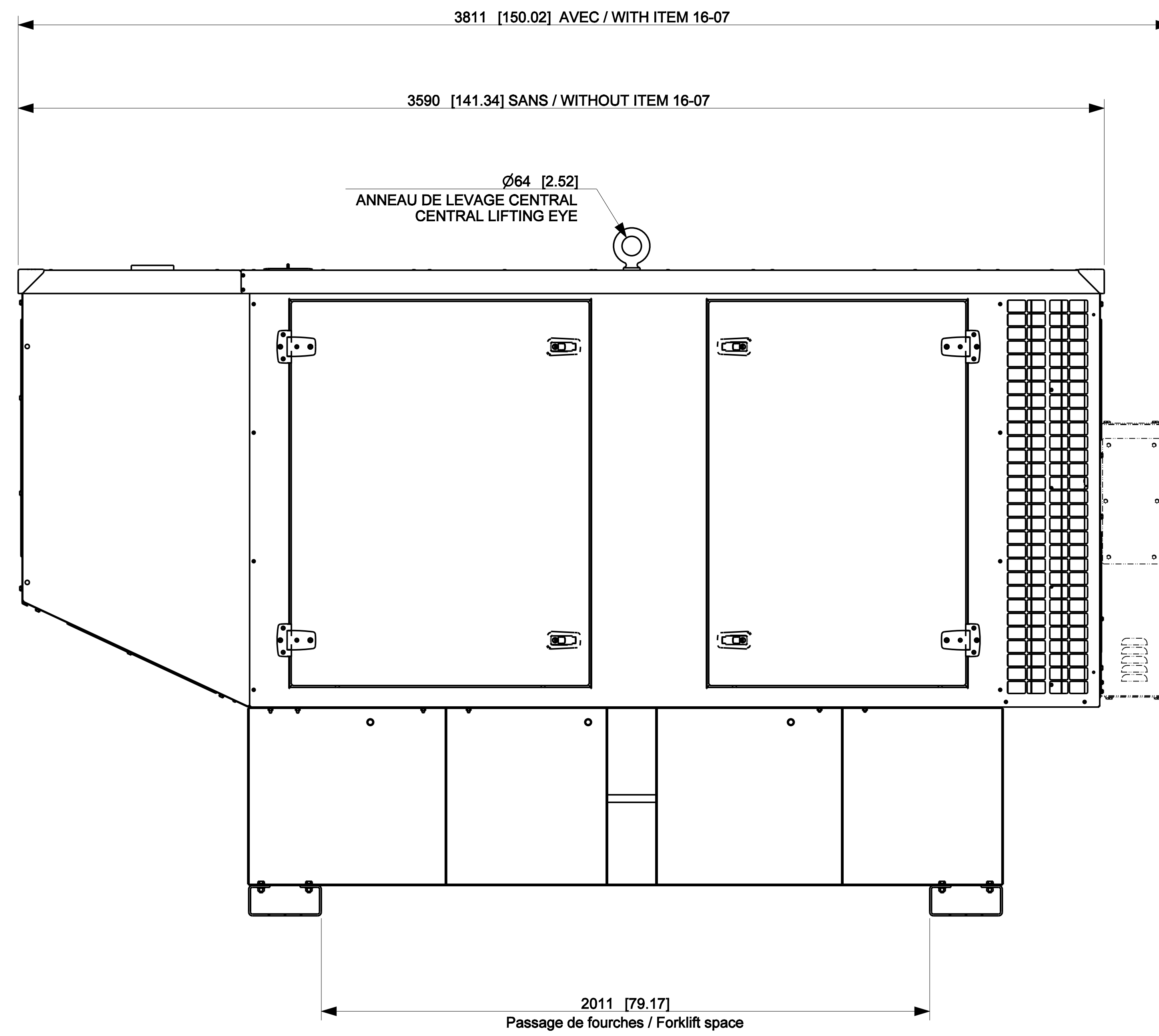
ITEM	DESCRIPTION	COMMENT.
09-02	SORTIE ECHAPPEMENT / EXHAUST OUTLET	Ø140 [5.51] ext. / o.d. Fournie avec joint, contre-bride à souder et visserie Delivery with gasket, counter-flange and hardware
16-07	BORNIER DE RACCORDEMENT DEPORTE REMOTE CONNECTION TERMINAL BOX	
16-08	SORTIE CABLES PUISSANCE / POWER CABLES OUTLET	

Ce plan vous est remis à titre indicatif et peut être révisé sans préavis.
This drawing is for informational purposes only and maybe changed whitout notice.

REV	DATE	CHANGEMENTS	BY	THIS ASSEMBLY OR PART MUST COMPLY WITH THE CAD MODEL FOR UNSPECIFIED DIMENSIONS.	
01	08AUG2025	RELEASE FOR PRODUCTION	STN		
THIS DRAWING IS DESIGN AND DETAIL IS BOMO INTELLECTUAL PROPERTY AND MUST NOT BE USED WITHOUT THE WRITTEN PERMISSION OF BOMO INTELLECTUAL PROPERTY. ALL RIGHTS OF DESIGN OR INVENTION ARE RESERVED.					

DIMENSIONS DE TRANSPORT
OVERALL DIMENSIONS FOR TRANSPORT

ATTENTION !! LA MANUTENTION DU GROUPE DOIT ETRE FAITE SANS LE PLEIN DE FUEL
WARNING !! HANDLING OF GENSET MUST BE MADE WITHOUT FUEL



18-10
ELEMENTS DE MANUTENTION POUR TRANSPORT UNIQUEMENT. A DEMONTER A
L'INSTALLATION DU GROUPE ELECTROGENE
HANDLING DEVICES ONLY FOR TRANSPORTATION. MUST BE UNFITTING IN ORDER
TO INSTALL THE GENERATING SET.

Ce plan vous est remis à titre indicatif et peut être révisé sans préavis.
This drawing is for informational purposes only and maybe changed without notice.

REV	DATE	CH COMPOSITE DWG, SEE PART NO. FOR REVISION LEVEL IF REVISIONS AFFECT DIMENSIONS	BY	THIS ASSEMBLY OR PART MUST COMPLY WITH THE ORIGINAL REFERENCE CAD MODEL FOR UNSPECIFIED DIMENSIONS
-	08SEP2025	RELEASE FOR PRODUCTION	STN	DO NOT SCALE.
UNLESS OTHERWISE SPECIFIED 1. DIMENSIONS ARE MILLIMETERS 2. DIMENSIONS IN PARENTHESES ARE IN INCHES AND DECIMALS THEREOF			DRAWING NUMBER: 30001471401	
DRAWN: STN			DATE:	08SEP2025
APPROVED: 30001471401			DIMENSION PRINT: M149 CANOPY, DW24H	
THIS DRAWING IN DESIGN AND DETAIL IS BOMI INTELLECTUAL PROPERTY AND MUST NOT BE USED OUTSIDE OF BOMI INTELLECTUAL PROPERTY. ALL RIGHTS OF DESIGN OR INVENTION ARE RESERVED.			30001471401	