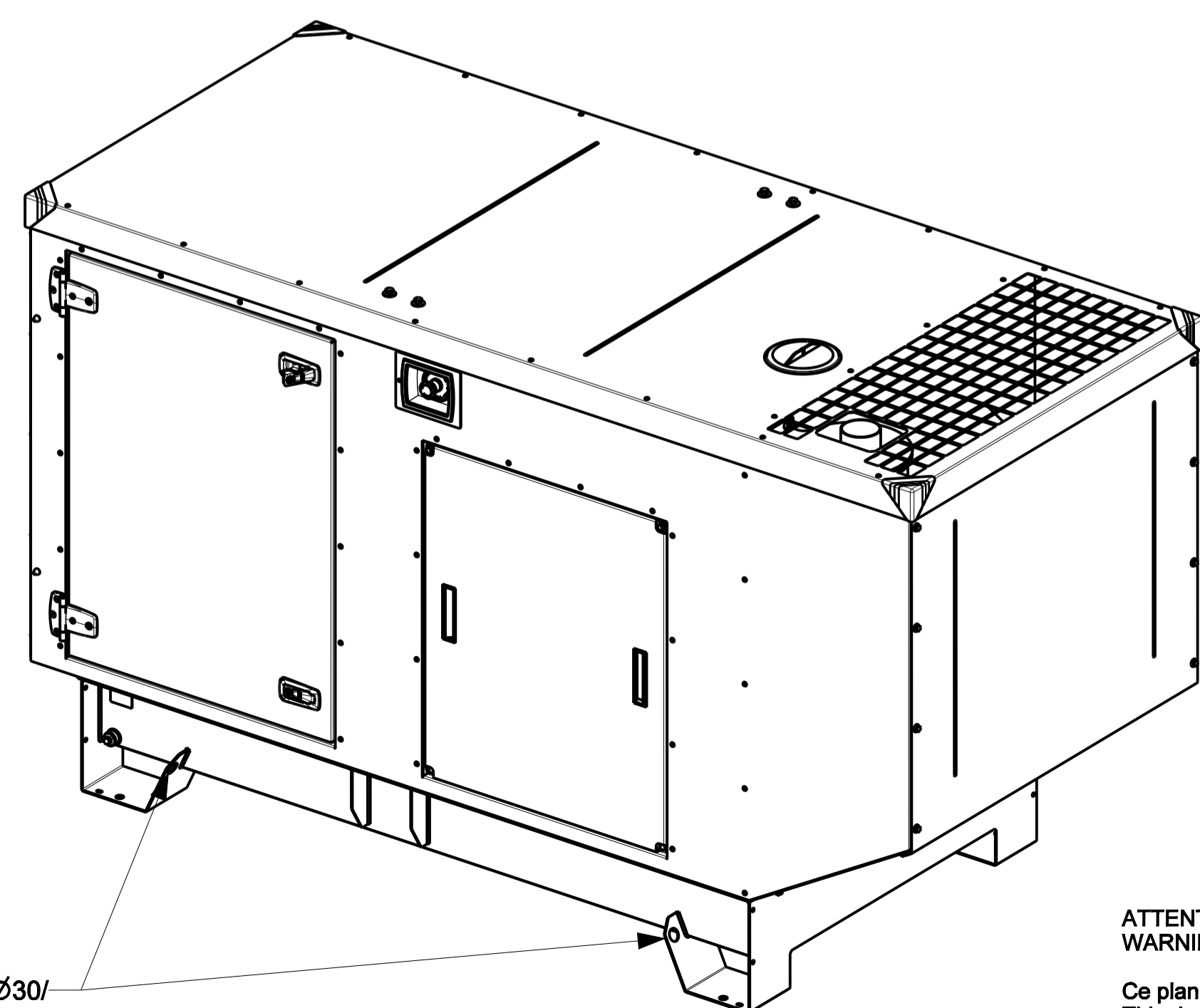


12	Porte accès carburant et maintenance Fuel and maintenance access door
11	Raccordement fuel pour réservoir séparé Alimentation fuel Ø10 / Retour fuel Ø08 Fuel connection for separate tank Fuel inlet Ø10 / Fuel return Ø08
10	Remplissage automatique réservoir Aspiration 3/4 BSP - Retour 3/4 BSP Automatic fuel tank Inlet 3/4 BSP - Return 3/4 BSP
9	Vidange réservoir 3/4"G Draining tank 3/4"G
8	Panneau démontable Removable panel
7	Porte accès pupitre Control panel access door
6	Passerelles câbles vers coffret puissance Ø90 Wires crossing toward power control Ø3.24
5	Arrêt d'urgence Emergency stop
4	Remplissage liquide de refroidissement Coolant filling
3	Sortie échappement Ø76 Exhaust outlet Ø2.99
2	Rejet d'air Air outlet
1	Entrée d'air Air inlet
REP	



MOTEUR ENGINE	ALTERNATEUR / ALTERNATOR	MASSE / WEIGHT (kg / lbs) +/- 5%		COG (mm / inch) OdM / Wet	
		A vide / Dry	OdM / Wet	CG Horizontal	CG Vertical
KD39L04T-AW-56	KH00592T	1280 / 2822	1460 / 3219	1350 / 53	650 / 26
	KH00593T	1280 / 2822	1460 / 3219	1350 / 53	650 / 26
	KH00755T	1300 / 2866	1480 / 3263	1370 / 54	640 / 25
KD39L04T-AA-56	KH00811T	1210 / 2668	1390 / 3064	1330 / 52	650 / 26
	KH00754T	1310 / 2888	1490 / 3285	1370 / 54	650 / 26
	KH01053T	1380 / 2042	1550 / 3417	1400 / 55	640 / 25

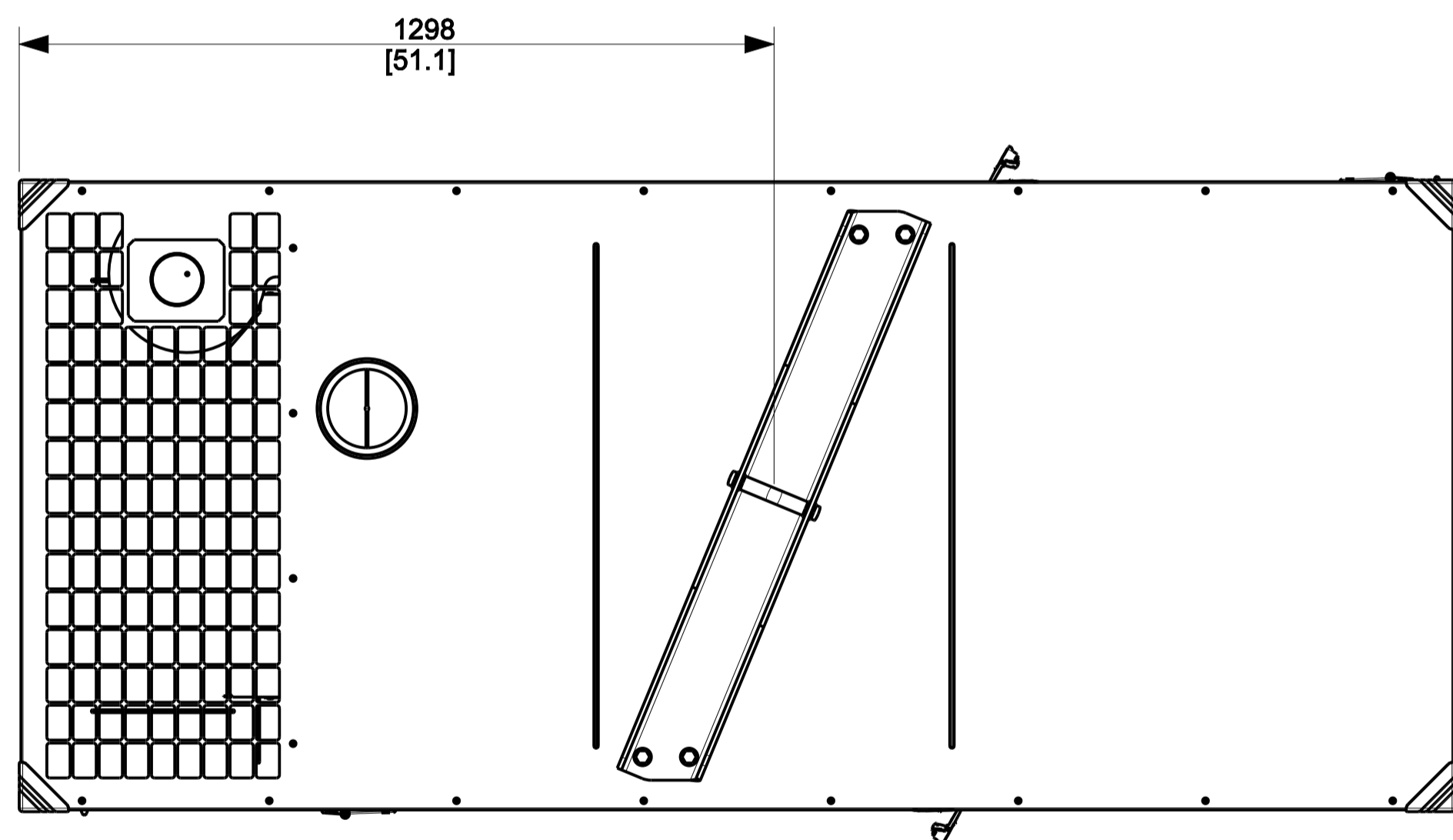
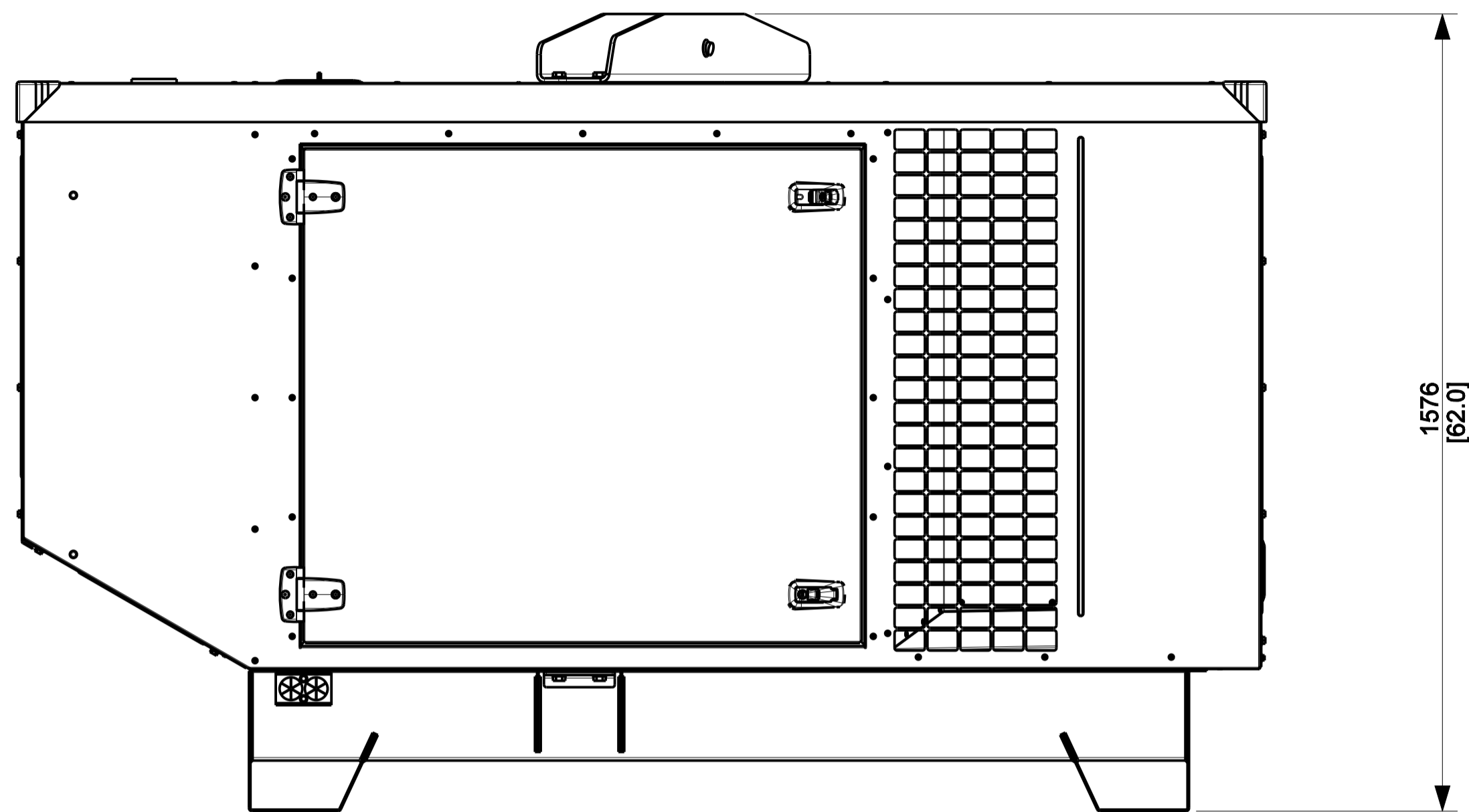
ATTENTION !! LA MANUTENTION DU GROUPE DOIT ETRE FAITE SANS LE PLEIN DE FUEL
WARNING !! HANDLING OF GENSET MUST BE MADE WITHOUT FUEL

Ce plan vous est remis à titre indicatif et peut être révisé sans préavis.
This drawing is for informational purposes only and maybe changed whitout notice.

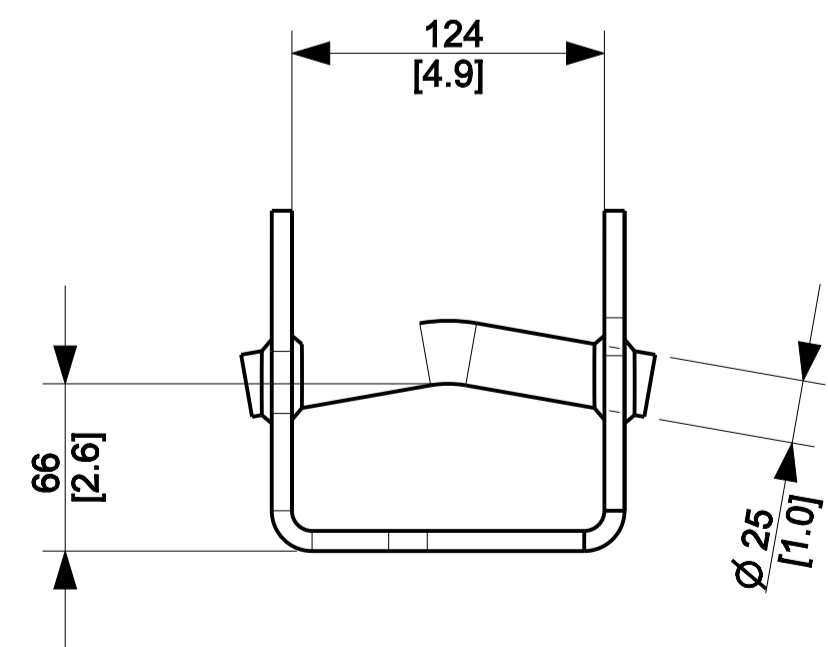
REV	DATE	ON COMPOSITE DWGS, SEE PART NO. FOR REVISION LEVEL C1 INDICATES PART NUMBERS AFFECTED BY LATEST DRAWING REVISION	BY	THIS ASSEMBLY OR PART MUST COMPLY WITH PEP-RML-001. REFERENCE CAD MODEL FOR UNSPECIFIED DIMENSIONS.	reihko
A	22JAN2025	RELEASE FOR PRODUCTION	SP		<small>UNLESS OTHERWISE SPECIFIED: 1) DIMENSIONS ARE IN MILLIMETERS 2) TOLERANCES: NF 9013650 CLA E</small>
B	30OCT2025	Add Note concerning lifting without fuel Update alternators references	MF		
DRAWN: SP		DATE: 22JAN2025	APPROVED: SEE PLM SYSTEM		<small>SCALE: 1:1 SHEET SIZE: A1</small> TITLE: DIMENSION PRINT, M147 CANOPY, FRAME STD <small>DWG NO. 30001568301</small>

ARCEAU DE LEVAGE CENTRAL
CENTRAL LIFTING ROLLBAR

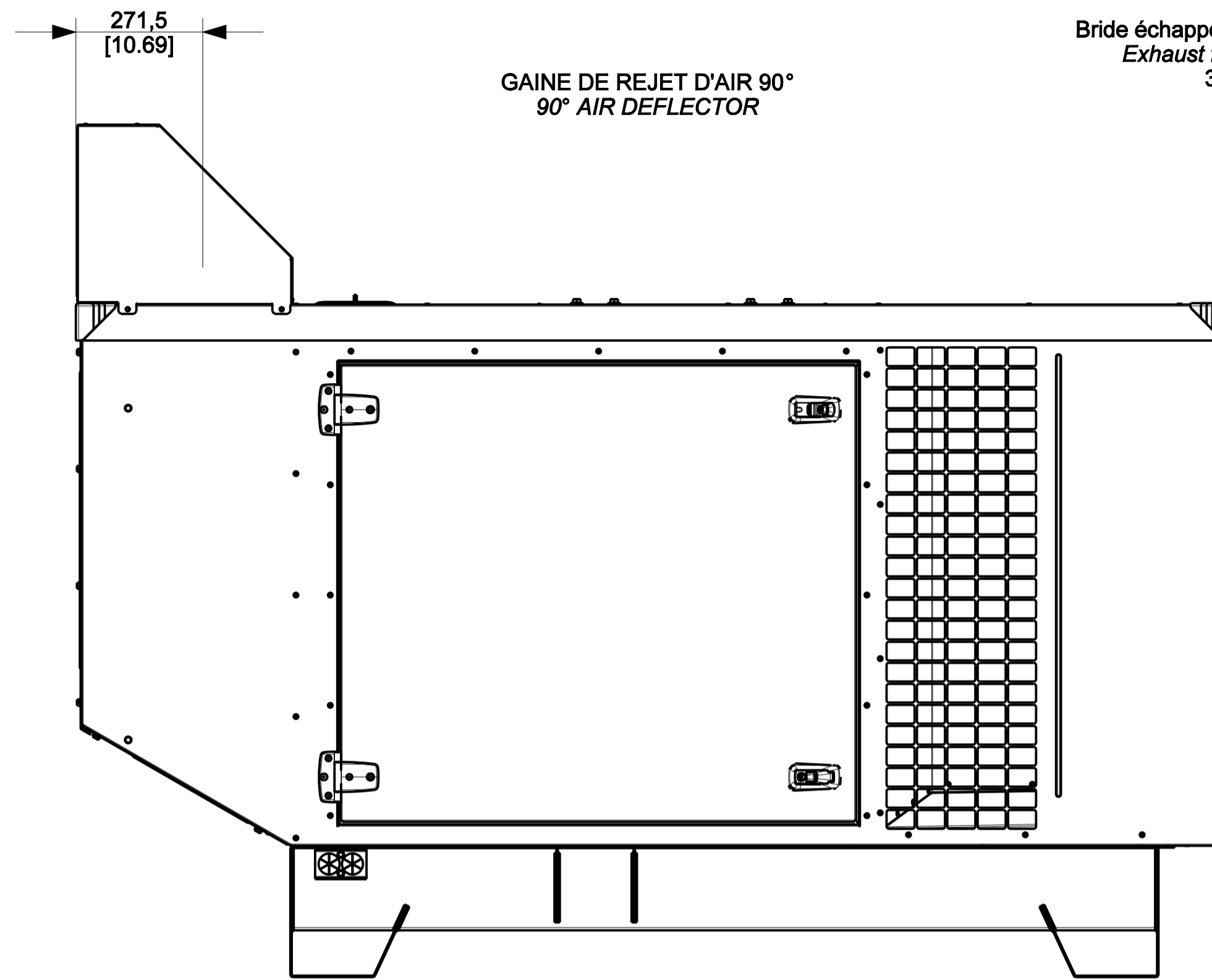
Masse: 25kg
weight: 55.11 lbs



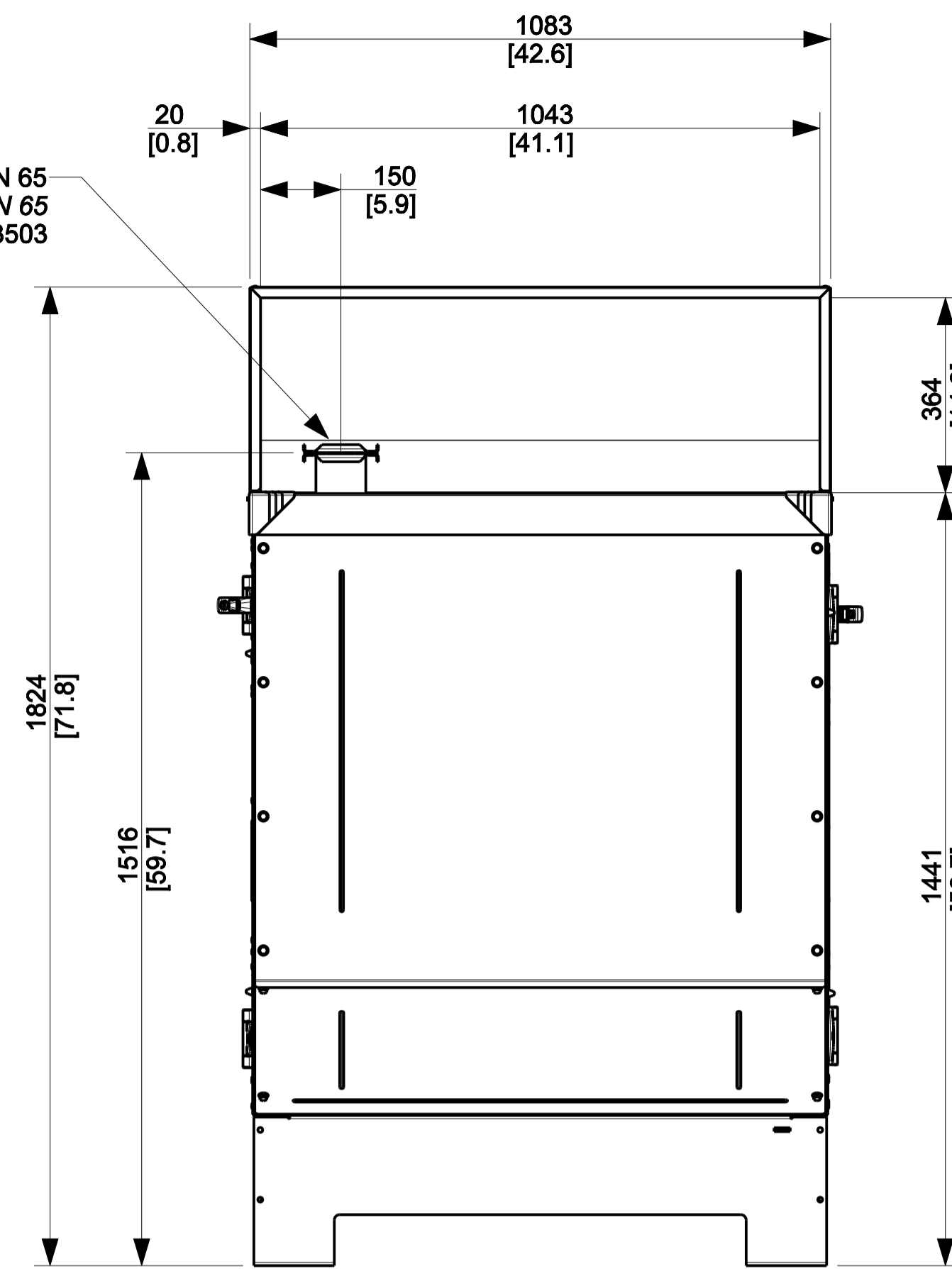
Détail point de levage
(Lifting base detail)



GAINE DE REJET D'AIR 90°
90° AIR DEFLECTOR



Bride échappement DN 65
Exhaust flange DN 65
31800003503



ATTENTION !! LA MANUTENTION DU GROUPE DOIT ETRE FAITE SANS LE PLEIN DE FUEL
WARNING !! HANDLING OF GENSET MUST BE MADE WITHOUT FUEL

Ce plan vous est remis à titre indicatif et peut être révisé sans préavis.
This drawing is for informational purposes only and maybe changed whitout notice.

REV	DATE	CH COMPORTE D'UNGS. SEE PART NO. FOR REVISION LEVEL. C1 INDICATES PART NUMBERS AFFECTED BY LATEST DRAWING REVISION	BY	DO NOT SCALE THIS ASSEMBLY OR PART MUST COMPLY WITH PEP-RM-001. REFERENCE CAD MODEL FOR UNSPECIFIED DIMENSIONS.	reihko
-	22JAN2025	RELEASE FOR PRODUCTION	SP		MAJOR 0 0 FIRST ANGLE PROJECTION
A	02OCT2025	Add Nota concerning lifting without fuel	MF		CRITICAL 0 0 CHARACTERISTICS COMPLY WITH XPS-80032
B	30OCT2025	Update alternators references	MF		UNLESS OTHERWISE SPECIFIED: 1) DIMENSIONS ARE IN MILLIMETERS 2) TOLERANCES: NF 9013650 CLA E
				SCALE: 1:1	SHEET SIZE: A1
				SHEET: 2 OF 2	
				DRAWN: SP DATE: 22JAN2025	
				APPROVED: SEE PLM SYSTEM	
				TITLE: DIMENSION PRINT, M147 CANOPY, FRAME STD	
				DWG NO: 30001568301	