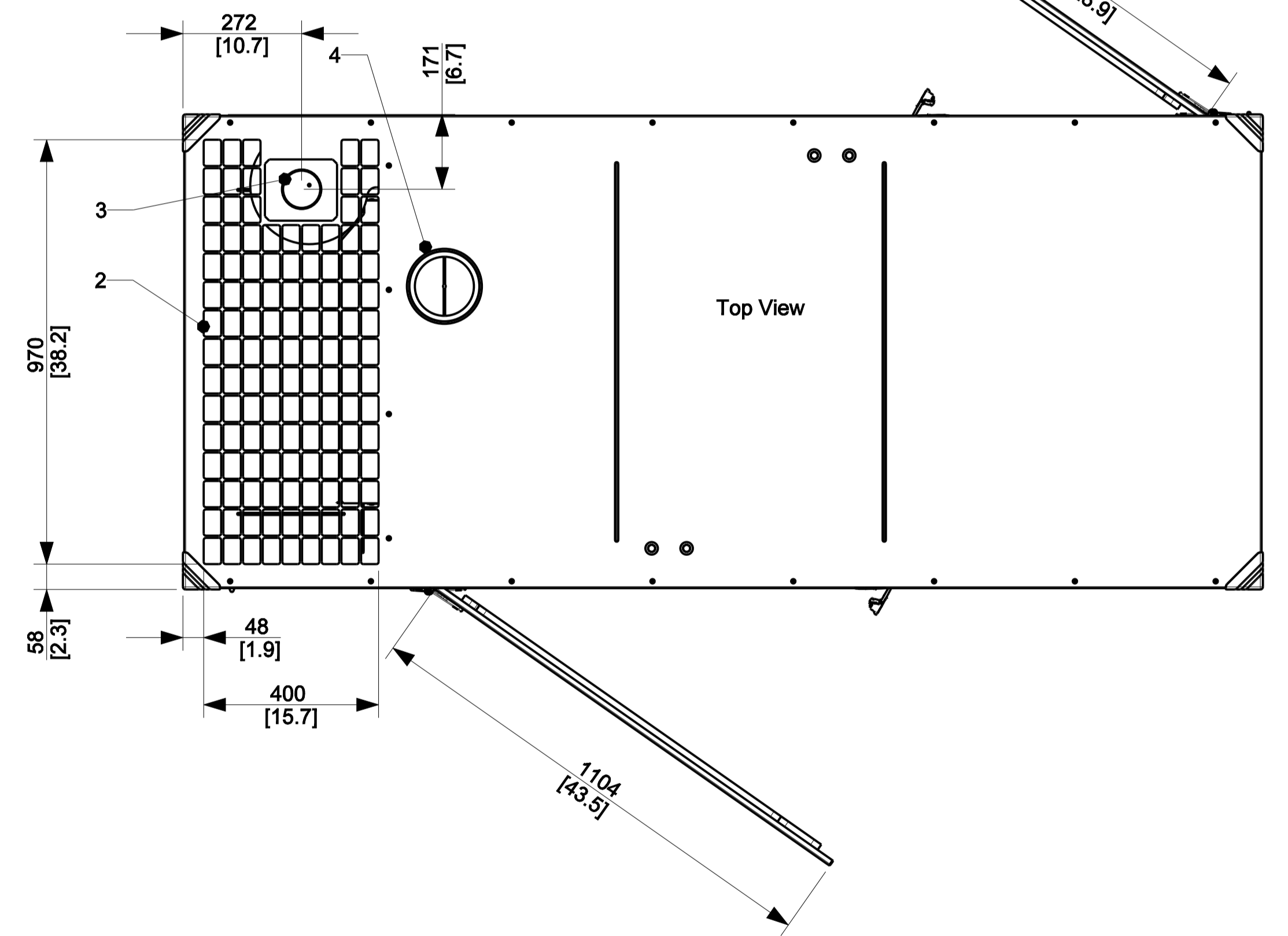


9	Porte accès carburant et maintenance Fuel and maintenance access door
8	Panneau démontable Removable panel
7	Porte accès pupitre Control panel access door
6	Passe câbles vers coffret puissance Ø90 Wires crossing toward power control Ø3.24
5	Arrêt d'urgence Emergency stop
4	Remplissage liquide de refroidissement Coolant filling
3	Sortie échappement Ø76 Exhaust outlet Ø2.99
2	Rejet d'air Air outlet
1	Entrée d'air Air inlet
REP	



MOTEUR ENGINE	ALTERNATEUR / ALTERNATOR	MASSE / WEIGHT (kg / lbs) +/- 5%		COG (mm / inch) Odm / Wet	
		A vide / Dry	Odm / Wet	CG Horizontal	CG Vertical
KD39L04T-AW-56	KH00592T	1540 / 3395	2430 / 5357	1250 / 49	710 / 28
	KH00593T	1540 / 3395	2430 / 5357	1250 / 49	710 / 28
	KH00755T	1560 / 3439	2450 / 5401	1260 / 50	710 / 28
KD39L04T-AA-56	KH00811T	1470 / 3241	2360 / 5203	1240 / 49	700 / 28
	KH00754T	1590 / 3505	2480 / 5468	1260 / 50	710 / 28
	KH01053T	1650 / 3638	2540 / 5600	1280 / 50	720 / 28

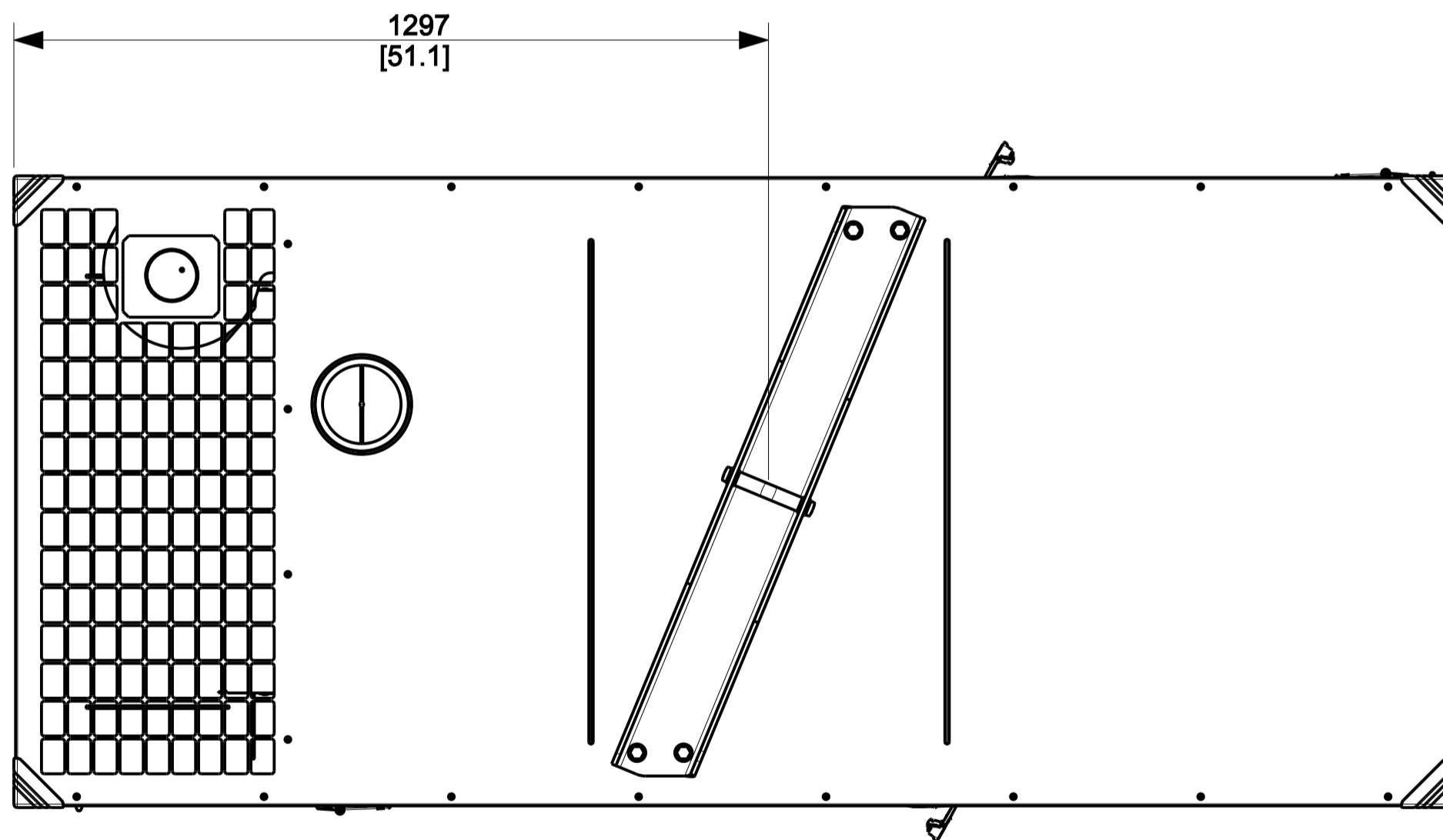
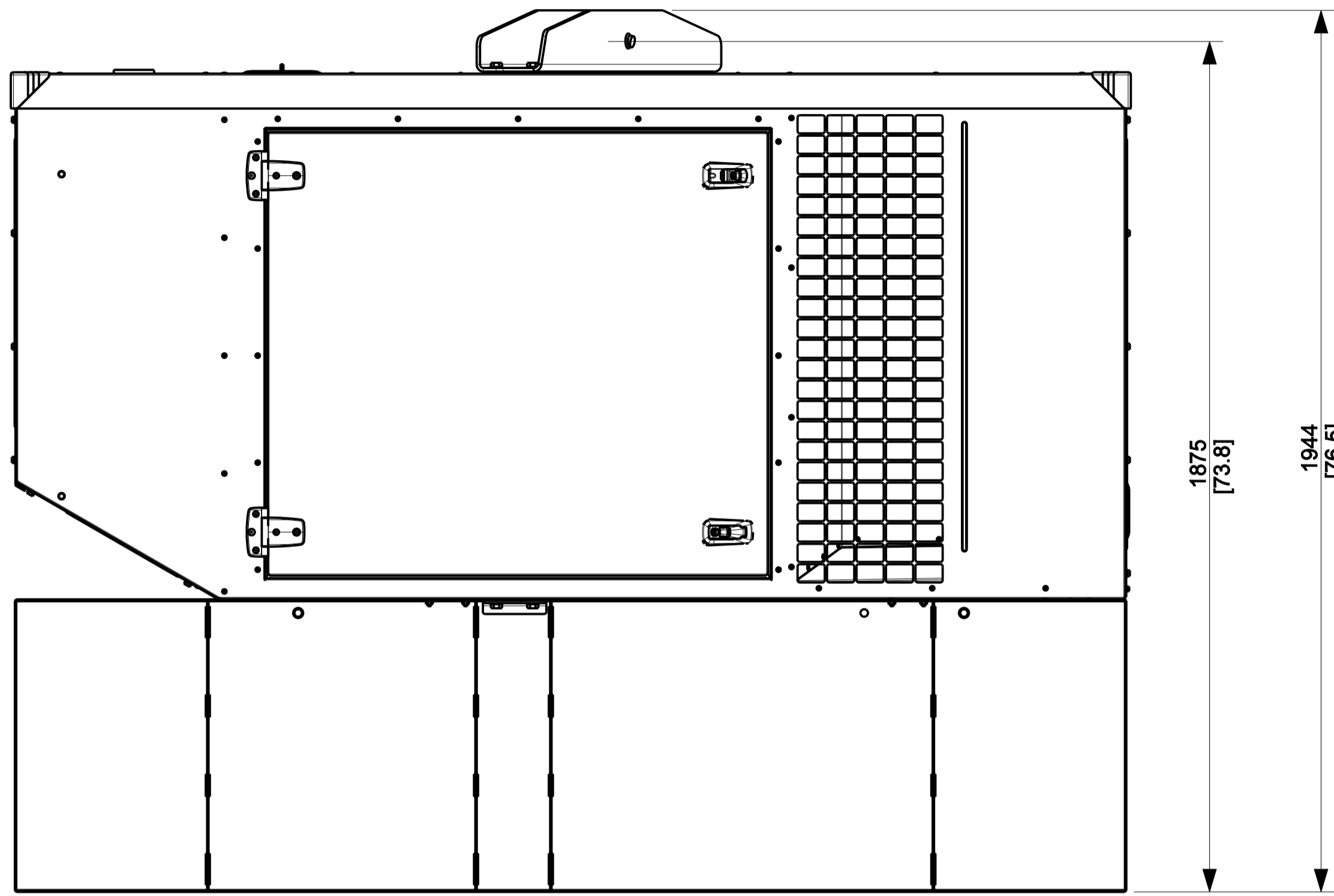
ATTENTION !! LA MANUTENTION DU GROUPE DOIT ETRE FAITE SANS LE PLEIN DE FUEL
WARNING !! HANDLING OF GENSET MUST BE MADE WITHOUT FUEL

Ce plan vous est remis à titre indicatif et peut être révisé sans préavis.
This drawing is for informational purposes only and maybe changed without notice.

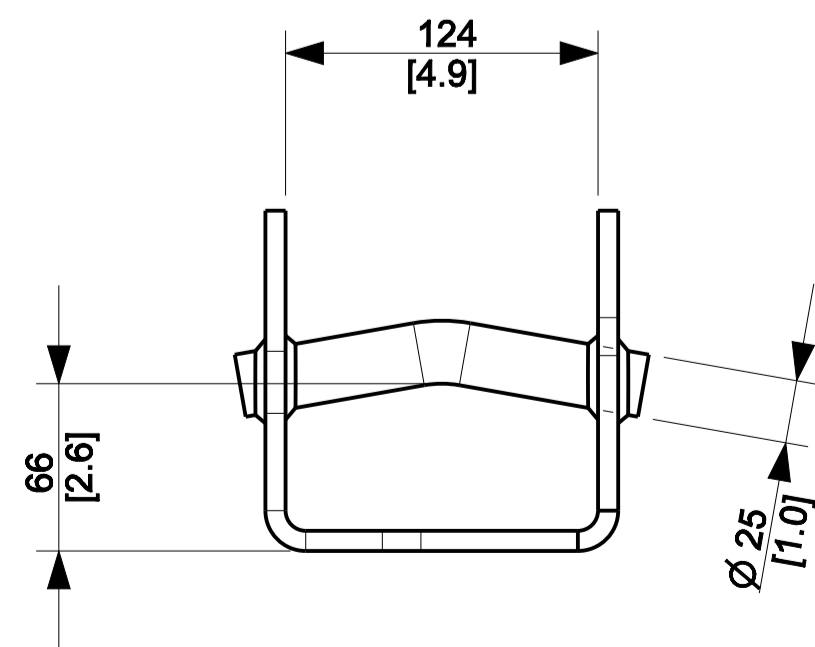
REV	DATE	ON COMPOSITE DWGS, SEE PART NO. FOR REVISION LEVEL C INDICATES PART NUMBERS AFFECTED BY LATEST DRAWING REVISION	BY	THIS ASSEMBLY OR PART MUST COMPLY WITH PEP-RML-001. REFERENCE CAD MODEL FOR UNSPECIFIED DIMENSIONS.	rehlko
A	05AUG2025	RELEASE FOR PRODUCTION	MF		
B	02OCT2025	Add note concerning lifting without fuel	MF		
	30OCT2025	Update alternators references	MF		
UNLESS OTHERWISE SPECIFIED: 1) DIMENSIONS ARE IN MILLIMETERS 2) TOLERANCES: NF 9013650-CLA E		SCALE: 1:10	SHEET SIZE: A1	SHEET: 1 OF 3	TITLE: DIMENSION PRINT, M147 CANOPY, DW48H
DRAWN: MF		DATE: 05AUG2025	APPROVED: SEE PLM SYSTEM	DWG NO. 30001568401	

ARCEAU DE LEVAGE CENTRAL
CENTRAL LIFTING ROLLBAR

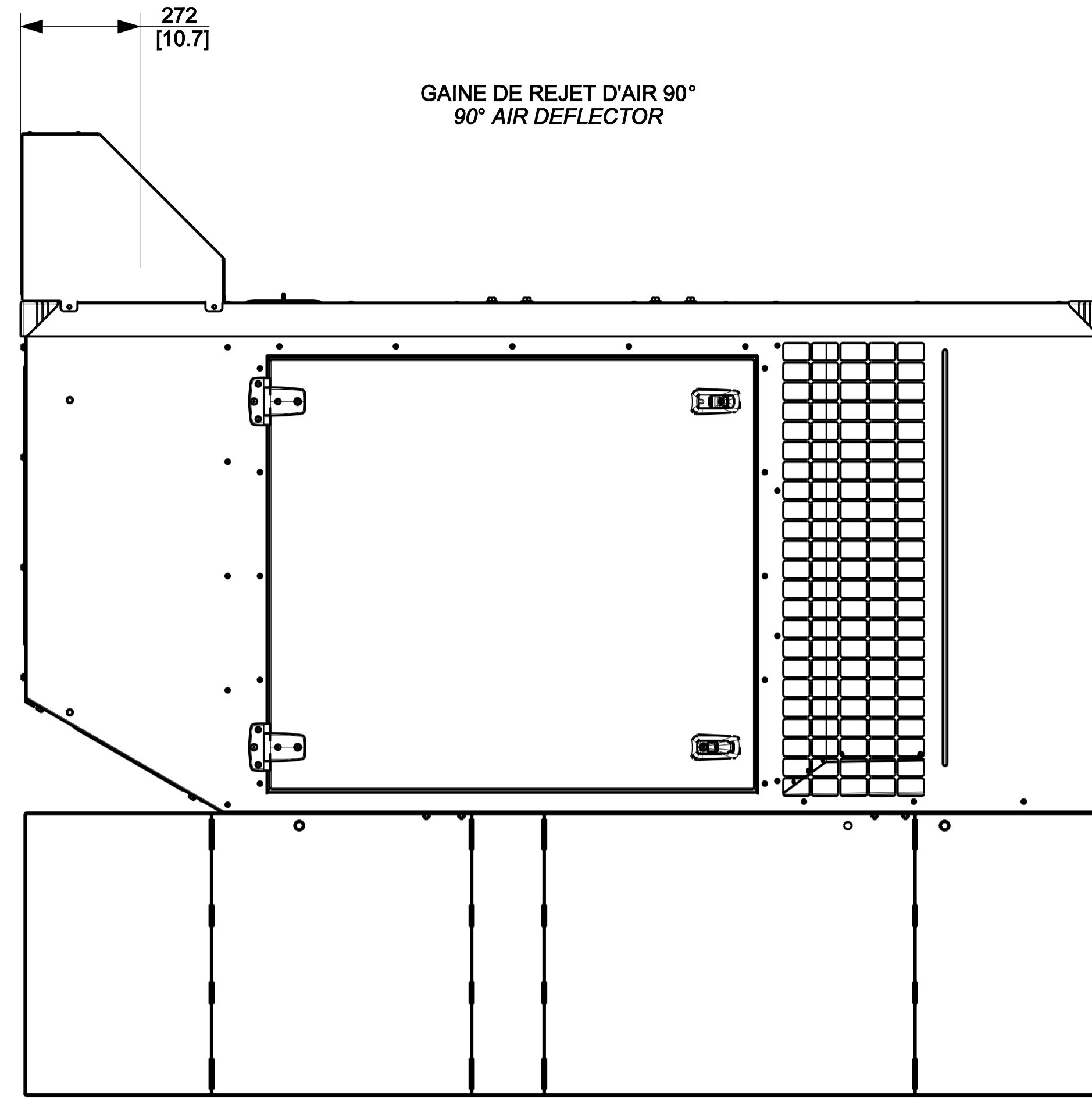
Masse: 25kg
weight: 55.11 lbs



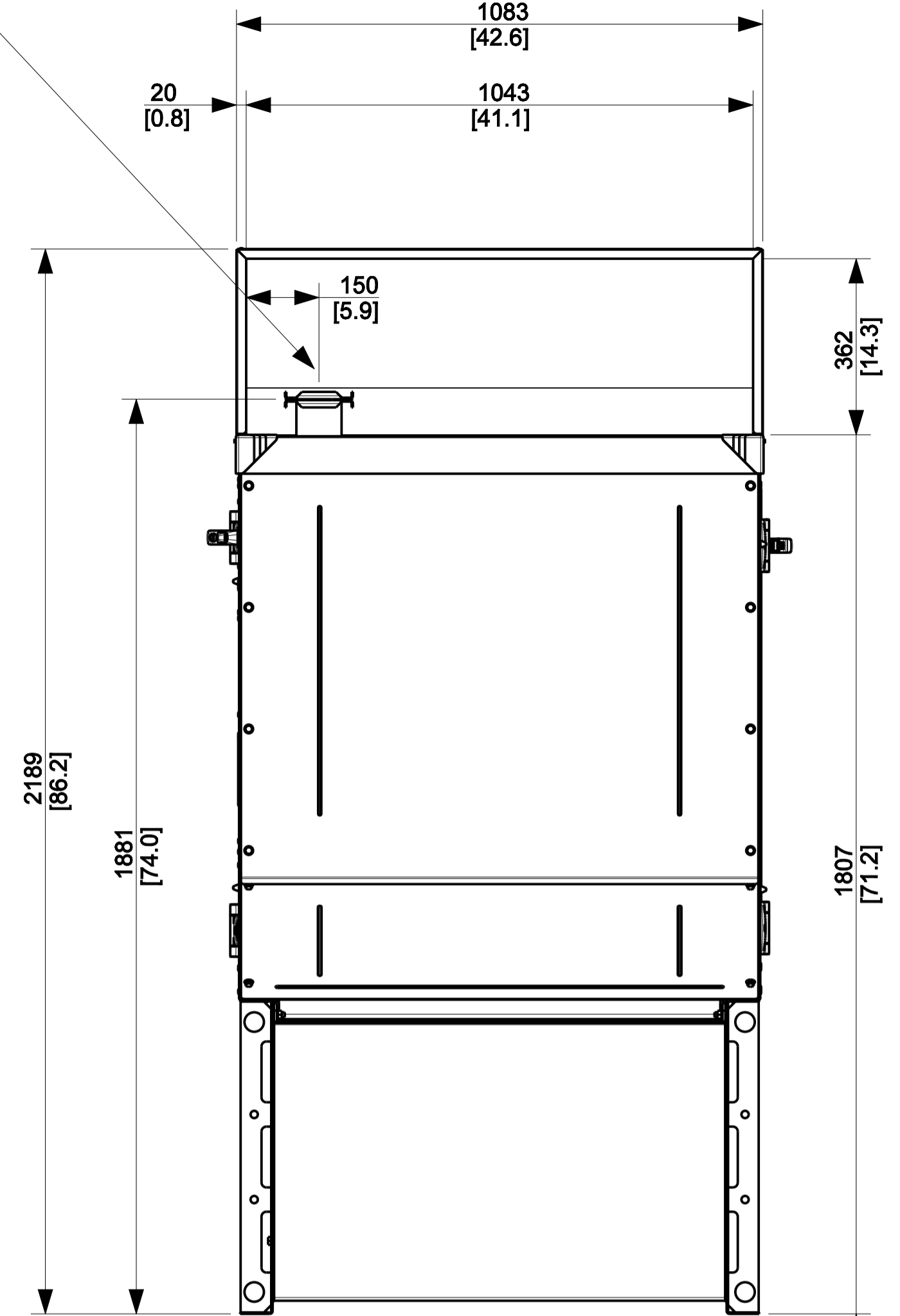
Détail point de levage
(Lifting base detail)



GAINÉ DE REJET D'AIR 90°
90° AIR DEFLECTOR



Bride échappement DN 65
Exhaust flange DN 65
31800003503



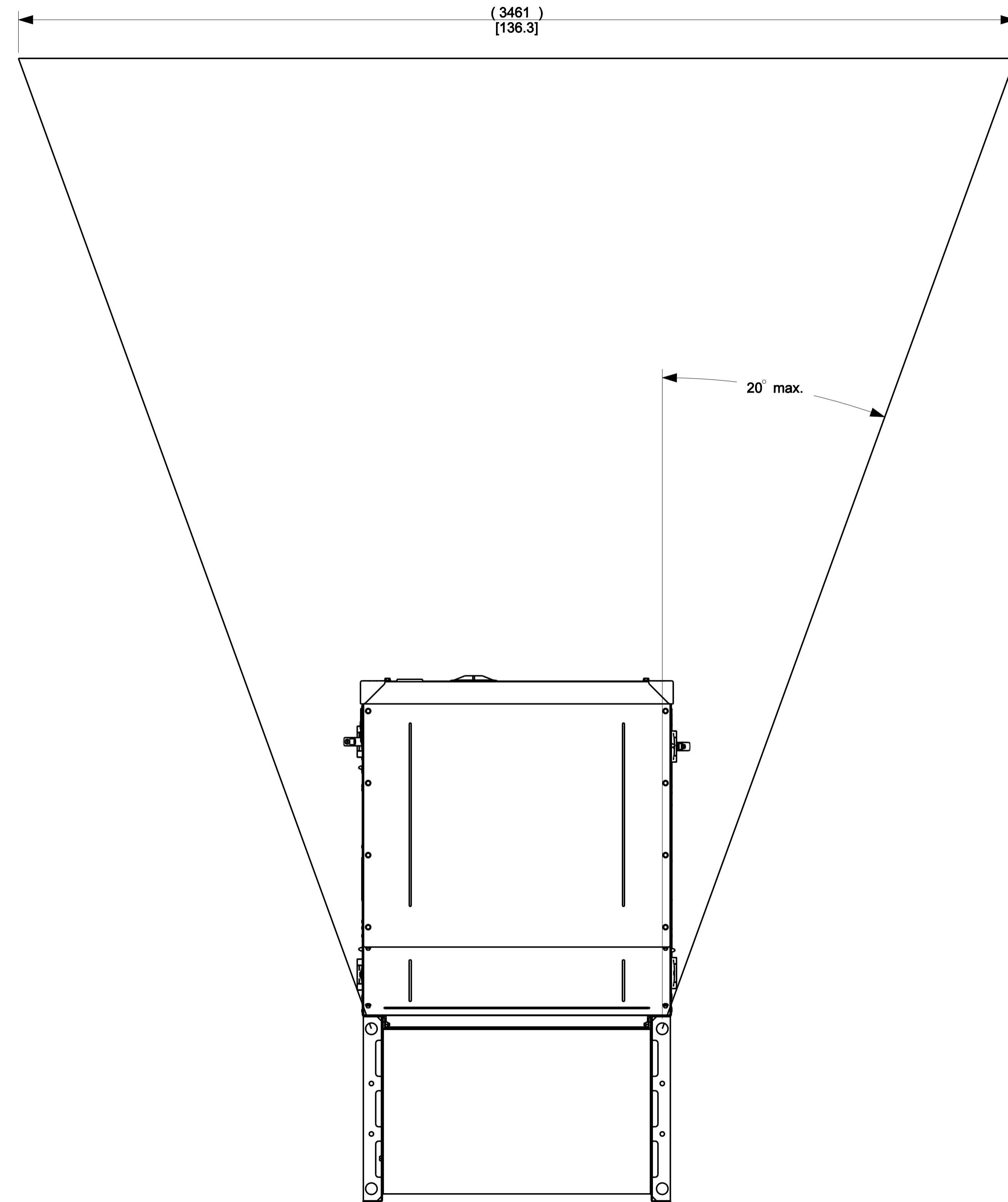
ATTENTION !! LA MANUTENTION DU GROUPE DOIT ETRE FAITE SANS LE PLEIN DE FUEL
WARNING !! HANDLING OF GENSET MUST BE MADE WITHOUT FUEL

Ce plan vous est remis à titre indicatif et peut être révisé sans préavis.
This drawing is for informational purposes only and maybe changed whitout notice.

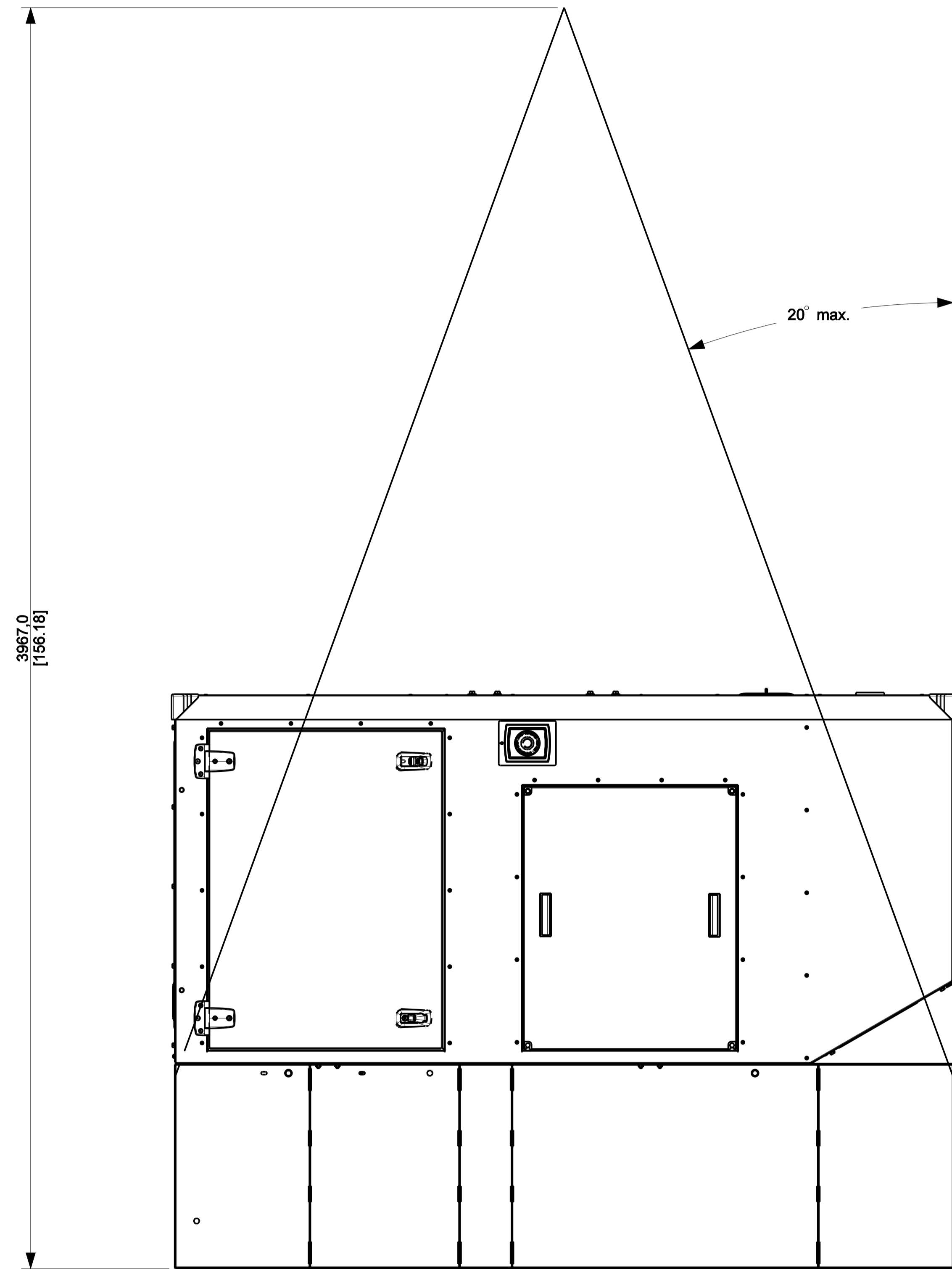
REV	DATE	ON COMPOSITE DWGS, SEE PART NO. FOR REVISION LEVEL. C1 INDICATES PART NUMBERS AFFECTED BY LATEST DRAWING REVISION.	BY	THIS ASSEMBLY OR PART MUST COMPLY WITH PEP-RM-001. REFERENCE CAD MODEL FOR UNSPECIFIED DIMENSIONS.	rehlko
-	05AUG2025	RELEASE FOR PRODUCTION	MF		MAJOR 0
A	02OCT2025	Add note concerning lifting without fuel	MF		CRITICAL 0
B	30OCT2025	Update alternators references	MF		CHARACTERISTICS COMPLY WITH IFS-80032
					SCALE: 1:10 SHEET SIZE: A1
					TITLE: DIMENSION PRINT, M147 CANOPY, DW48H
					DWG NO.: 30001568401
					THIS DRAWING IN DESIGN AND DETAIL IS SOMO INDUSTRIES PROPERTY AND MUST NOT BE USED EXCEPT IN CONNECTION WITH SOMO INDUSTRIES WORK. ALL RIGHTS OF DESIGN OR INVENTION ARE RESERVED.

LIFTING WITHOUT CENTRAL LIFTING ROLLBAR

FRONT VIEW



RIGHT VIEW



ATTENTION !! LA MANUTENTION DU GROUPE DOIT ETRE FAITE SANS LE PLEIN DE FUEL
 WARNING !! HANDLING OF GENSET MUST BE MADE WITHOUT FUEL

Ce plan vous est remis à titre indicatif et peut être révisé sans préavis.
 This drawing is for informational purposes only and maybe changed whitout notice.

REV	DATE	ON COMPOSITE DWGS, SEE PART NO. FOR REVISION LEVEL. C1 INDICATES PART NUMBERS AFFECTED BY LATEST DRAWING REVISION	BY	THIS ASSEMBLY OR PART MUST COMPLY WITH PEP-RM-001. REFERENCE CAD MODEL FOR UNSPECIFIED DIMENSIONS.	
-	05AUG2025	RELEASE FOR PRODUCTION	MF		MAJOR 0 0 FIRST ANGLE PROJECTION
A	02OCT2025	Add note concerning lifting without fuel	MF		CRITICAL 0 0 CHARACTERISTICS COMPLY WITH XPS-0002
B	30OCT2025	Update alternators references	MF		UNLESS OTHERWISE SPECIFIED: 1) DIMENSIONS ARE IN MILLIMETERS 2) TOLERANCES: NF 9013650 CLA E
					SCALE: 1:10 SHEET SIZE: A1 SHEET: 3 OF 3
					TITLE: DIMENSION PRINT, M147 CANOPY, DW48H
					DWG NO. 30001568401
					THIS DRAWING IN DESIGN AND DETAIL IS SOMO INDUSTRIES PROPERTY AND MUST NOT BE USED EXCEPT IN CONNECTION WITH SOMO INDUSTRIES WORK. ALL RIGHTS OF DESIGN OR INVENTION ARE RESERVED.